

---

# CMOS single-chip 8-bit MCU with 10-bit A/D converter and LCD driver



## A96R725

### Data Sheet

V 1.00

#### Main features

- **8-bit Microcontroller With High Speed 8051 CPU**
- **Basic MCU Function**
  - 12Kbytes Flash Code Memory
  - 256bytes SRAM(IRAM 256bytes)
- **Built-in Analog Function**
  - Power-On Reset and Low Voltage Detect Reset
  - Internal 8 MHz HFIRC Oscillator ( $\pm 1.0\%$ ,  $T_A = -10 \sim +55^\circ\text{C}$ , User trim)
  - Internal 32 kHz LFIRC Oscillator ( $\pm 10.0\%$ ,  $T_A = -10 \sim +55^\circ\text{C}$ )
  - Watchdog Timer RC Oscillator (5kHz)
- **Peripheral Features**
  - 10-bit Analog to Digital Converter (8 inputs)
  - LCD Driver (26 Segments x 8 Commons)
  - 16-bit CRC/Checksum Generator
  - Built-in Transistor for IR LED Drive
- **I/O and Packages**
  - 6 I/O, 39 Shared I/O with LCD signal
  - 50Pin, 48LQFP
  - Pb-free package
- **Operating Conditions**
  - 1.8V to 3.6V Wide Voltage Range
  - $-40^\circ\text{C}$  to  $85^\circ\text{C}$  Temperature Range
- **Application**
  - Home appliance, Industrial Control

08 May, 2023

---

## Revision history

Version	Date	Revision list
<b>1.0</b>	2018.09.07	Published this book.
<b>1.00</b>	2023.05.08	Changed the format of the revision number to "X.YY" according to internal policy.

# 1 Overview

## 1.1 Description

The A96R725 is advanced CMOS 8-bit microcontroller with 12Kbytes of FLASH. This is powerful microcontroller which provides a highly flexible and cost effective solution to many embedded control applications. This provides the following features : 12Kbytes of FLASH, 256bytes of IRAM, general purpose I/O, basic interval timer, watchdog timer, 8/16-bit timer/counter, carrier generation, watch timer, 10-bit A/D converter, LCD driver, 16-bit CRC/Checksum Generator, Built-in Transistor for I.R LED Drive, Built-in Transistor for LCD Back Light Drive, on-chip POR, LVR, LVI, on-chip oscillator and clock circuitry. The A96R725 also supports power down modes to reduce power consumption.

Device Name	FLASH	IRAM	ADC	I/O PORT	Package
A96R725	12Kbytes	256bytes	8inputs	45	50-Pellet
A96R725CL			8inputs	45	48LQFP-0707

Table 1.1 Ordering Information of A96R725

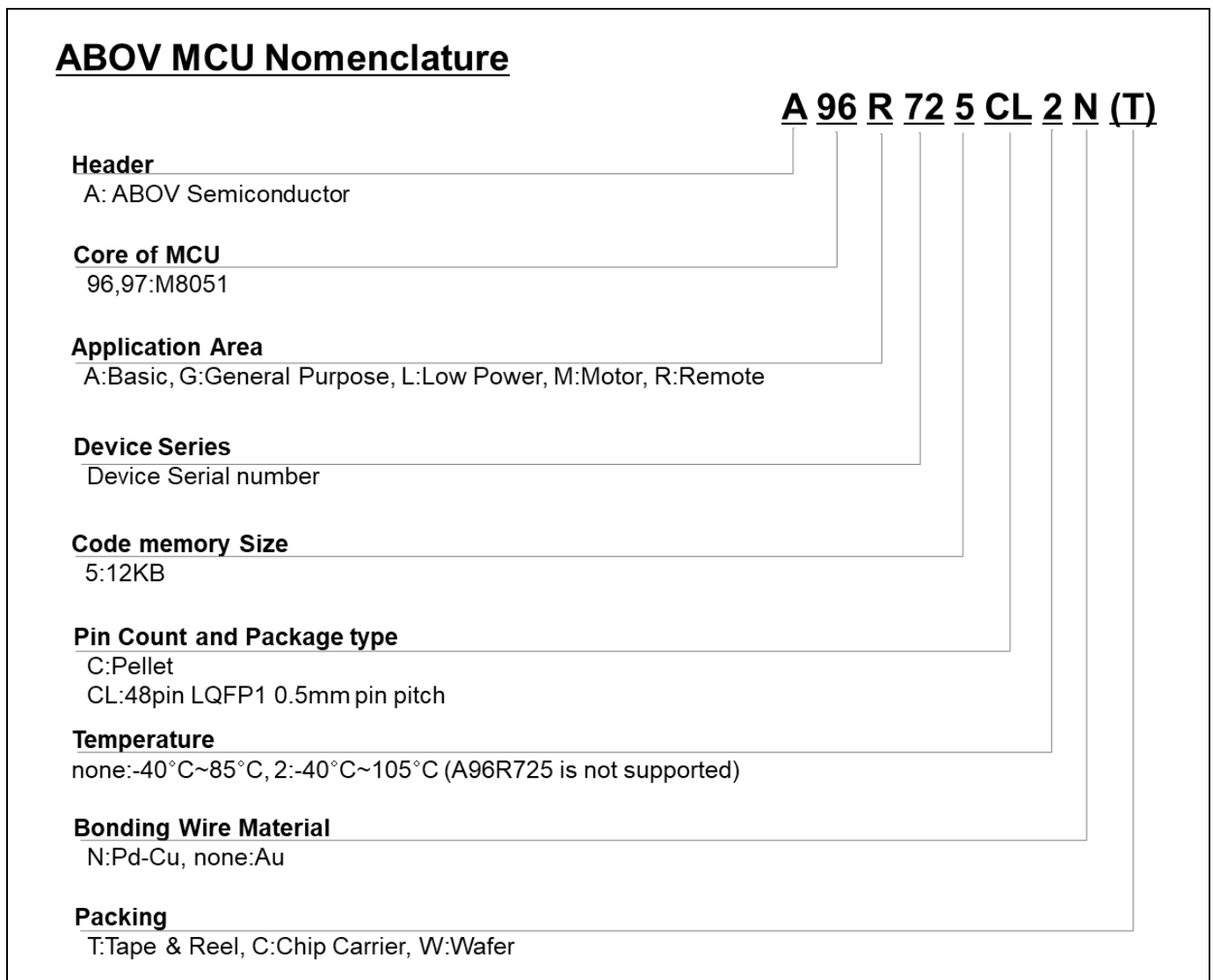


Figure 1.1 Device Nomenclature

## 1.2 Features

- **CPU**
  - 8-bit CISC core (M8051, 2 clocks per cycle)
- **ROM (FLASH) Capacity**
  - 12Kbytes Flash with self read/write capability
  - On Chip debug and In-System Programming(ISP)
  - Endurance : 10,000 times(Sector 0~375)  
100,000 times(Sector 376~383)
  - Retention : 10 years
- **256bytes SRAM**
  - Excluding 32bytes for LCD display
- **General Purpose I/O (GPIO)**
  - Normal I/O : 6 Ports (P4[5:0])
  - LCD shared I/O : 39 Ports (P0[7:0], P1[7:0], P2[7:0], P3[7:0], P5[6:0])
- **Basic Interval Timer (BIT)**
  - 8-bitx 1-ch
- **Watch Dog Timer (WDT)**
  - 8-bitx 1-ch
  - 5kHz internal RC oscillator
- **Timer/Counter**
  - 8-bitx 2-ch(T0/T1), 16-bitx 2-ch (T2/T3)
  - 16-bit Interval Timer x 1ch
- **Carrier Generation**
  - Carrier generation (by T1), T3 Clock source
- **Programmable Pulse Generation**
  - Pulse generation (by T2/T3)
- **Watch Timer (WT)**
  - 3.91ms/0.25s/0.5s/1s/1min interval at 32.768kHz
- **10-bit A/D Converter**
  - 8 Input channels
- **LCD Driver**
  - 26 Segments and 8 Common
  - 1/2, 1/3, 1/4, 1/5, 1/6, 1/8 duty selectable
  - Voltage booster and 10-step contrast control
  - Internal/External resistor bias
- **16-Bit CRC/Checksum Generator**
  - Auto and User CRC/Checksum mode
- **Built-in Transistor for I.R LED Drive**
  - IOL = 630mA at 3V and VOL = 1.0V
- **Built-in Transistor for LCD Back Light Drive**
  - 2Pins, IOL = 10/20/30[mA] at 3V and VOL = 1.0V
- **Inverter Amplifier**
  - 3-ch high-gain inverter amplifiers
- **Power On Reset**
  - Reset release level (1.2V)
- **Low Voltage Reset**
  - 4 level detect (1.62V, 2.0V, 2.4V, 2.68V)
- **Low Voltage Indicator**
  - 3 level detect (2.0V, 2.4V, 2.68V)
- **Interrupt Sources**
  - External Interrupts (EINT0 ~ EINT7, EINT12, EINT13) (10)
  - Timer0/1/2/3 (4), Interval Timer (1)
  - WDT (1), BIT (1), WT (1)
  - ADC (1), , LVI (1)
- **Internal RC Oscillator**
  - HFIRC frequency:  
8MHz  $\pm$ 1.0% (TA= -10 ~ +55°C, User trim)
  - LFIRC frequency:  
32kHz  $\pm$ 10.0% (TA= -10 ~ +55°C)
- **Power Down Mode**
  - STOP, IDLE mode
- **Operating Voltage and Frequency**
  - 1.8V ~ 3.6V (@ 32 ~ 38kHz with SX-tal)
  - 2.0V ~ 3.6V (@ 0.4 ~ 4.2MHz with X-tal, Crystal)
  - 1.8V ~ 3.6V (@ 0.4 ~ 4.2MHz with X-tal, Ceramic)
  - 2.4V ~ 3.6V (@ 0.4 ~ 8.0MHz with X-tal)
  - 3.0V ~ 3.6V (@ 0.4 ~ 12.0MHz with X-tal)
  - 1.8V ~ 3.6V (@ 0.5MHz ~ 8.0MHz with HFIRC)
  - 1.8V ~ 3.6V (@ 4.0kHz ~ 32.0kHz with LFIRC)
  - Voltage dropout converter included for core
- **Minimum Instruction Execution Time**
  - 167ns (@12MHz main clock)
  - 61us (@ 32.768kHz sub clock)
- **Operating Temperature**
  - -40 ~ +85°C
- **Oscillator Type**
  - 0.4-12MHz Crystal or Ceramic for main clock
  - 32.768kHz Crystal for sub clock
- **Package Type**
  - 50-Pin Pellet
  - 48-Pin LQFP-0707
  - Pb-free package

### 1.3 Development tools

#### 1.3.1 Compiler

We do not provide the compiler. Please contact the third parties.

The core of A96R725 is Mentor 8051. And, device ROM size is smaller than 12Kbytes. Developer can use all kinds of third party's standard 8051 compiler.

#### 1.3.2 OCD(On-chip debugger) emulator and debugger

The OCD (On Chip Debug) emulator supports ABOV Semiconductor's 8051 series MCU emulation.

The OCD interface uses two-wire interfacing between PC and MCU which is attached to user's system. The OCD can read or change the value of MCU internal memory and I/O peripherals. And the OCD also controls MCU internal debugging logic, it means OCD controls emulation, step run, monitoring, etc.

The OCD Debugger program works on all Microsoft-Windows operating system.

If you want to see more details, please refer to OCD debugger manual. You can download debugger S/W and manual from our web-site(<http://www.abov.co.kr>).

Connection:

- DSCL (A96R725 P20 port)
- DSDA (A96R725 P17 port)

OCD connector diagram: Connect OCD with user system

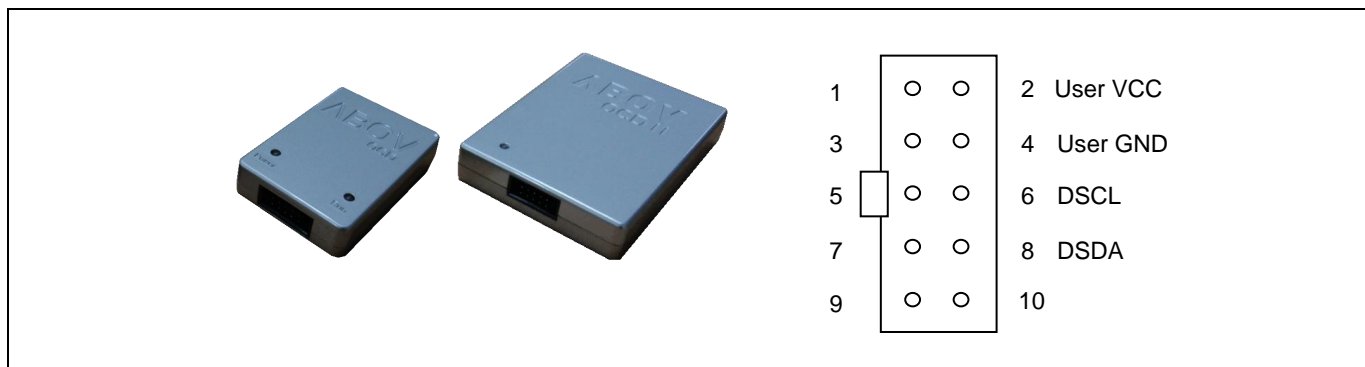


Figure 1.2 Debugger(OCD1/OCD2) and Pin description

### 1.3.3 Programmer

Single programmer :

E-PGM+ : It programs MCU device directly.

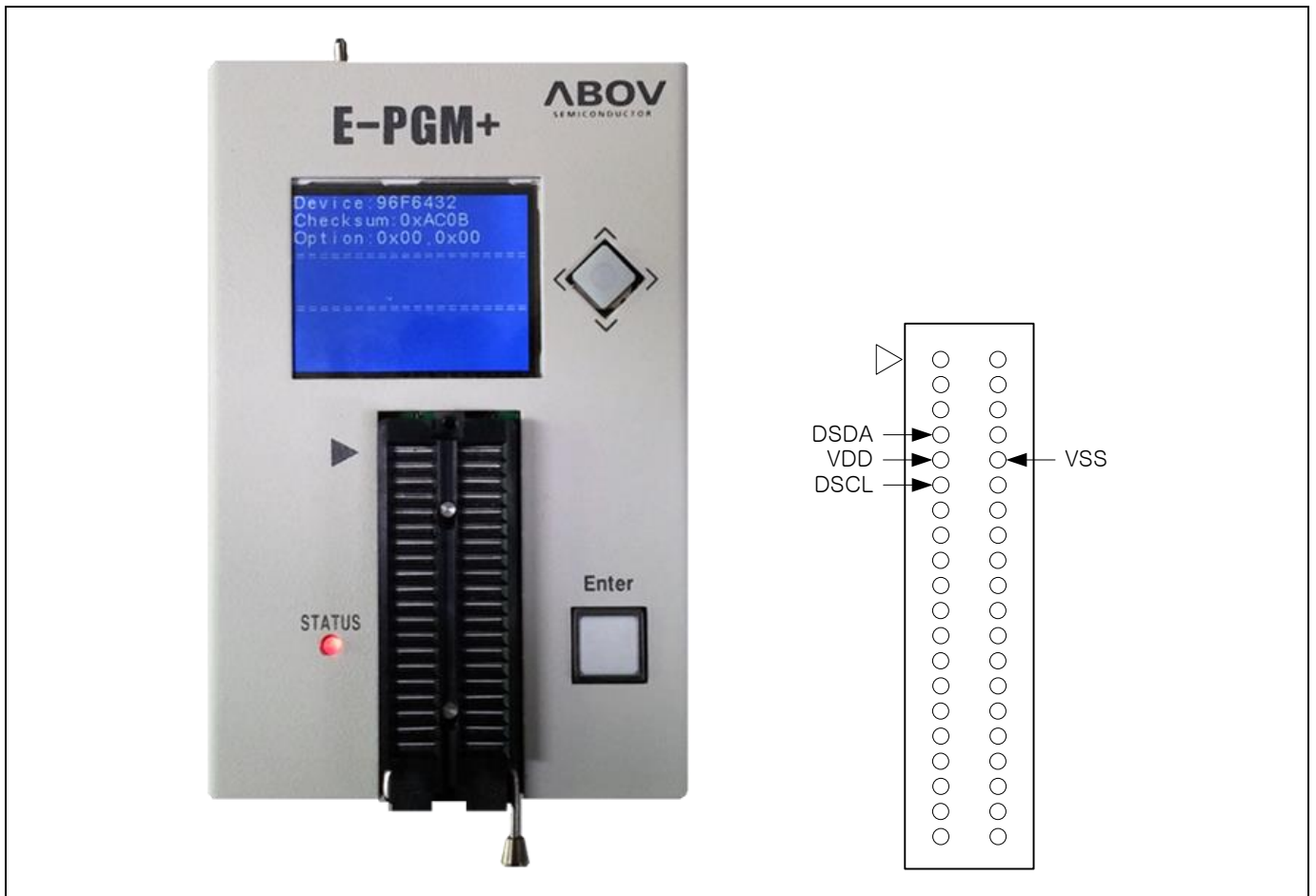


Figure 1.3 E-PGM+(Single writer)

OCD emulator:

It can write code to MCU device too, because OCD debugger supports ISP (In System Programming).It does not require additional H/W, except developer's target system.

Gang programmer: E-GANG4 and E-GANG6

- It can run PC controlled mode.
- It can run standalone without PC control too.
- USB interface is supported.
- Easy to connect to the handler.



**Figure 1.4** E-GANG4 and E-GANG6 (for Mass Production)

## 1.4 MTP programming

### 1.4.1 Overview

The program memory of A96R725 is MTP Type. This flash is accessed by serial data format. There are four pins(DSCL, DSDA, VDD, VSS) for programming/reading the flash.

Pin name	Main chip pin name	During programming	
		I/O	Description
DSCL	P20	I	Serial clock pin. Input only pin.
DSDA	P17	I/O	Serial data pin. Output port when reading and input port when programming. Can be assigned as input/push-pull output port.
VDD, VSS	VDD, VSS	-	Logic power supply pin.

**Table 1.2** Descriptions of pins which are used to programming/reading the Flash

### 1.4.2 On-Board programming

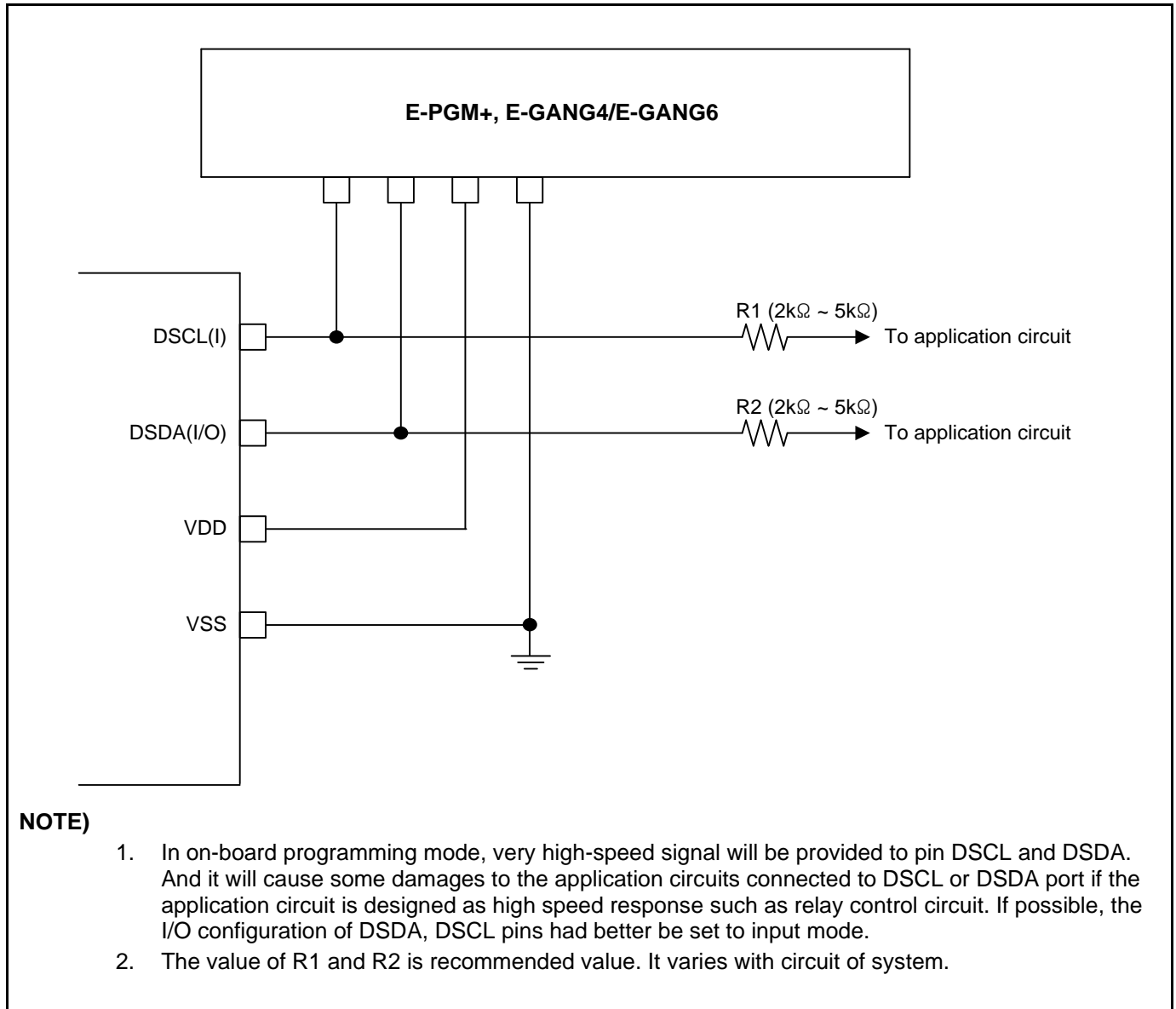
The A96R725 needs only four signal lines including VDD and VSS pins for programming FLASH with serial protocol. Therefore the on-board programming is possible if the programming signal lines are considered when the PCB of application board is designed.



### 1.4.3 Circuit Design Guide

At the FLASH programming, the programming tool needs 4 signal lines that are DSCL, DSDA, VDD and VSS. When you design the PCB circuits, you should consider the usage of these signal lines for the on-board programming.

Please be careful to design the related circuit of these signal pins because rising/falling timing of DSCL and DSDA is very important for proper programming.



**Figure 1.5** PCB design guide for on board programming

## 2 Block diagram

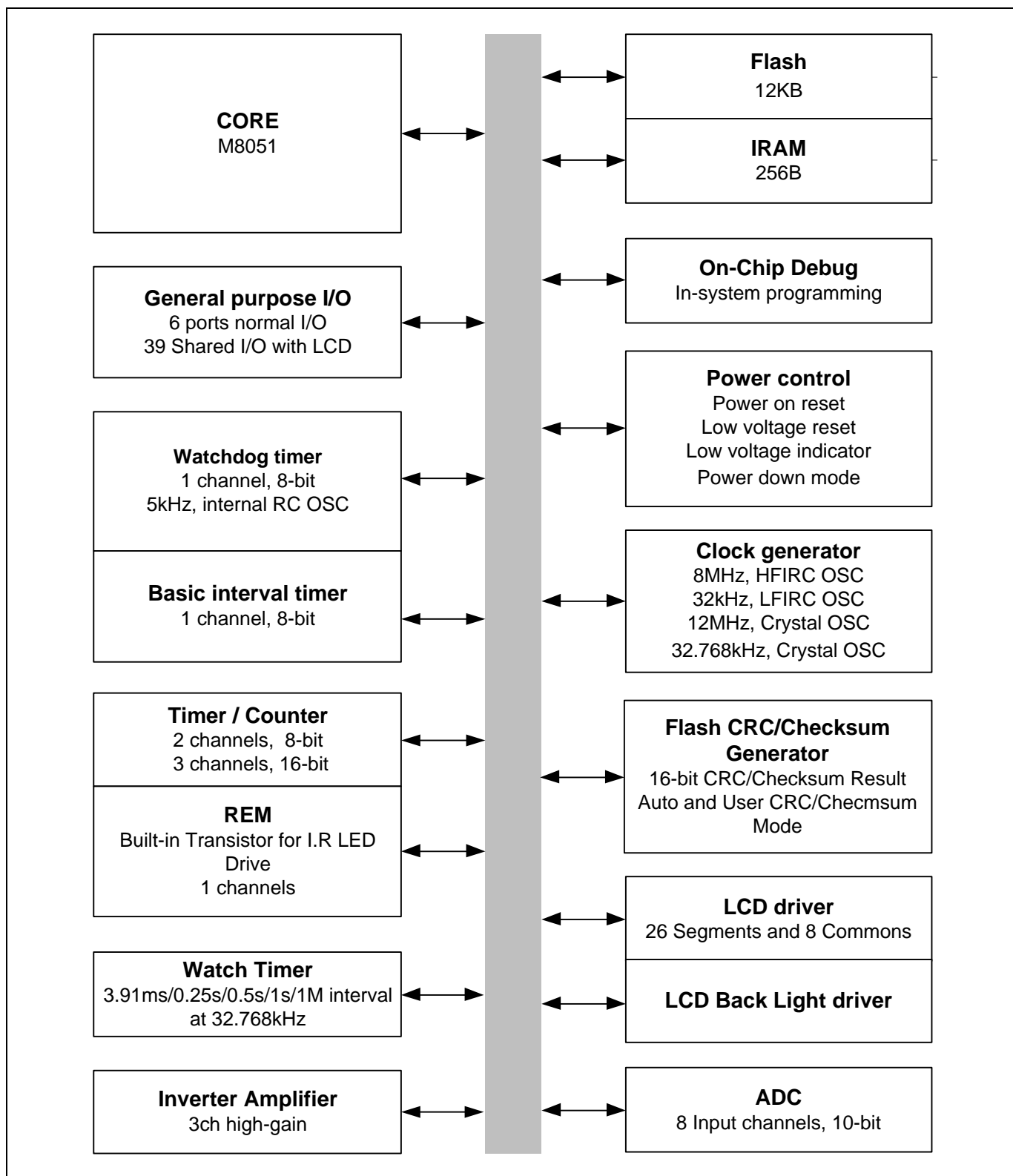


Figure 2.1 Block diagram of A96R725

### 3 Pin assignment

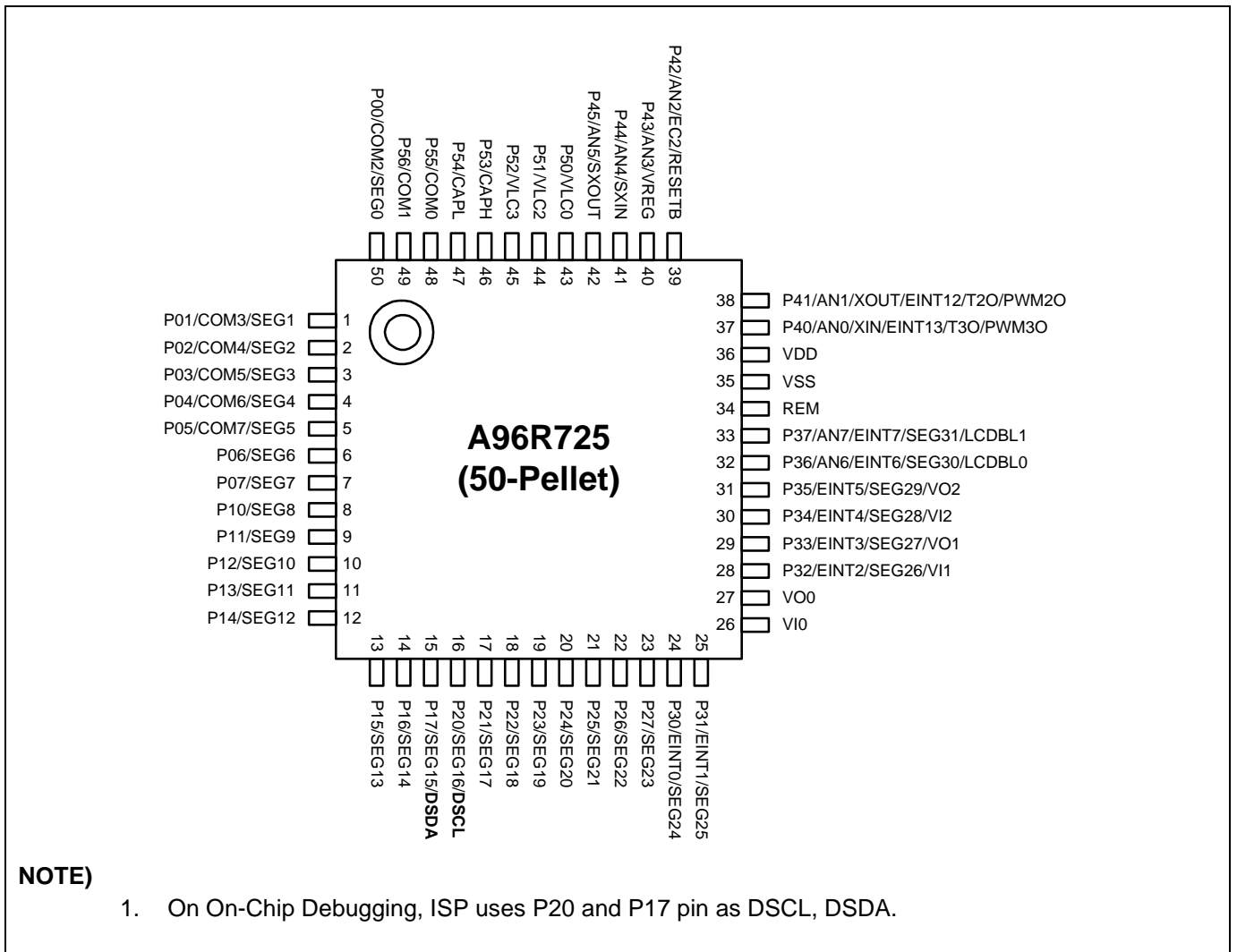


Figure 3.1 A96R725 50 Pellet Pin Assignment

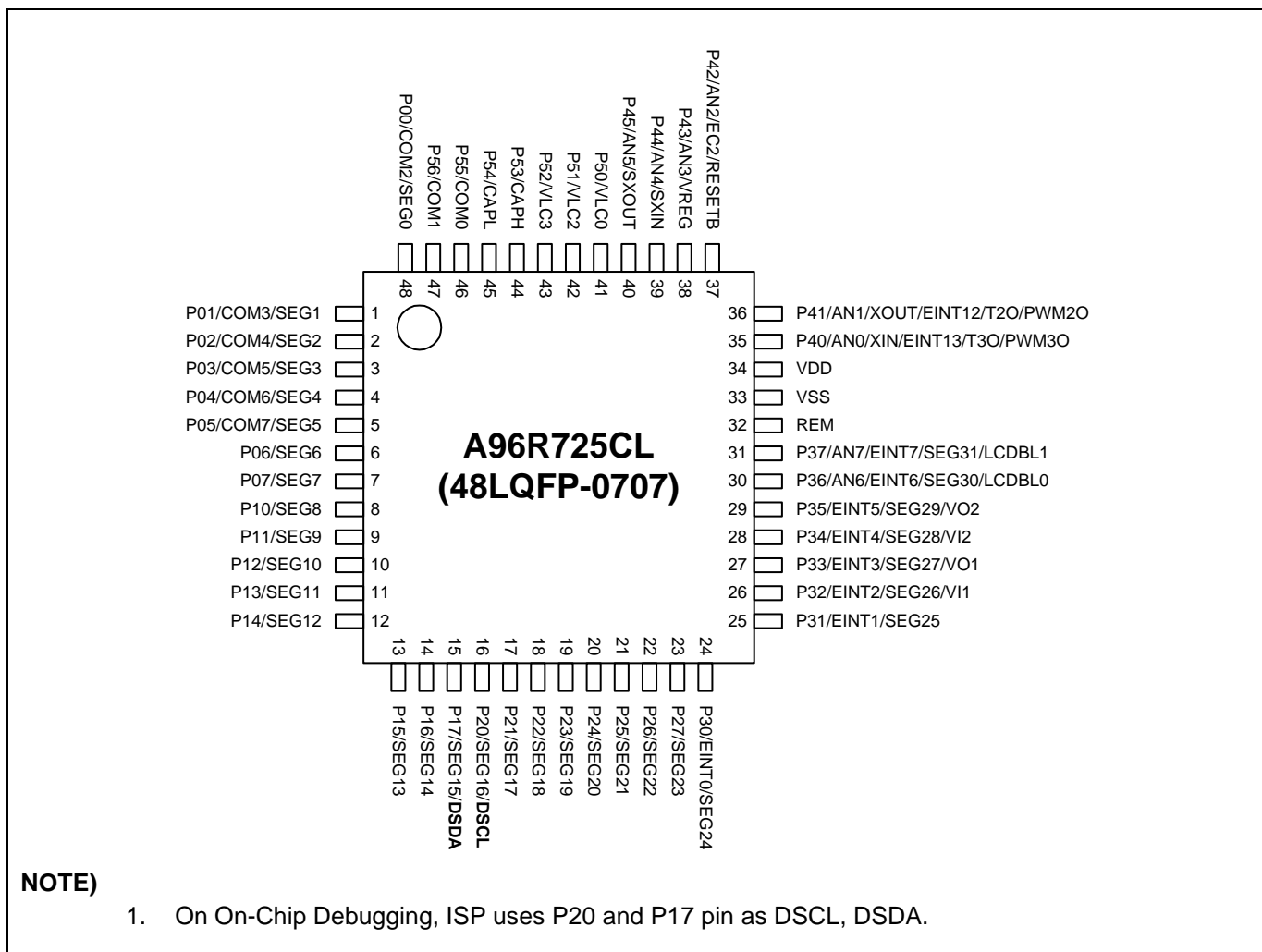


Figure 3.2 A96R725CL 48 LQFP Pin Assignment

# 4 Package Diagram

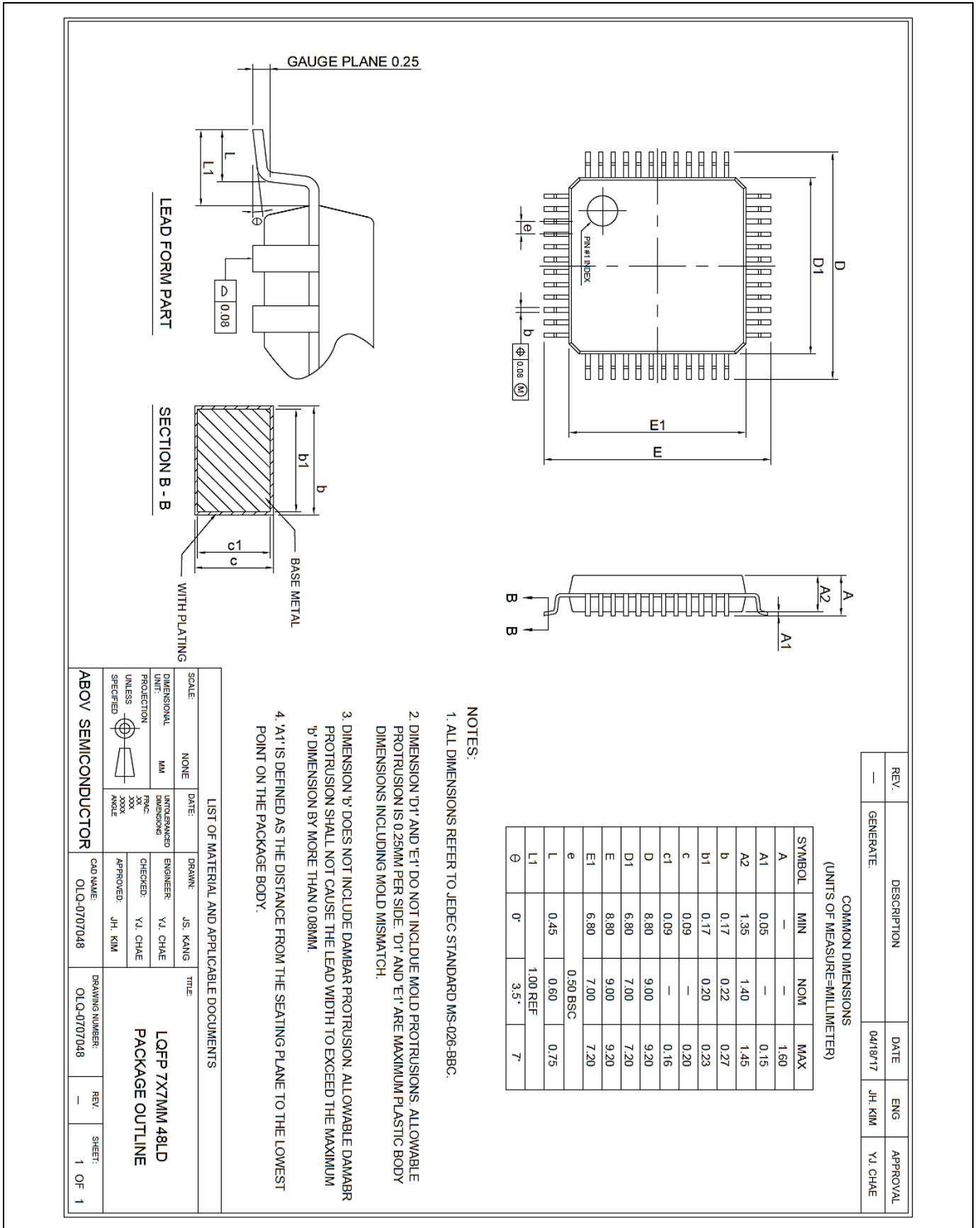


Figure 4.1 48-Pin LQFP-0707 Package

## 5 Pin Description

PIN Name	I/O	Function	@RESET	Shared with
P00	I/O	Port 0 is a bit-programmable I/O port which can be configured as an input, a push-pull output, or an open-drain output. A pull-up resistor can be specified in 1-bit unit.	Input	COM2/SEG0
P01				COM3/SEG1
P02				COM4/SEG2
P03				COM5/SEG3
P04				COM6/SEG4
P05				COM7/SEG5
P06				SEG6
P07				SEG7
P10	I/O	Port 1 is a bit-programmable I/O port which can be configured as an input (P17: Schmitt-trigger input), a push-pull output, or an open-drain output. A pull-up resistor can be specified in 1-bit unit.	Input	SEG8
P11				SEG9
P12				SEG10
P13				SEG11
P14				SEG12
P15				SEG13
P16				SEG14
P17				SEG15/DSDA
P20	I/O	Port 2 is a bit-programmable I/O port which can be configured as an input (P20: Schmitt-trigger input), a push-pull output, or an open-drain output. A pull-up resistor can be specified in 1-bit unit.	Input	SEG16/DSCL
P21				SEG17
P22				SEG18
P23				SEG19
P24				SEG20
P25				SEG21
P26				SEG22
P27				SEG23
P30	I/O	Port 3 is a bit-programmable I/O port which can be configured as a schmitt-trigger input, a push-pull output, or an open-drain output. A pull-up resistor can be specified in 1-bit unit.	Input	EINT0/SEG24
P31				EINT1/SEG25
P32				EINT2/SEG26/VI1
P33				EINT3/SEG27/VO1
P34				ENIT4/SEG28/VI2
P35				EINT5/SEG29/VO2
P36				AN6/EINT6/SEG30/LCDBL0
P37				AN7/EINT7/SEG31/LCDBL1

**Table 5.1** Normal Pin Description

PIN Name	I/O	Function	@RESET	Shared with
P40	I/O	Port 4 is a bit-programmable I/O port which can be configured as a schmitt-trigger input, a push-pull output, or an open-drain output. A pull-up resistor can be specified in 1-bit unit.	Input	AN0/XIN/EINT13/T3O /PWM3O
P41				AN1/XOUT/EINT12/T2O /PWM2O
P42				AN2/EC2/RESETB
P43				AN3/VREG
P44				AN4/SXIN
P45				AN5/SXOUT
P50				I/O
P51	VLC2			
P52	VLC3			
P53	CAPH			
P54	CAPL			
P55	COM0			
P56	COM1			
EINT0	I/O	External interrupt inputs	Input	P30/SEG24
EINT1				P31/SEG25
EINT2				P32/SEG26
EINT3				P33/SEG27
EINT4				P34/SEG28
EINT5				P35/SEG29
EINT6				P36/SEG30
EINT7				P37/SEG31
EINT12	I/O	External interrupt and Timer 12 capture input	Input	P41/AN1/XOUT/T2O/PWM2O
EINT13	I/O	External interrupt and Timer 13 capture input	Input	P40/AN0/XIN/T3O/PWM3O
T2O	I/O	Timer 2 interval output	Input	P41/AN1/XOUT/EINT12 /PWM2O
T3O	I/O	Timer 3 interval output	Input	P40/AN0/XIN/EINT13 /PWM3O
PWM2O	I/O	Timer 2 pulse output	Input	P41/AN1/XOUT/EINT12/T2O
PWM3O	I/O	Timer 3 pulse output	Input	P40/AN0/XIN/EINT13/T3O
EC2	I/O	Timer 3 event count input	Input	P42/AN2/RESETB
AN0	I/O	A/D converter analog input channels	Input	P40/XIN/EINT13/T3O /PWM3O
AN1				P41/XOUT/EINT12/T2O /PWM2O
AN2				P42/EC2/RESETB
AN3				P43/VREG
AN4				P44/SXIN
AN5				P45/SXOUT
AN6				P36/EINT6/SEG30/LCDBL0
AN7				P37/EINT7/SEG31/LCDBL1

**Table 5.1** Normal Pin Description (Continued)

PIN Name	I/O	Function	@RESET	Shared with
REM	O	High current n-channel open-drain output for driving I.R. LED.	Output	-
LCDBL0	I/O	LCD back light drive pins	Input	P36/AN6/EINT6/SEG30
LCDBL1				P37/AN7/EINT7/SEG31
VI0	I	The input of a high gain inverter amplifiers	Input	-
VI1	I/O			P32/EINT2/SEG26
VI2				P34/ENIT4/SEG28
VO0	O	The output of a high gain inverter amplifiers	Output	-
VO1	I/O		Input	P33/EINT3/SEG27
VO2			P35/EINT5/SEG29	
VLC0	I/O	LCD bias voltage pins	Input	P50
VLC2				P51
VLC3				P52
CAPH	I/O	Capacitor terminals for voltage booster	Input	P53
CAPL				P54
COM0	I/O	LCD common signal outputs	Input	P55
COM1				P56
COM2				P00/SEG0
COM3				P01/SEG1
COM4				P02/SEG2
COM5				P03/SEG3
COM6				P04/SEG4
COM7				P05/SEG5

Table 5.1 Normal Pin Description (Continued)



PIN Name	I/O	Function	@RESET	Shared with
SEG0	I/O	LCD segment signal outputs	Input	P00/COM2
SEG1				P01/COM3
SEG2				P02/COM4
SEG3				P03/COM5
SEG4				P04/COM6
SEG5				P05/COM7
SEG6				P06
SEG7				P07
SEG8				P10
SEG9				P11
SEG10				P12
SEG11				P13
SEG12				P14
SEG13				P15
SEG14				P16
SEG15				P17/DSDA
SEG16				P20/DSCL
SEG17				P21
SEG18				P22
SEG19				P23
SEG20				P24
SEG21				P25
SEG22				P26
SEG23				P27
SEG24				P30/EINT0
SEG25				P31/EINT1
SEG26				P32/EINT2
SEG27				P33/EINT3
SEG28				P34/EINT4
SEG29				P35/EINT5
SEG30				P36/EINT6
SEG31				P37/EINT7

**Table 5.1** Normal Pin Description (Continued)

PIN Name	I/O	Function	@RESET	Shared with
RESETB	I/O	System reset pin with a pull-up resistor when it is selected as the RESETB by "CONFIGURE OPTION"	Input	P42/AN2/EC2
DSDA	I/O	On chip debugger data input/output	Input	P17/SEG15
DSCL	I/O	On chip debugger clock input	Input	P20/SEG16
XIN	I/O	Main oscillator pins	Input	P40/AN0/EINT13 /T30/PWM3O
XOUT				P41/AN1/EINT12 /T20/PWM2O
SXIN	I/O	Sub oscillator pins	Input	P44/AN4
SXOUT				P45/AN5
VREG	I/O	Regulator voltage output for sub clock 0.1uF capacitor needed	Input	P43/AN3
VDD, VSS	-	Power input pins	-	-

**Table 5.1** Normal Pin Description (Concluded)

**NOTE)**

1. The P42/RESETB pin is configured as one of P42 and RESETB pin by the "CONFIGURE OPTION".
2. The P40/XIN and P41/XOUT pins are configured as a function pin by software control.
3. The P44/SXIN, P45/SXOUT, and P43/VREG pins are configured as a function pin by s/w control.
4. If the P17/SEG15/DSDA and P20/SEG16/DSCL pins are connected to an emulator during power-on reset, the pins are automatically configured as the debugger pins.
5. The P17/SEG15/DSDA and P20/SEG16/DSCL pins are configured as inputs with internal pull-up resistors only during the reset or power-on reset.

## 6 Port Structures

### 6.1 General Purpose I/O Port

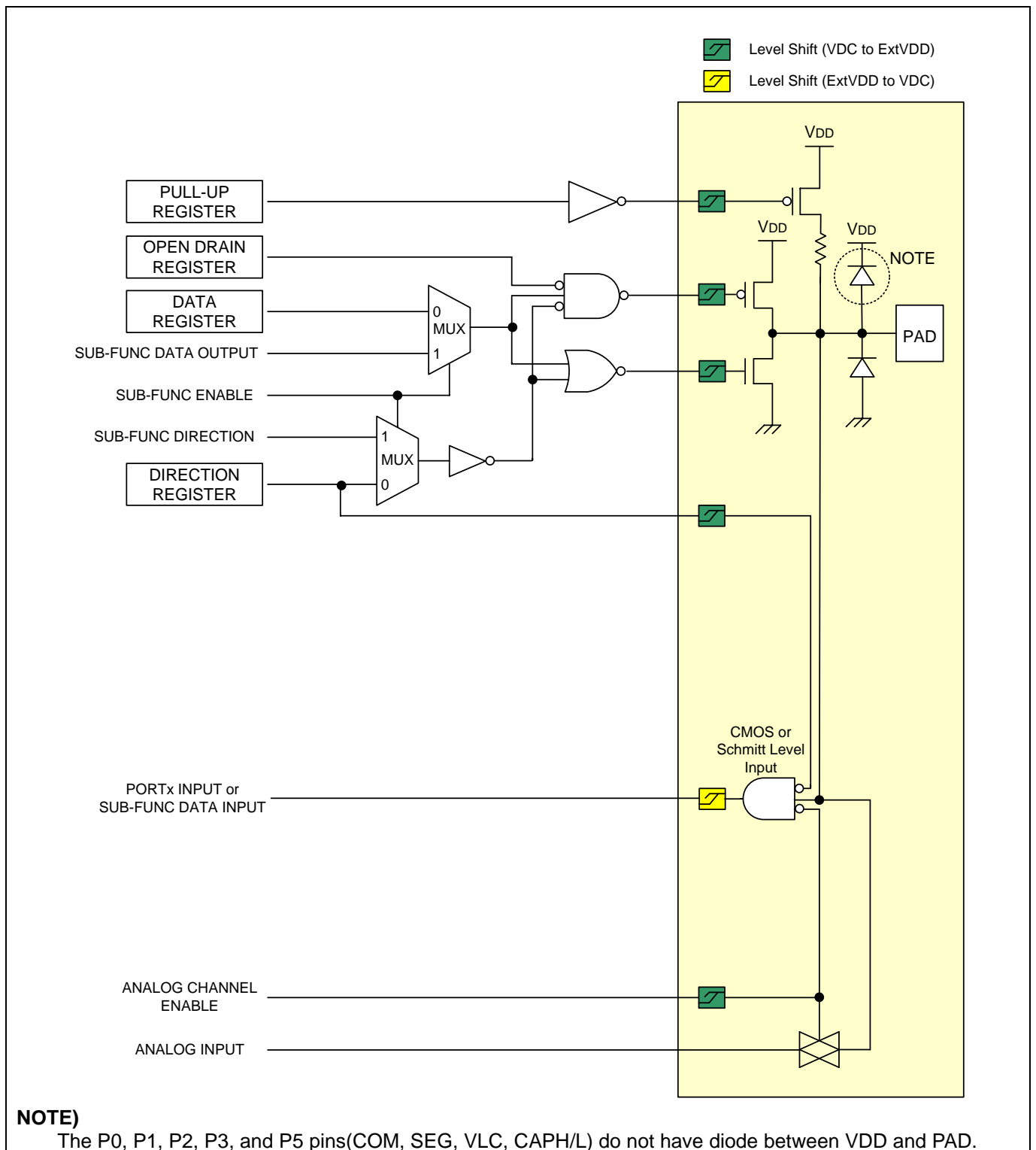


Figure 6.1 General Purpose I/O Port

## 6.2 External Interrupt I/O Port

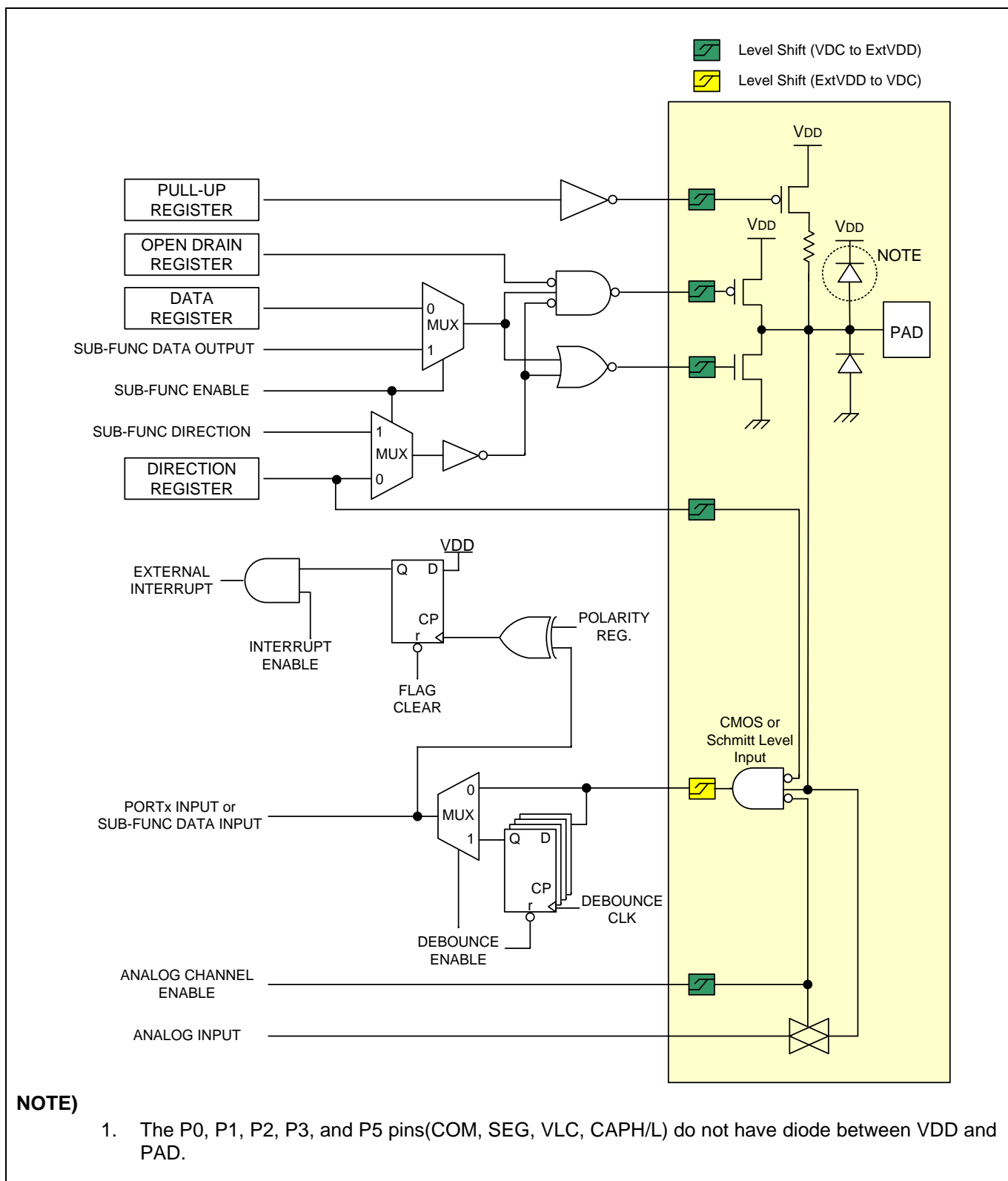


Figure 6.2 External Interrupt I/O Port

## 7 Electrical Characteristics

### 7.1 Absolute Maximum Ratings

Parameter	Symbol	Ratings	Unit	Note
Supply Voltage	VDD	-0.3 – +4.0	V	–
Normal Pin	V <sub>I</sub>	-0.3 – VDD+0.3	V	Voltage on any pin with respect to V <sub>SS</sub>
	V <sub>O</sub>	-0.3 – VDD+0.3	V	
	I <sub>OH</sub>	-10	mA	Maximum current output sourced by (I <sub>OH</sub> per I/O pin)
	∑ I <sub>OH</sub>	-80	mA	Maximum current (∑ I <sub>OH</sub> )
	I <sub>OL</sub>	60	mA	Maximum current sunk by (I <sub>OL</sub> per I/O pin)
	∑ I <sub>OL</sub>	120	mA	Maximum current (∑ I <sub>OL</sub> )
REM Output Pin	I <sub>OL</sub>	800	mA	Maximum current sunk by REM pin
Total Power Dissipation	P <sub>T</sub>	600	mW	–
Storage Temperature	T <sub>STG</sub>	-65 – +150	°C	–

**Table 7.1** Absolute Maximum Ratings

#### NOTE)

- Stresses beyond those listed under “Absolute Maximum Ratings” may cause permanent damage to the device. This is a stress rating only and functional operation of the device at any other conditions beyond those indicated in the operational sections of this specification is not implied. Exposure to absolute maximum rating conditions for extended periods may affect device reliability.

### 7.2 Recommended Operating Conditions

Parameter	Symbol	Conditions		(T <sub>A</sub> =-40°C ~ +85°C)		Units	
				Min	Max		
Operating Voltage	VDD	fx = 32 – 38kHz	SX-tal	1.8	3.6	V	
		fx = 0.4 – 4.2MHz	X-tal,	Ceramic	1.8		3.6
				Crystal	2.0		3.6
		fx = 0.4 – 8MHz	X-tal	2.4	3.6		
		fx = 0.4 – 12MHz		3.0	3.6		
		fx = 0.5 – 8MHz	HFIRC	1.8	3.6		
fx = 4.0 – 32kHz	LFIRC	1.8	3.6				
Operating Temperature	TOPR	VDD = 1.8 – 3.6V		-40	85	°C	

**Table 7.2** Recommended Operating Conditions

### 7.3 A/D Converter Characteristics

( $T_A = -40^{\circ}\text{C} \sim +85^{\circ}\text{C}$ ,  $V_{DD} = 1.8\text{V} \sim 3.6\text{V}$ ,  $V_{SS} = 0\text{V}$ )

Parameter	Symbol	Conditions	Min	Typ	Max	Units
Resolution	–	–	–	10	–	bit
Integral Non-Linear	INL	VDD=2.4V – 3.6V, $f_x=8\text{MHz}$	–	–	$\pm 3$	LSB
Differential Non-Linearity	DNL		–	–	$\pm 1$	
Top Offset Error	TOE		–	–	$\pm 5$	
Zero Offset Error	ZOE		–	–	$\pm 5$	
Conversion Time	$t_{\text{CONV}}$	VDD=2.4V – 3.6V	30	–	–	us
		VDD=2.7V – 3.6V	20	–	–	
Analog Input Voltage	$V_{\text{AIN}}$	–	VSS	–	VDD	V
Band Gap Reference Value <sup>(4)</sup>	$V_{\text{ALBGR}}$	VDD=3.3V, $T_A=25^{\circ}\text{C}$ , MSB align, 8 times average, Different from CNFMRR0/1 values and ADC result (“CNFMRR0/1” – “ADC result”)	–	–	$\pm 15$	LSB
A/DC Input Leakage Current	$I_{\text{AIN}}$	VDD=3.072V	–	–	10	$\mu\text{A}$
A/DC Current	$I_{\text{ADC}}$	Enable	–	1	2	mA
		Disable	–	–	0.1	$\mu\text{A}$

**Table 7.3** A/D Converter Characteristics

**NOTE)**

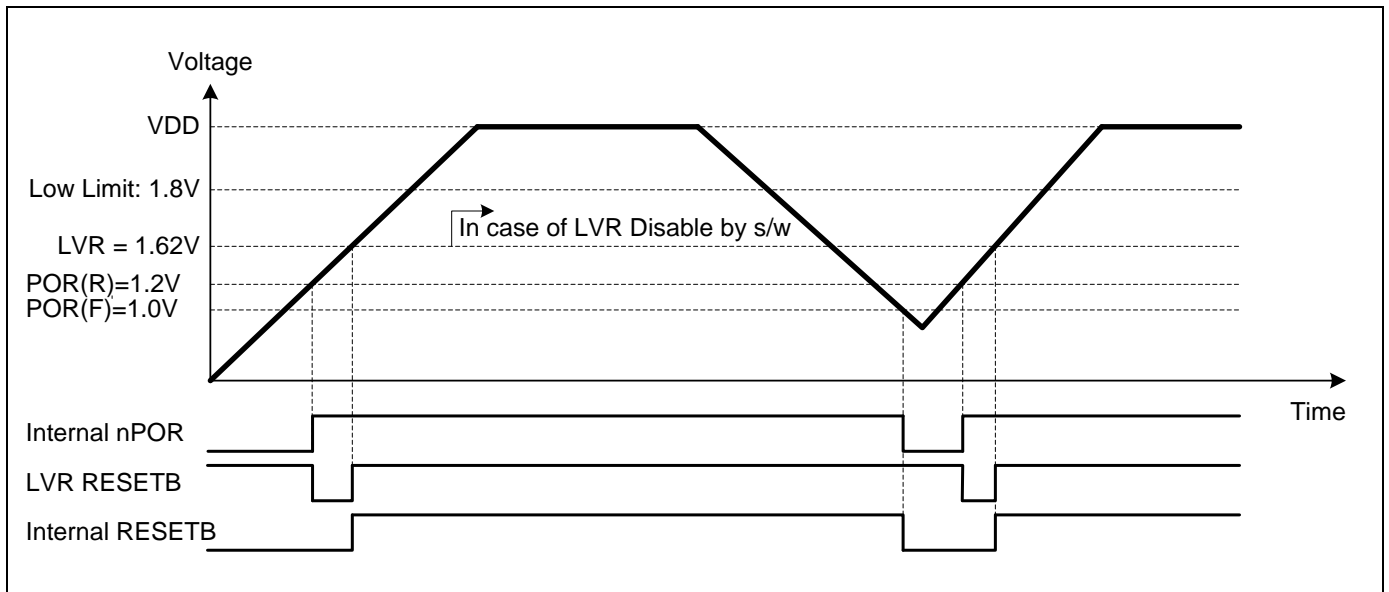
1. Zero offset error is the difference between 0x000 and the converted output for zero input voltage (VSS).
2. Top offset error is the difference between 0x3ff and the converted output for top input voltage (VDD).
3. If VDD is less than 2.4V, the resolution degrades by 1-bit whenever VDD drops 0.1V. (@ADCLK = 0.5MHz, Under 2.7V resolution has no test.)
4. The CNFMRR0/1 register of XRAM has an AD/C result value which reads VBGR voltage at VDD=3.3V. The CNFMRR0 has the value of ADCDRL[7:0] and CNFMRR1 has the value of ADCDRH[7:0].

### 7.4 Power-On Reset Characteristics

( $T_A = -40^{\circ}\text{C} \sim +85^{\circ}\text{C}$ ,  $V_{DD} = 1.8\text{V} \sim 3.6\text{V}$ ,  $V_{SS} = 0\text{V}$ )

Parameter	Symbol	Conditions	Min	Typ	Max	Units
Reset Release Level	$V_{POR}$	-	-	1.2	-	V
Hysteresis	$\Delta V$	-	-	0.2	-	V
VDD Voltage Rising Time	$t_R$	0.5V – 2.0V	0.05	-	30.0	V/ms
POR Current	$I_{POR}$	-	-	0.2	-	$\mu\text{A}$

**Table 7.4** Power-on Reset Characteristics



**Figure 7.1** Power-on Reset Timing

### 7.5 Low Voltage Reset and Low Voltage Indicator Characteristics

(T<sub>A</sub>=-40°C ~ +85°C, VDD=1.8V ~ 3.6V, VSS=0V)

Parameter	Symbol	Conditions		Min	Typ	Max	Units
Detection Level	V <sub>LVR</sub> V <sub>LVI</sub>	The LVR can select all levels but LVI can select other levels except 1.62V.		-	1.62	1.79	V
				1.85	2.00	2.15	
				2.25	2.40	2.55	
				2.53	2.68	2.83	
Hysteresis	ΔV	-		-	10	50	mV
Minimum Pulse Width	t <sub>lw</sub>	-		100	-	-	us
LVR and LVI Current	I <sub>BL</sub>	Enable (Both)	VDD=3V, Run mode	-	5.0	10.0	uA
		Enable (One of two)		-	4.0	8.0	
		Disable (Both)	VDD=3V	-	-	0.1	

**Table 7.5** LVR and LVI Characteristics



## 7.6 High Frequency Internal RC Oscillator Characteristics

(T<sub>A</sub>=-40°C ~ +85°C, VDD=1.8V ~ 3.6V, VSS=0V)

Parameter	Symbol	Conditions	Min	Typ	Max	Units	
Frequency	f <sub>HFIRC</sub>	VDD = 1.8V – 3.6V	–	8	–	MHz	
Tolerance	–	T <sub>A</sub> = -10 °C to +55°C	With 0.1uF bypass capacitor	-2.0	–	+2.0	%
		T <sub>A</sub> = -20 °C to +85°C		-3.0	–	+3.0	
		T <sub>A</sub> = -40 °C to +85°C		-4.0	–	+4.0	
		T <sub>A</sub> = -10 °C to +55°C (User trim, Using E-PGM+ or S/W)		-1.0	–	+1.0	
Clock duty ratio	TOD	–	40	50	60	%	
Stabilization Time	t <sub>HFS</sub>	–	–	–	100	us	
HFIRC Current	I <sub>HFIRC</sub>	Enable	–	0.2	–	mA	
		Disable	–	–	0.1	uA	

**Table 7.6** High Frequency Internal RC Oscillator Characteristics

### NOTE)

1. User Trimming means the calibration of HFIRC frequency. Using E-PGM +.
2. To ensure ±1.0% tolerance of HFIRC frequency, it is necessary to do User Trimming.
3. Guaranteed by design, but might be On-Board programming after SMT process.  
(HFIRC Calibration with high temperature can cause the shift of the frequency, be sure to calibrate Enough to cool to near room temperature after SMT process)

## 7.7 Low Frequency Internal RC Oscillator Characteristics

(T<sub>A</sub>=-40°C ~ +85°C, VDD=1.8V ~ 3.6V, VSS=0V)

Parameter	Symbol	Conditions	Min	Typ	Max	Units	
Frequency	f <sub>LFIRC</sub>	VDD = 1.8V – 3.6V	–	32	–	kHz	
Tolerance	–	T <sub>A</sub> = -10 °C to + 55°C	With 0.1uF bypass capacitor	-10.0	–	+10.0	%
Clock duty ratio	TOD	–		40	50	60	
Stabilization Time	t <sub>LFS</sub>	–	–	–	1	ms	
LFIRC Current	I <sub>LFIRC</sub>	Enable	VDD=3.0V	–	2	–	uA
		Disable		–	–	0.1	

**Table 7.7** Low Frequency Internal RC Oscillator Characteristics

## 7.8 Internal Watch-Dog Timer RC Oscillator Characteristics

(T<sub>A</sub>=-40°C ~ +85°C, VDD=1.8V ~ 3.6V, VSS=0V)

Parameter	Symbol	Conditions	Min	Typ	Max	Units
Frequency	f <sub>WDTRC</sub>	–	2	5	10	kHz
Stabilization Time	t <sub>WDTS</sub>	–	–	–	1	ms
WDTRC Current	I <sub>WDTRC</sub>	Enable	–	1	–	uA
		Disable	–	–	0.1	

**Table 7.8** Internal WDTRC Oscillator Characteristics

### 7.9 LCD Voltage Characteristics

(T<sub>A</sub>= -40°C ~ +85°C, VDD=2.0V ~ 3.6V, VSS= 0V)

Parameter	Symbol	Conditions	Min	Typ	Max	Units
LCD Voltage	V <sub>LC3</sub>	Voltage booster enabled, 1/2 bias	Typx0.93	1.0+(Nx0.05)	Typx1.07	V
		Voltage booster enabled, 1/3 bias	Typx0.93	0.75	Typx1.07	
	0.79					
	0.83					
	0.86					
	0.90					
	0.94					
	0.98					
	1.01					
1.05						
1.09						
LCD Mid Bias Voltage	V <sub>LC0/2</sub>	Voltage booster enabled, 1/2 bias, No panel load, VDD=3V	Typx0.9	2xVLC3	Typx1.1	V
	V <sub>LC0</sub>	Voltage booster enabled, 1/3 bias, No panel load, VDD=3V	Typx0.9	3xVLC3	Typx1.1	
	V <sub>LC2</sub>		Typx0.9	2xVLC3	Typx1.1	
	V <sub>LC3</sub>	Voltage booster disabled, LCD dividing resistor, VDD=2.7V to 3.6V, 1/3 bias, LCD clock = 0Hz, VLC0=VDD	Typ-0.2	0.33xVDD	Typ+0.2	V
LCD Driver Output Impedance	R <sub>LO</sub>	V <sub>LC0</sub> =3V, I <sub>LOAD</sub> =±10uA	-	5	10	kΩ
LCD Bias Dividing Resistor	R <sub>LCD1</sub>	Internal resistor mode, T <sub>A</sub> = 25°C	20	30	40	kΩ
	R <sub>LCD2</sub>		40	60	80	
	R <sub>LCD3</sub>		80	120	160	
LCD Block Current	I <sub>LCD</sub>	Voltage booster mode, VDD=3V, V <sub>LC0</sub> =3.15V, 1/3Bias	-	3	6	uA

**Table 7.9** LCD Voltage Characteristics

**NOTE)**

- Where N is the value of LCDCCR register (N = 0 to 9).

## 7.10 DC Characteristics

(TA= -40°C ~ +85°C, VDD=1.8V ~ 3.6V, VSS= 0V, fXIN= 12MHz)

Parameter	Symbol	Conditions	Min	Typ	Max	Units	
Input High Voltage	V <sub>IH1</sub>	P17, P20, P3, P4, RESETB	0.8VDD	–	VDD	V	
	V <sub>IH2</sub>	All input pins except V <sub>IH1</sub>	0.7VDD	–	VDD		
Input Low Voltage	V <sub>IL1</sub>	P17, P20 P3, P4, RESETB	–	–	0.2VDD	V	
	V <sub>IL2</sub>	All input pins except V <sub>IL1</sub>	–	–	0.3VDD		
Output High Voltage	V <sub>OH</sub>	VDD=3.3V, IOH = – 2mA; All output ports except REM pin	VDD-1.0	–	–	V	
Output Low Voltage	V <sub>OL1</sub>	VDD=3.3V, IOL=10mA; All output ports except VOL2 and REM	–	–	1.0	V	
	V <sub>OL2</sub>	VDD=3.0V, LCDBL0 and LCDBL1	IOL=10mA, DRV = 0	–	–	1.0	V
			IOL=20mA, DRV = 1				
IOL=30mA, DRV = 2							
Inverter Amp Output Current	I <sub>OHA</sub>	VDD=3V, VOH=2.5V VO0, VO1, and VO2	TA=25°C	-700	-400	-200	uA
	I <sub>OLA</sub>	VDD=3V, VOL=0.5V VO0, VO1, and VO2		200	400	700	
REM Output High Current	I <sub>OHR</sub>	VDD=3.0V, VOH=2.0V, ROTS=1	–	-10	-5	mA	
REM Output Low Current	I <sub>OL1</sub>	VDD=3.0V, VOL=1.0V, TA=25°C	ROTS=1	2.5	5.0	–	mA
	I <sub>OL2</sub>		ROTS=0, RIOL=3	470	630	–	
Input high leakage current	I <sub>IH</sub>	All Input ports	–	–	1	uA	
Input low leakage current	I <sub>IL</sub>	All Input ports	-1	–	–	uA	
Pull-up resistor	R <sub>PU1</sub>	V <sub>I</sub> =0V, TA=25°C, All Input ports	VDD=3V	50	100	200	kΩ
	R <sub>PU2</sub>	V <sub>I</sub> =0V, TA=25°C, RESETB	VDD=3V	200	400	800	
OSC feedback resistor	R <sub>X1</sub>	XIN=VDD, XOUT=VSS TA=25°C, VDD=3V FBS = 0 (Configure Option 2: 1FH)		1200	2400	3500	kΩ
		XIN=VDD, XOUT=VSS TA=25°C, VDD=3V FBS = 1 (Configure Option 2: 1FH)		500	1000	1500	
	R <sub>X2</sub>	SXIN=VDD, SXOUT=VSS TA=25°C, VDD=3V		5	10	20	MΩ

Table 7.10 DC Characteristics

### 7.11 DC Characteristics (Continued)

( $T_A = -40^{\circ}\text{C} \sim +85^{\circ}\text{C}$ ,  $V_{DD} = 1.8\text{V} \sim 3.6\text{V}$ ,  $V_{SS} = 0\text{V}$ ,  $f_{XIN} = 12\text{MHz}$ )

Parameter	Symbol	Conditions	Min	Typ	Max	Units	
Supply current	$I_{DD1}$ (Run)	$f_{XIN} = 12\text{MHz}$ , $V_{DD} = 3\text{V} \pm 10\%$	–	1.5	3.0	mA	
		$f_{HFIRC} = 8\text{MHz}$ , $V_{DD} = 3\text{V} \pm 10\%$	–	1.0	2.0		
		$f_{XIN} = 8\text{MHz}$ , $V_{DD} = 3\text{V} \pm 10\%$	–	1.0	2.0		
	$I_{DD2}$ (Idle)	$f_{XIN} = 12\text{MHz}$ , $V_{DD} = 3\text{V} \pm 10\%$	–	0.5	1.0	mA	
		$f_{HFIRC} = 8\text{MHz}$ , $V_{DD} = 3\text{V} \pm 10\%$	–	0.4	0.8		
		$f_{XIN} = 8\text{MHz}$ , $V_{DD} = 3\text{V} \pm 10\%$	–	0.4	0.8		
	$I_{DD3}$ (Run)	$f_{SUB} = 32.768\text{kHz}$	$V_{DD} = 3\text{V} \pm 10\%$ , $T_A = 25^{\circ}\text{C}$	–	70	140	uA
		$f_{LFIRC} = 32\text{kHz}$		–	70	140	
	$I_{DD4}$ (Idle)	$f_{SUB} = 32.768\text{kHz}$	$V_{DD} = 3\text{V} \pm 10\%$ , $T_A = 25^{\circ}\text{C}$	–	4.0	8.0	uA
		$f_{LFIRC} = 32\text{kHz}$		–	4.0	8.0	
$I_{DD5}$	Stop, $V_{DD} = 3\text{V} \pm 10\%$ , $T_A = 25^{\circ}\text{C}$		–	0.5	3.0	uA	

**Table 7.11** DC Characteristics (Continued)

**NOTE)**

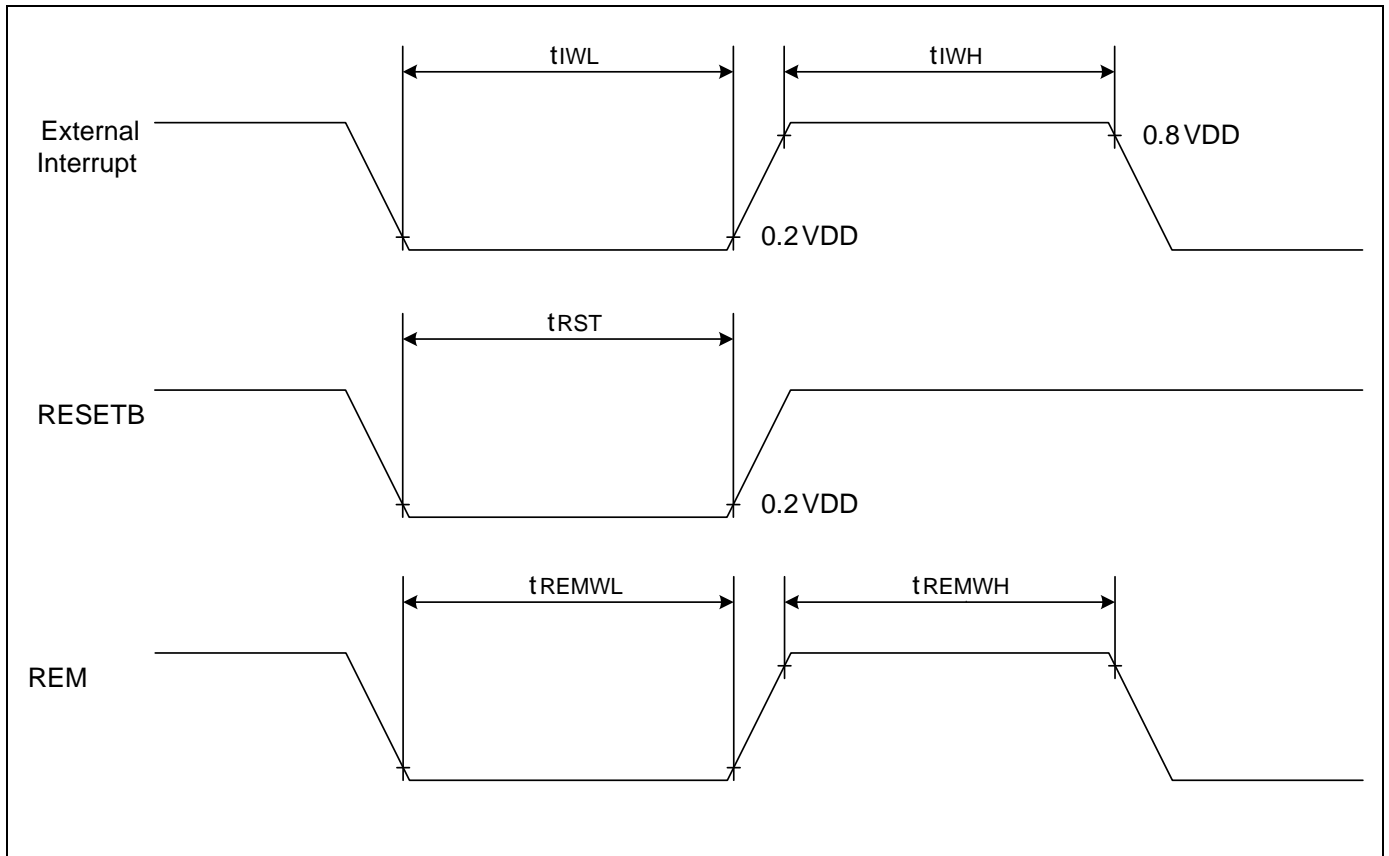
1. Where the  $f_{XIN}$  is an external main oscillator, the  $f_{SUB}$  is an external sub oscillator, the  $f_{HFIRC}$  is an internal high frequency RC oscillator, the  $f_{LFIRC}$  is an internal low frequency RC oscillator and the  $f_x$  is the selected system clock.
2. All supply current items don't include the current of an internal Watch-dog timer RC (WDTRC) oscillator and a peripheral block.
3. All supply current items include the current of the power-on reset (POR) block.

### 7.11 AC Characteristics

( $T_A = -40^{\circ}\text{C} \sim +85^{\circ}\text{C}$ ,  $V_{DD} = 1.8\text{V} \sim 3.6\text{V}$ )

Parameter	Symbol	Conditions	Min	Typ	Max	Units
RESETB input low width	$t_{RST}$	$V_{DD} = 3\text{V}$	10	–	–	us
Interrupt Input High, Low width	$t_{IWH}$ , $t_{IWL}$	All interrupts, $V_{DD} = 3\text{V}$	200	–	–	ns
REM port High, Low width	$t_{REMWH}$ , $t_{REMWL}$	REM, $V_{DD} = 3\text{V}$	5	–	–	us

**Table 7.11** AC Characteristics



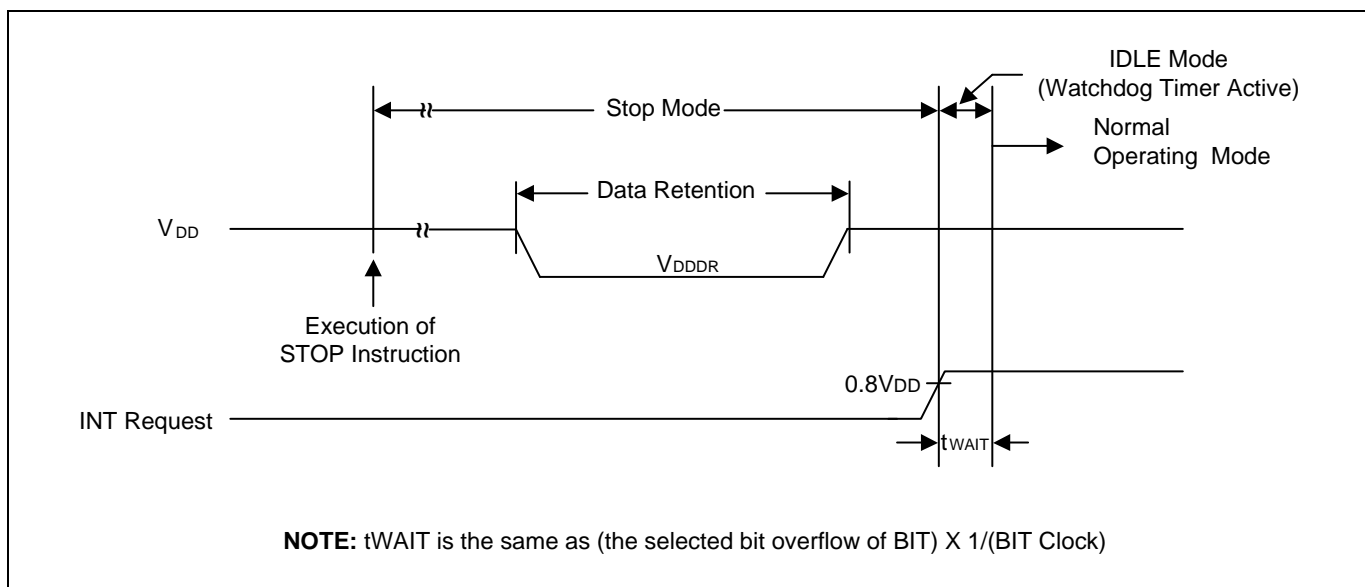
**Figure 7.2** AC Timing

### 7.12 Data Retention Voltage in Stop Mode

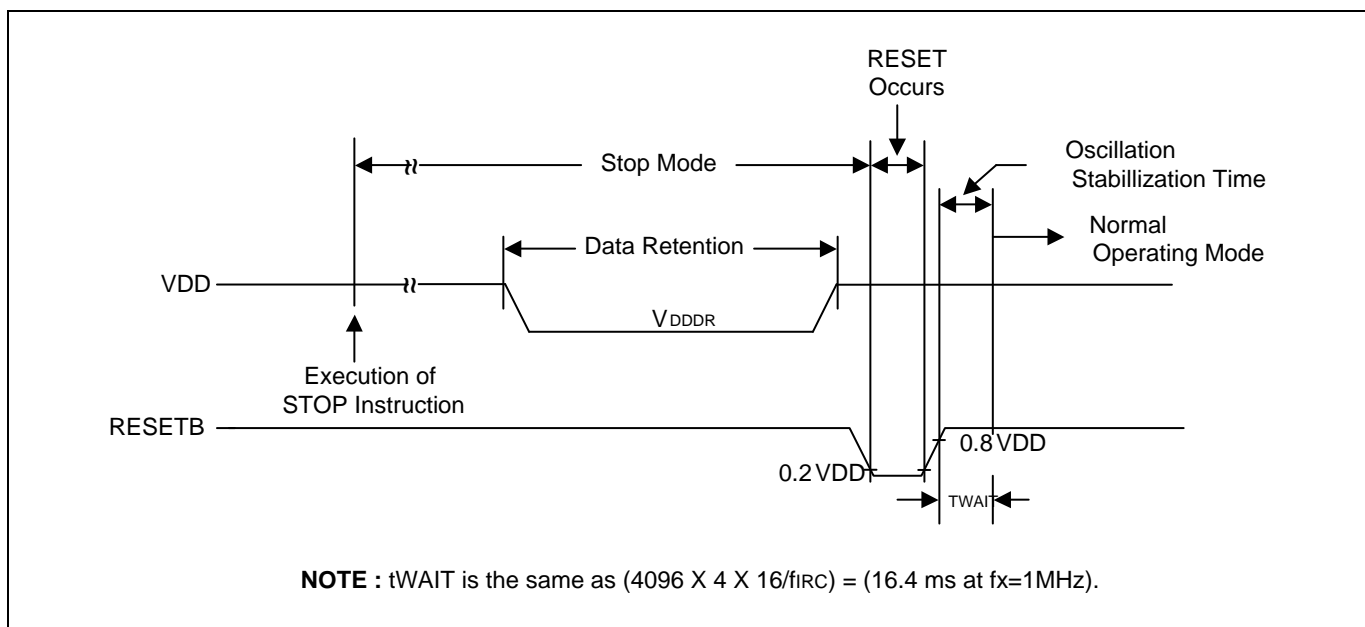
( $T_A = -40^{\circ}\text{C} \sim +85^{\circ}\text{C}$ ,  $V_{DD} = 1.8\text{V} \sim 3.6\text{V}$ )

Parameter	Symbol	Conditions	Min	Typ	Max	Units
Data retention supply voltage	$V_{DDDR}$	—	1.0	—	3.6	V
Data retention supply current	$I_{DDDR}$	$V_{DDDR} = 1.8\text{V}$ ( $T_A = 25^{\circ}\text{C}$ ), Stop mode	—	—	1	$\mu\text{A}$

**Table 7.12** Data Retention Voltage in Stop Mode



**Figure 7.3** Stop Mode Release Timing when Initiated by an Interrupt



**Figure 7.4** Stop Mode Release Timing when Initiated by RESETB

### 7.13 Internal Flash Rom Characteristics

( $T_A = -40^{\circ}\text{C} \sim +85^{\circ}\text{C}$ ,  $V_{DD} = 1.8\text{V} \sim 3.6\text{V}$ ,  $V_{SS} = 0\text{V}$ )

Parameter	Symbol	Conditions	Min	Typ	Max	Units
Sector Write Time	$t_{FSW}$	–	–	2.5	2.7	ms
Sector Erase Time	$t_{FSE}$	–	–	3.0	3.2	
Hard-Lock Time	$t_{FHL}$	–	–	2.5	2.7	
Page Buffer Reset Time	$t_{FBR}$	–	–	–	5	us
Flash Programming Frequency	$f_{PGM}$	–	0.4	–	–	MHz
Endurance of Write/Erase	$N_{FWE}$	Sector 0 to 375	–	–	10,000	Times
		Sector 376 to 383	–	–	100,000	
Flash Data Retention Time	$t_{RT}$	–	10	–	–	Years

**Table 7.13** Internal Flash Rom Characteristics

#### NOTE)

1. During a flash operation, SCLK[1:0] of SCCR must be set to “00” or “01” (HF INT-RC OSC or Main XTAL for system clock).

### 7.14 Input/Output Capacitance

( $T_A = -40^{\circ}\text{C} \sim +85^{\circ}\text{C}$ ,  $V_{DD} = 0\text{V}$ )

Parameter	Symbol	Conditions	Min	Typ	Max	Units
Input Capacitance	$C_{IN}$	$f_x = 1\text{MHz}$ Unmeasured pins are connected to $V_{SS}$	–	–	10	pF
Output Capacitance	$C_{OUT}$					
I/O Capacitance	$C_{IO}$					

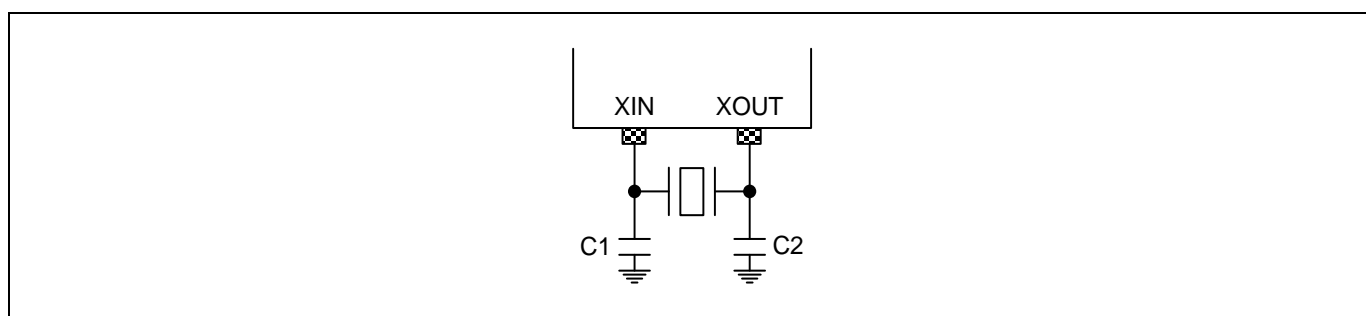
**Table 7.14** Input/Output Capacitance

### 7.15 Main Clock Oscillator Characteristics

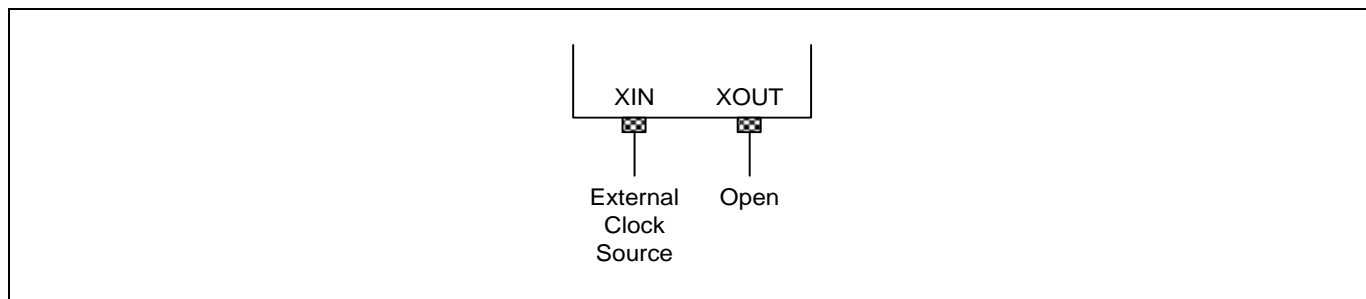
( $T_A = -40^{\circ}\text{C} \sim +85^{\circ}\text{C}$ ,  $V_{DD} = 1.8\text{V} \sim 3.6\text{V}$ )

Oscillator	Parameter	Conditions	Min	Typ.	Max	Units
Crystal	Main oscillation frequency	2.0 V – 3.6 V	0.4	–	4.2	MHz
		2.4 V – 3.6 V	0.4	–	8.0	
		3.0 V – 3.6 V	0.4	–	12.0	
Ceramic Oscillator	Main oscillation frequency	1.8 V – 3.6 V	0.4	–	4.2	
		2.4 V – 3.6 V	0.4	–	8.0	
		3.0 V – 3.6 V	0.4	–	12.0	
External Clock	XIN input frequency	1.8 V – 3.6 V	0.4	–	4.2	MHz
		2.4 V – 3.6 V	0.4	–	8.0	
		3.0 V – 3.6 V	0.4	–	12.0	

**Table 7.15** Main Clock Oscillator Characteristics



**Figure 7.5** Crystal/Ceramic Oscillator



**Figure 7.6** External Clock

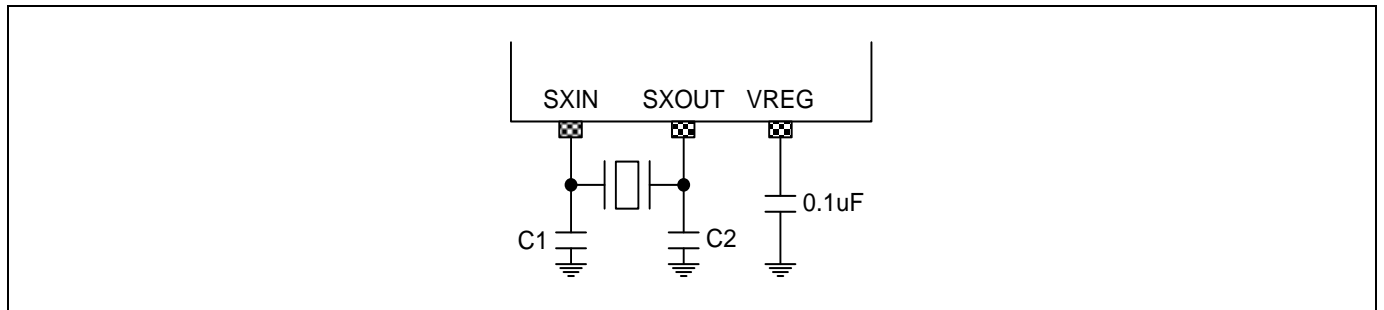


## 7.16 Sub Clock Oscillator Characteristics

( $T_A = -40^\circ\text{C} \sim +85^\circ\text{C}$ ,  $V_{DD} = 1.8\text{V} \sim 3.6\text{V}$ )

Oscillator	Parameter	Conditions	Min	Typ.	Max	Units
Crystal	Sub oscillation frequency	1.8 V – 3.6 V	32	32.768	38	kHz

**Table 7.16** Sub Clock Oscillator Characteristics



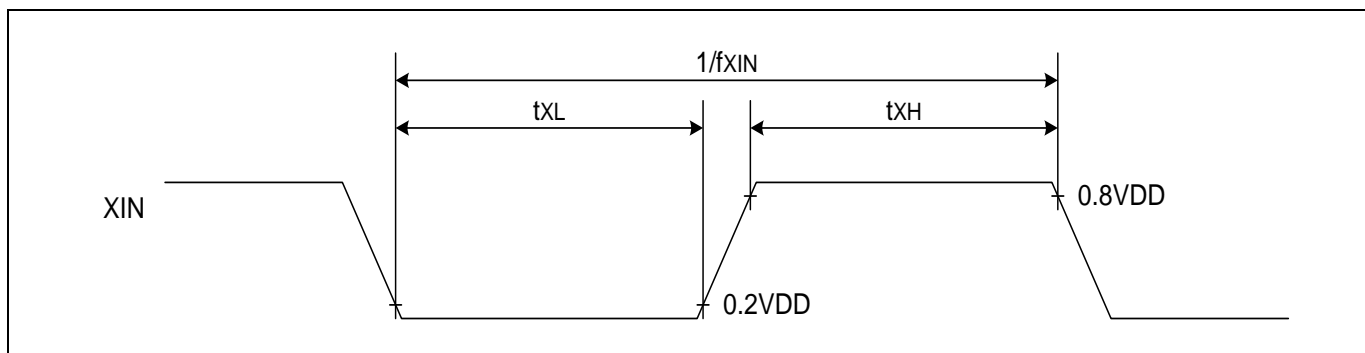
**Figure 7.7** Crystal Oscillator

### 7.17 Main Oscillation Stabilization Characteristics

( $T_A = -40^{\circ}\text{C} \sim +85^{\circ}\text{C}$ ,  $V_{DD} = 1.8\text{V} \sim 3.6\text{V}$ )

Oscillator	Conditions	Min	Typ.	Max	Units
Crystal	$f_{XIN} \geq 1\text{ MHz}$ , $V_{DD} = 2.0\text{V} \sim 3.6\text{V}$ Oscillation stabilization occurs when $V_{DD}$ is equal to the minimum oscillator voltage range.	-	-	60	ms
Ceramic	$f_{XIN} \geq 1\text{ MHz}$ , $V_{DD} = 1.8\text{V} \sim 3.6\text{V}$ Oscillation stabilization occurs when $V_{DD}$ is equal to the minimum oscillator voltage range.	-	-	10	
External Clock	$f_{XIN} = 0.4\text{ to }12\text{ MHz}$ XIN input high and low width ( $t_{XL}$ , $t_{XH}$ )	42	-	1250	ns

**Table 7.17** Main Oscillation Stabilization Characteristics



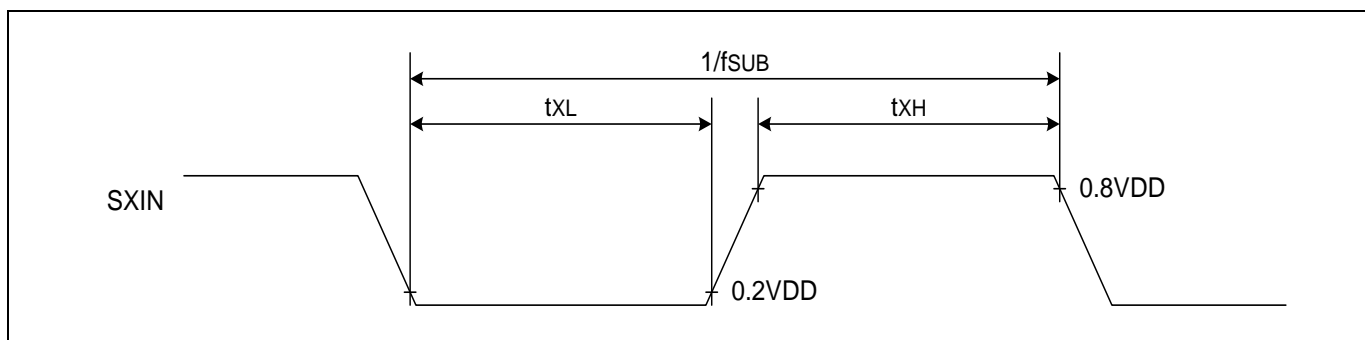
**Figure 7.8** Clock Timing Measurement at XIN

### 7.18 Sub Oscillation Stabilization Characteristics

( $T_A = -40^{\circ}\text{C} \sim +85^{\circ}\text{C}$ ,  $V_{DD} = 1.8\text{V} \sim 3.6\text{V}$ )

Oscillator	Conditions	Min	Typ.	Max	Units
Crystal	-	-	-	10	sec
	$V_{DD} = 3.0\text{V}$ , $T_A = 25^{\circ}\text{C}$	-	0.7	1.5	
External Clock	SXIN input high and low width ( $t_{XL}$ , $t_{XH}$ )	5	-	15	us

**Table 7.18** Sub Oscillation Stabilization Characteristics



**Figure 7.9** Clock Timing Measurement at SXIN

### 7.19 Operating Voltage Range

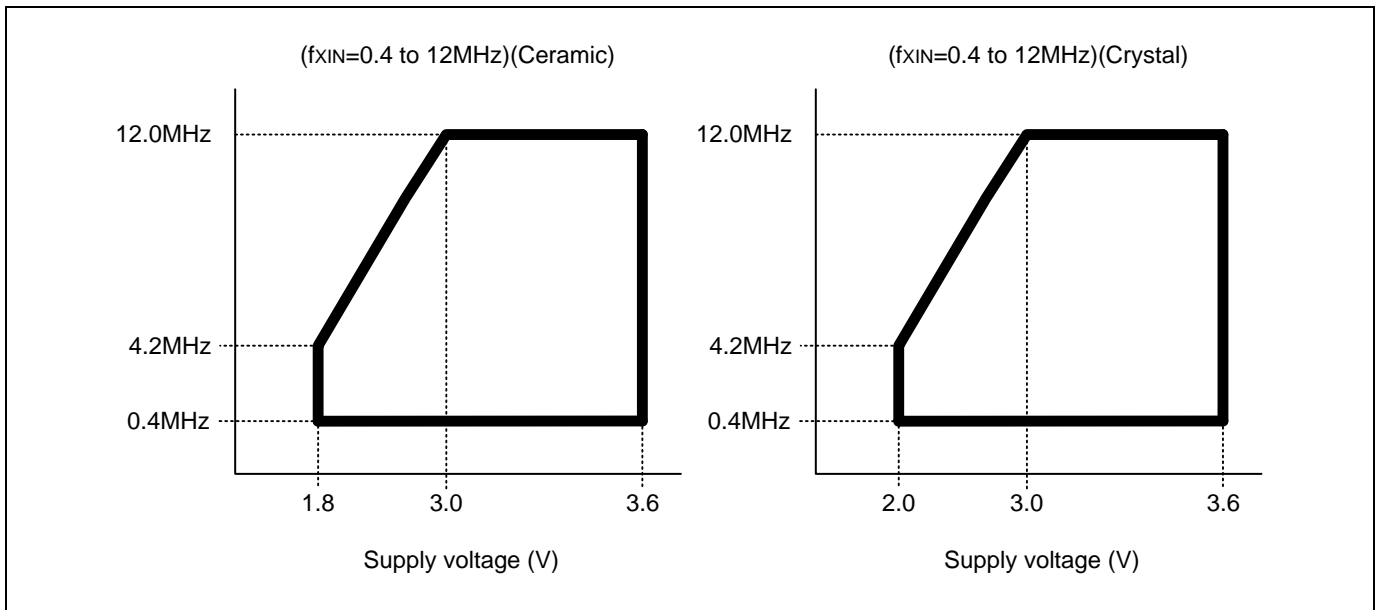


Figure 7.10 Operating Voltage Range (Main OSC)

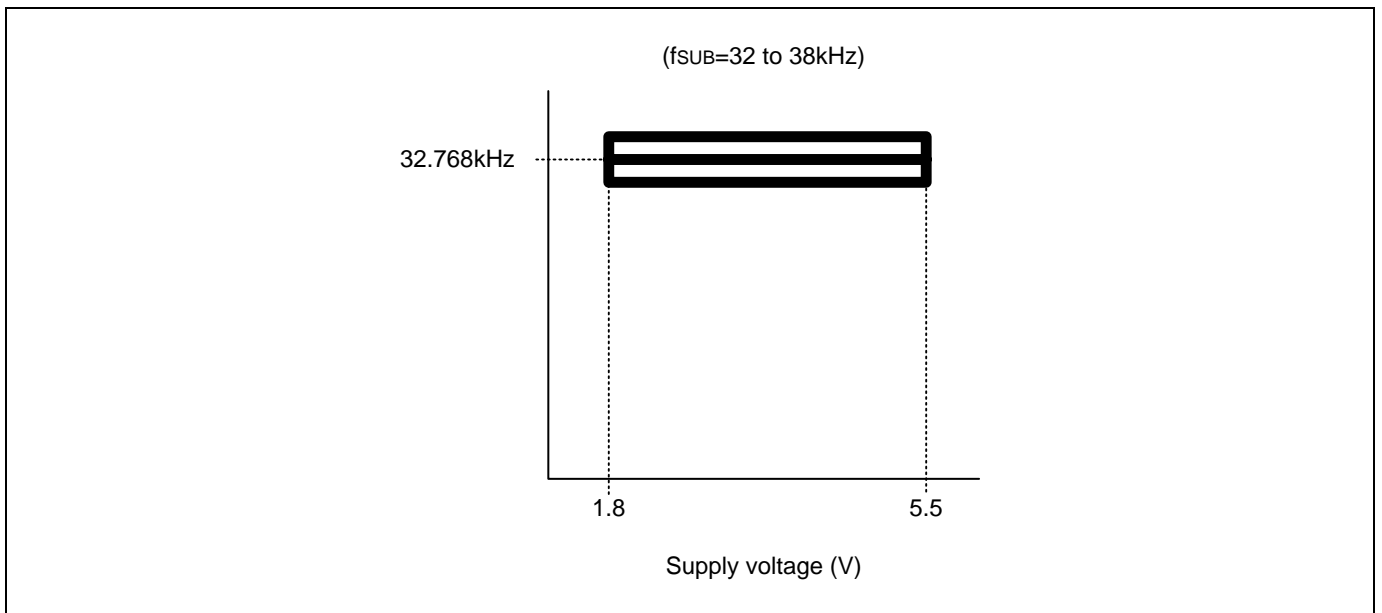


Figure 7.11 Operating Voltage Range (Sub OSC)

### 7.20 Recommended Circuit and Layout

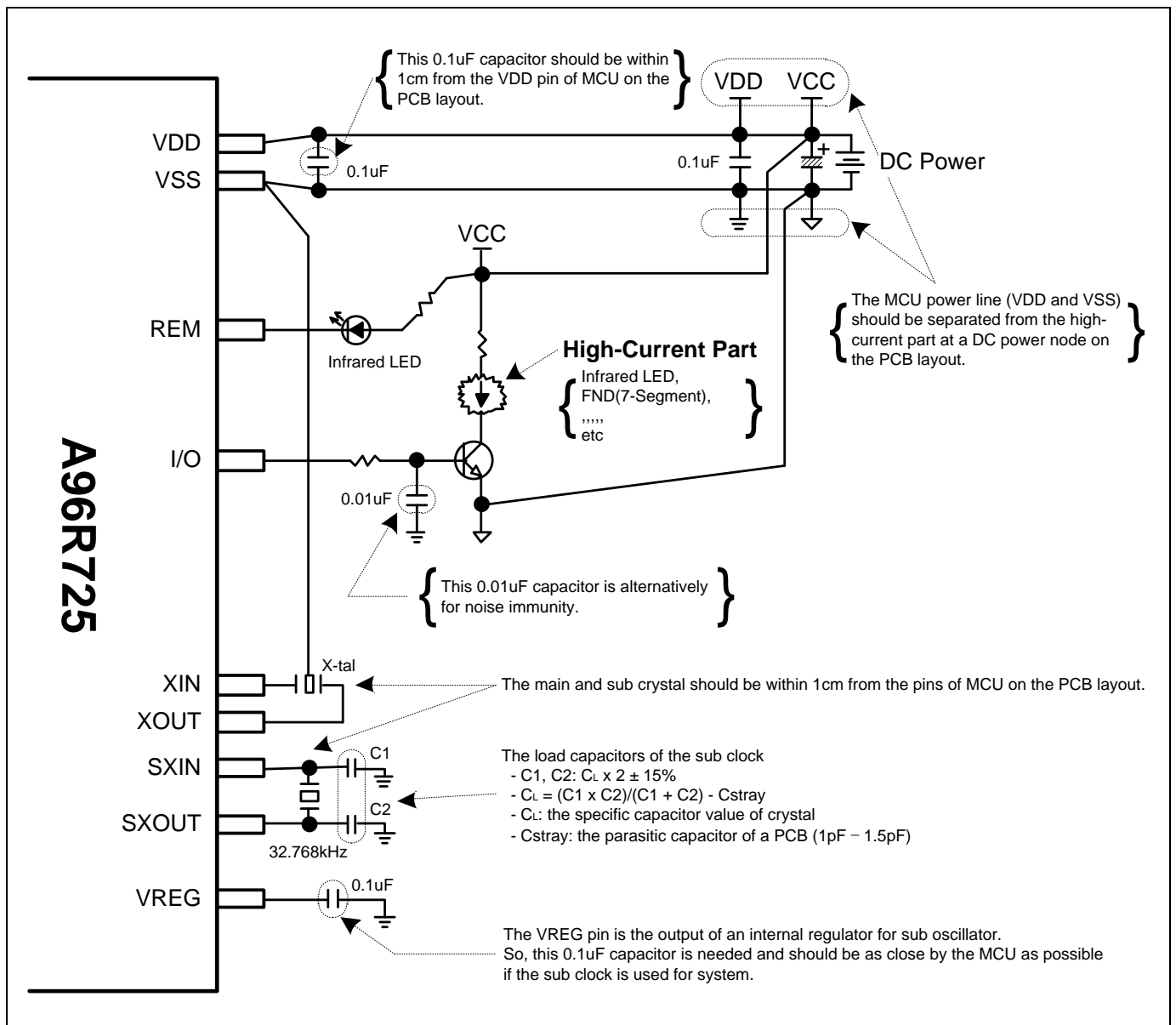


Figure 7.12 Recommended Circuit and Layout

## 7.21 Recommended Circuit for Remote controller

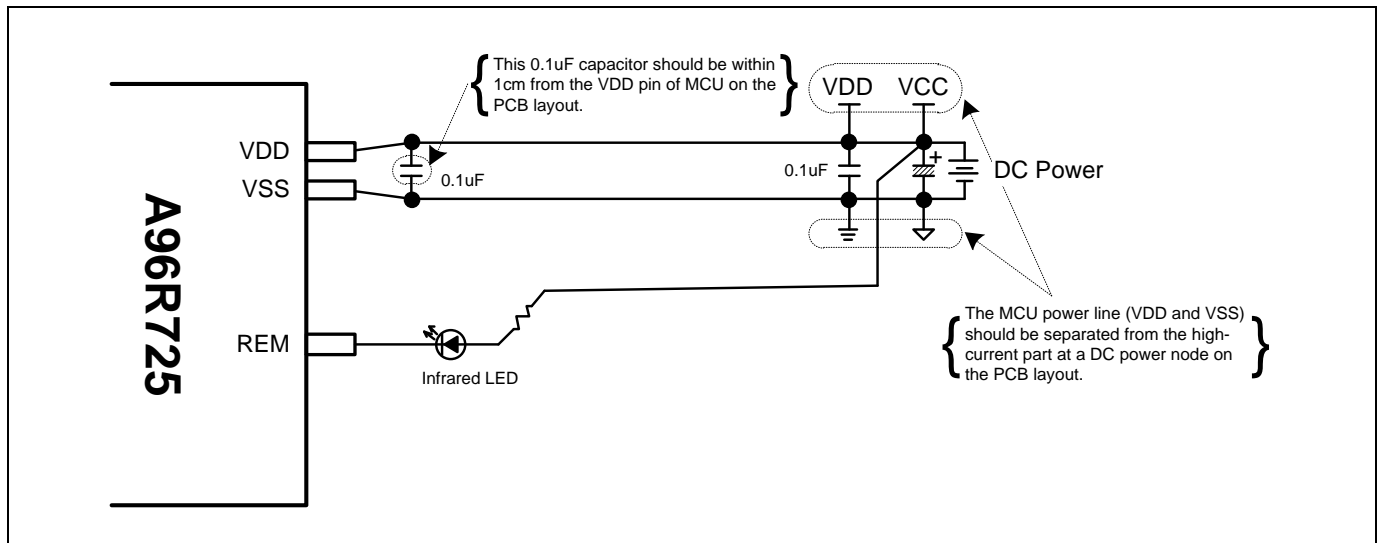


Figure 7.13 Recommended Circuit for Remote controller

## 7.22 Recommended Circuit and Layout with SMPS Power

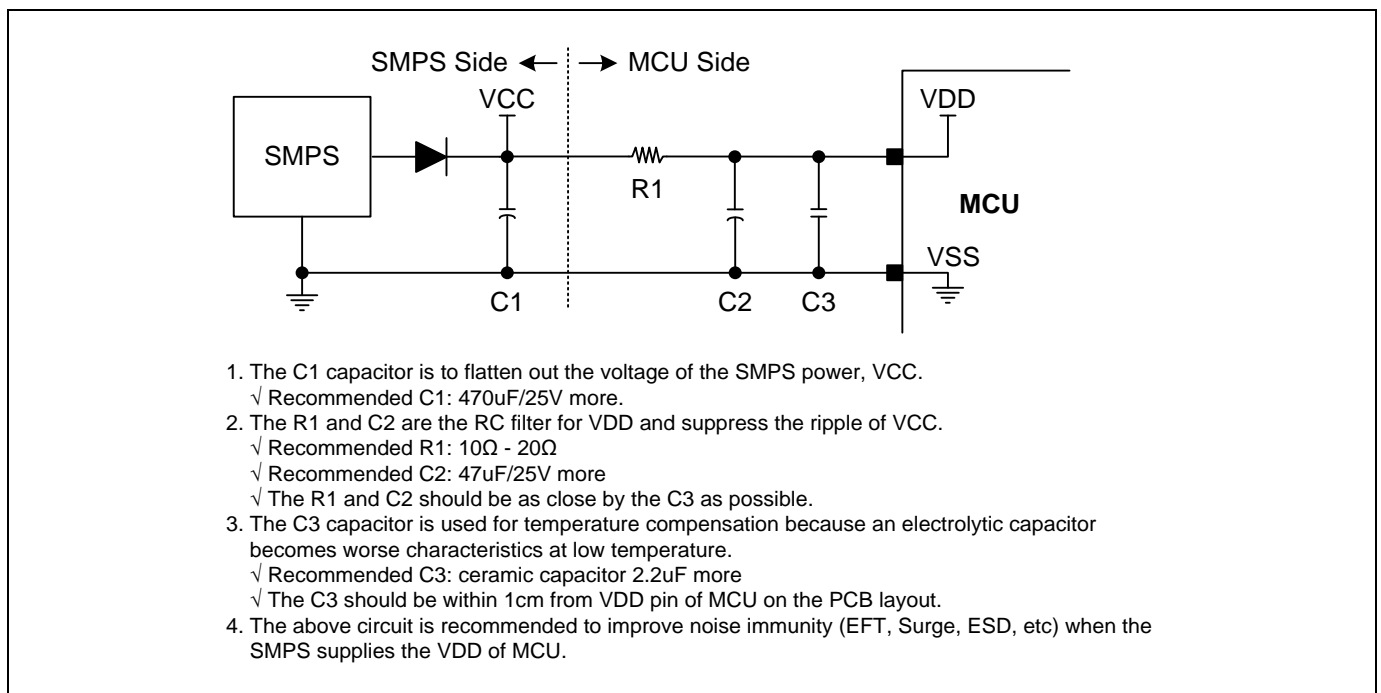


Figure 7.14 Recommended Circuit and Layout with SMPS Power

### 7.23 Typical Characteristics

These graphs and tables provided in this section are only for design guidance and are not tested or guaranteed. In graphs or tables some data are out of specified operating range (e.g. out of specified VDD range). This is only for information and devices are guaranteed to operate properly only within the specified range.

The data presented in this section is a statistical summary of data collected on units from different lots over a period of time. "Typical" represents the mean of the distribution while "max" or "min" represents (mean + 3 $\sigma$ ) and (mean - 3 $\sigma$ ) respectively where  $\sigma$  is standard deviation.

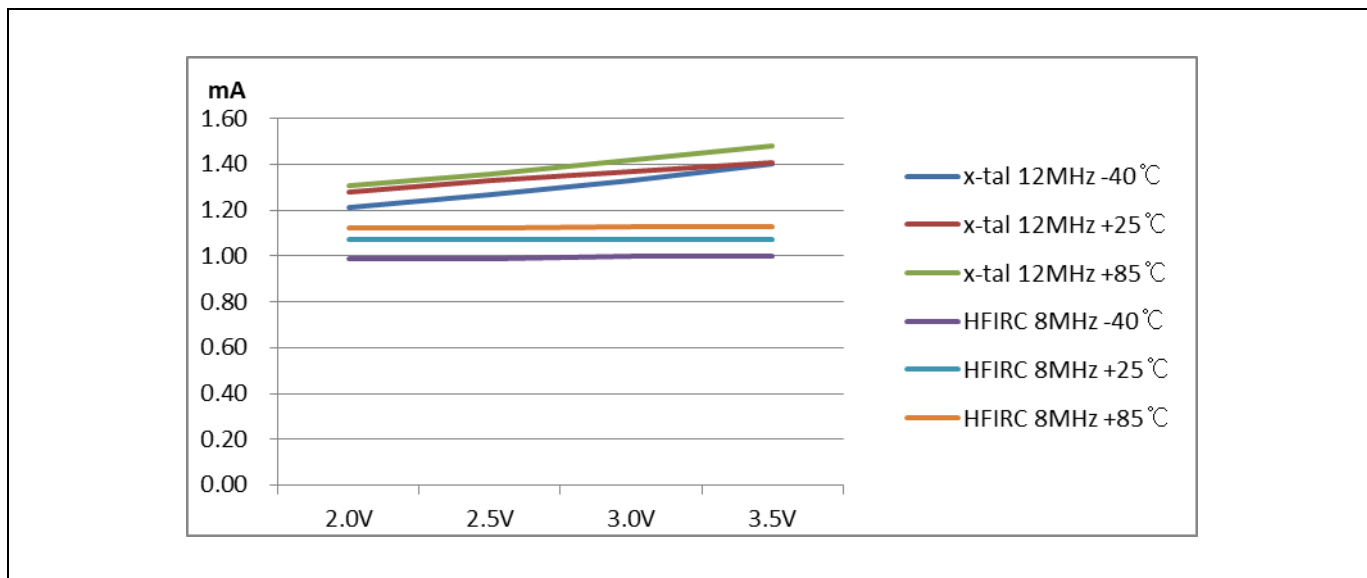


Figure 7.15 RUN (IDD1) Current

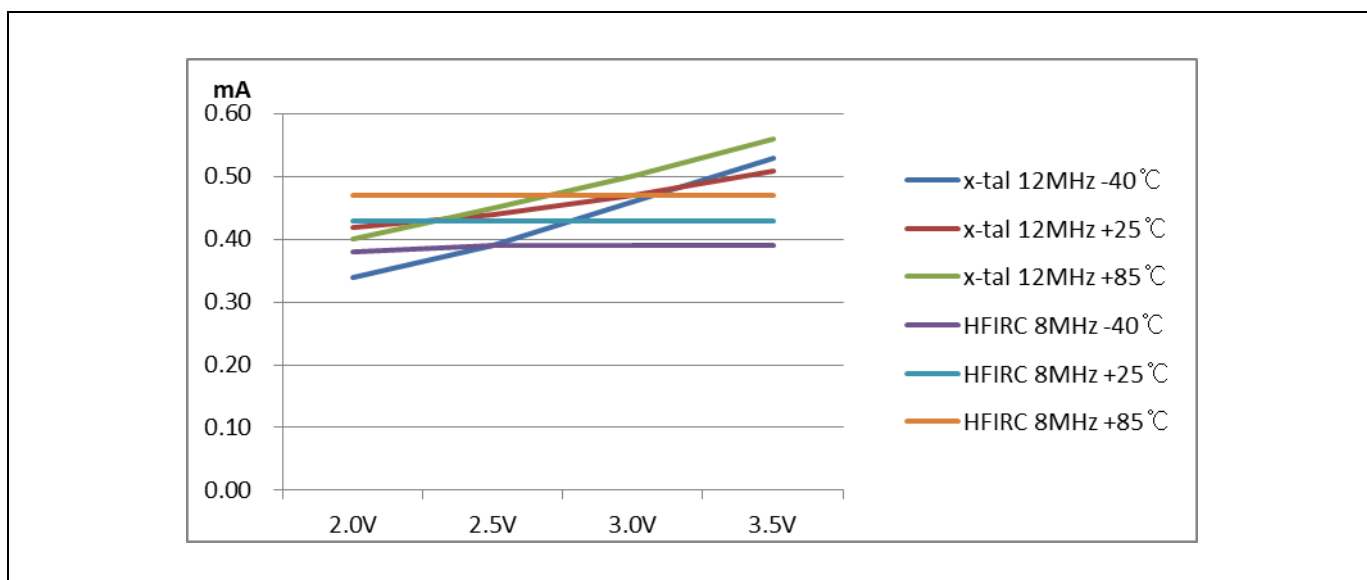


Figure 7.16 IDLE (IDD2) Current

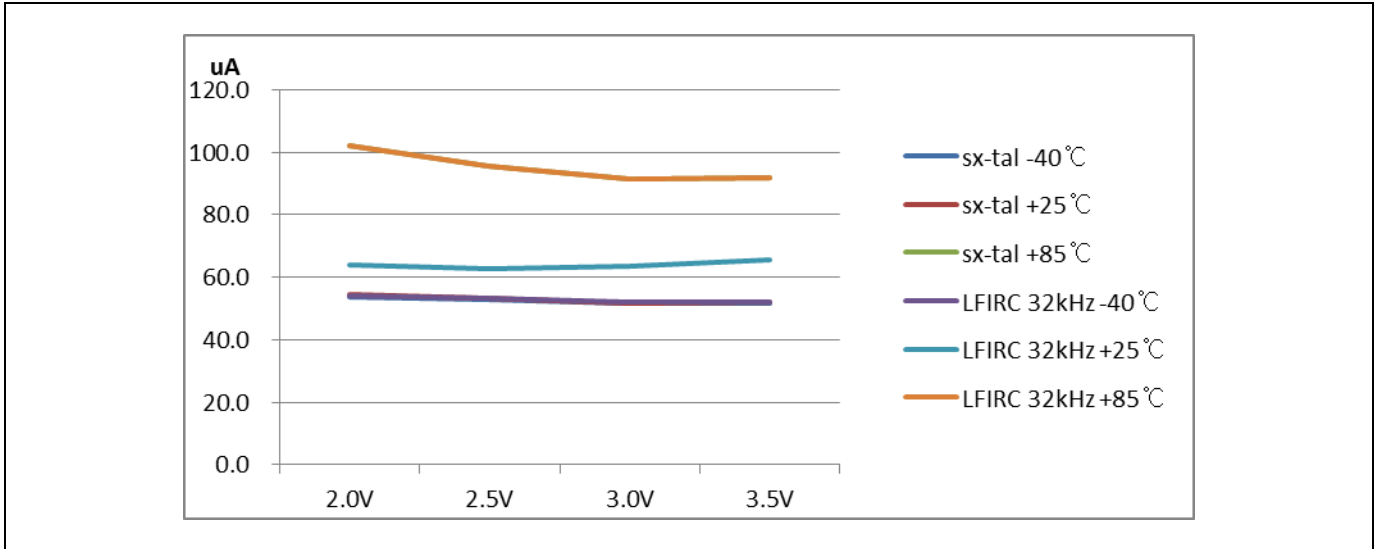


Figure 7.17 RUN (IDD3) Current

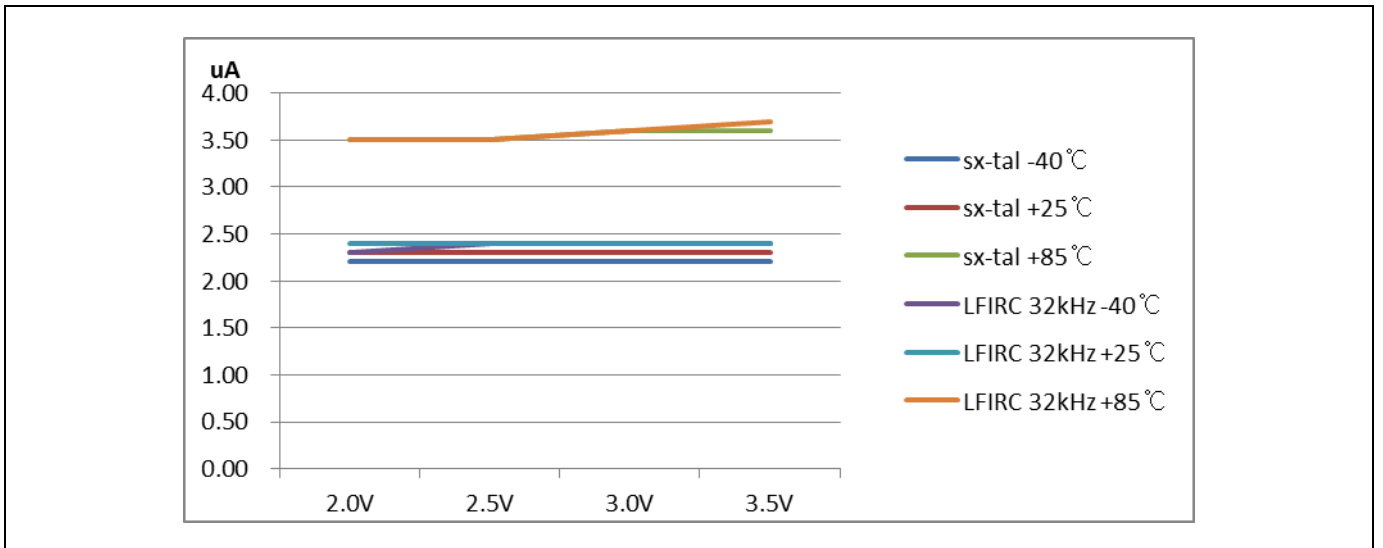
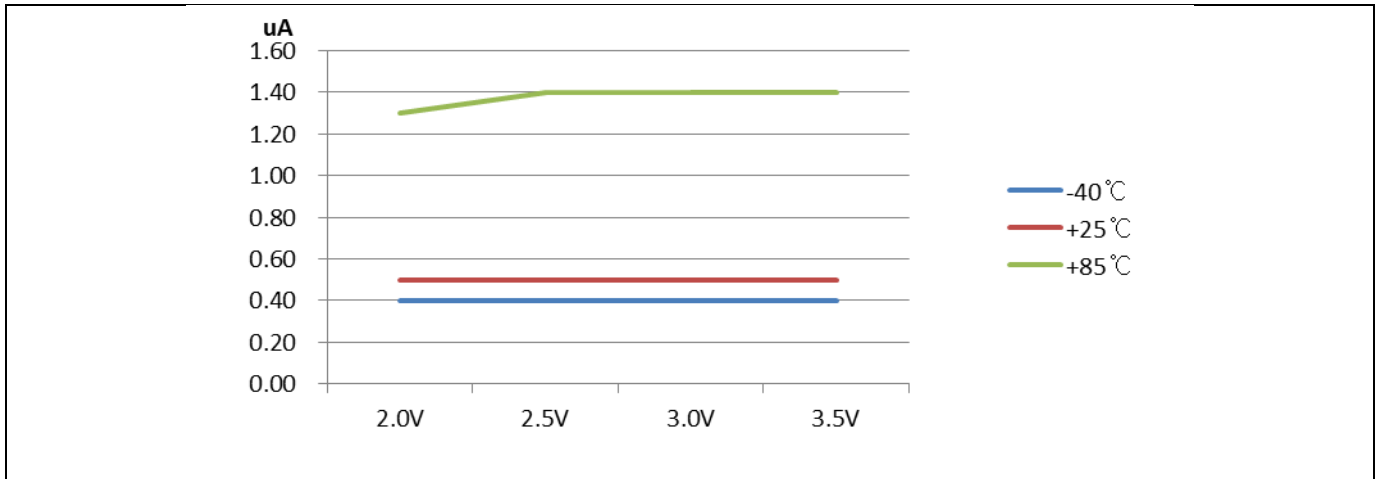


Figure 7.18 IDLE (IDD4) Current



**Figure 7.19** STOP (IDD5) Current



# Table of contents

<b>Revision history</b> .....	<b>2</b>
<b>1 Overview</b> .....	<b>3</b>
1.1 Description .....	3
1.2 Features.....	4
1.3 Development tools .....	5
1.3.1 Compiler .....	5
1.3.2 OCD(On-chip debugger) emulator and debugger .....	5
1.3.3 Programmer.....	6
1.4 MTP programming .....	8
1.4.1 Overview.....	8
1.4.2 On-Board programming.....	8
1.4.3 Circuit Design Guide.....	9
<b>2 Block diagram</b> .....	<b>10</b>
<b>3 Pin assignment</b> .....	<b>11</b>
<b>4 Package Diagram</b> .....	<b>13</b>
<b>5 Pin Description</b> .....	<b>14</b>
<b>6 Port Structures</b> .....	<b>19</b>
6.1 General Purpose I/O Port .....	19
6.2 External Interrupt I/O Port.....	20
<b>7 Electrical Characteristics</b> .....	<b>21</b>
7.1 Absolute Maximum Ratings .....	21
7.2 Recommended Operating Conditions .....	21
7.3 A/D Converter Characteristics .....	22
7.4 Power-On Reset Characteristics .....	23
7.5 Low Voltage Reset and Low Voltage Indicator Characteristics .....	24
7.6 High Frequency Internal RC Oscillator Characteristics .....	25
7.7 Low Frequency Internal RC Oscillator Characteristics .....	25
7.8 Internal Watch-Dog Timer RC Oscillator Characteristics.....	25
7.9 LCD Voltage Characteristics.....	26
7.10 DC Characteristics .....	27
7.11 DC Characteristics (Continued) .....	28
7.11 AC Characteristics .....	29
7.12 Data Retention Voltage in Stop Mode .....	30
7.13 Internal Flash Rom Characteristics .....	31
7.14 Input/Output Capacitance .....	31
7.15 Main Clock Oscillator Characteristics .....	32
7.16 Sub Clock Oscillator Characteristics .....	33
7.17 Main Oscillation Stabilization Characteristics .....	34
7.18 Sub Oscillation Stabilization Characteristics .....	34
7.19 Operating Voltage Range .....	35
7.20 Recommended Circuit and Layout .....	36
7.21 Recommended Circuit for Remote controller .....	37
7.22 Recommended Circuit and Layout with SMPS Power .....	37
7.23 Typical Characteristics.....	38
<b>Table of contents</b> .....	<b>41</b>

**Korea****Regional Office, Seoul**

R&D, Marketing & Sales  
8th Fl., 330, Yeongdong-daero,  
Gangnam-gu, Seoul,  
06177, Korea

Tel: +82-2-2193-2200

Fax: +82-2-508-6903

[www.abovsemi.com](http://www.abovsemi.com)

**Domestic Sales Manager**

Tel: +82-2-2193-2206

Fax: +82-2-508-6903

Email: [sales\\_kr@abov.co.kr](mailto:sales_kr@abov.co.kr)

**HQ, Ochang**

R&D, QA, and Test Center  
93, Gangni 1-gil, Ochang-eup, Cheongwon-gun,  
Chungcheongbuk-do, 28126, Korea

Tel: +82-43-219-5200

Fax: +82-43-217-3534

[www.abovsemi.com](http://www.abovsemi.com)

**Global Sales Manager**

Tel: +82-2-2193-2281

Fax: +82-2-508-6903

Email: [sales\\_gl@abov.co.kr](mailto:sales_gl@abov.co.kr)

**China Sales Manager**

Tel: +86-755-8287-2205

Fax: +86-755-8287-2204

Email: [sales\\_cn@abov.co.kr](mailto:sales_cn@abov.co.kr)

**ABOV Disclaimer****IMPORTANT NOTICE – PLEASE READ CAREFULLY**

ABOV Semiconductor ("ABOV") reserves the right to make changes, corrections, enhancements, modifications, and improvements to ABOV products and/or to this document at any time without notice. ABOV does not give warranties as to the accuracy or completeness of the information included herein. Purchasers should obtain the latest relevant information of ABOV products before placing orders. Purchasers are entirely responsible for the choice, selection, and use of ABOV products and ABOV assumes no liability for application assistance or the design of purchasers' products. No license, express or implied, to any intellectual property rights is granted by ABOV herein. ABOV disclaims all express and implied warranties and shall not be responsible or liable for any injuries or damages related to use of ABOV products in such unauthorized applications. ABOV and the ABOV logo are trademarks of ABOV. All other product or service names are the property of their respective owners. Information in this document supersedes and replaces the information previously supplied in any former versions of this document.

© 2018 ABOV Semiconductor – All rights reserved