

Ultra-Low Power Cortex-M0+ Microcontroller Flash 64/32KB, SRAM 8KB, ADC, Comparator, LCD Driver

Datasheet version 1.40

Features

- High performance Cortex-M0+ core
- 64/32KB code flash memory
- 8KB SRAM, 32-byte backup register
- Watchdog Timer
- Real time clock and calendar
- Five general purpose timers
 - Periodic, one-shot, PWM, capture
- 12-bit ADC, 1Msps, down to 1.65V
 - 16-channel inputs
- Two comparators, down to 1.65V
- External communication ports
 - 1xUSART, 2xUART, 1xLPUART, 2xSC
 - 2xI2C, up to 1Mbps
 - 2xSPI, up to 16Mbps
- Clock monitoring function for system clock
- LCD driver for up to 8x29 segments
 - 16-step contrast control
- 8/16/32-bit CRC unit, 128-bit unique ID
- Five DMA channels
- SWD debug interface
- Supports USART (UART + SPI) ISP
- Ultra-low power tech
 - 1.65V to 3.6V Supply voltage
 - 78uA/MHz in Run mode
 - 12uA in Run mode (32.768kHz, 40kHz)
 - 1.3uA Deep sleep + RTCC + retention
 - 0.6uA Deep sleep with power control
 - 8us wakeup time from all power modes
- Six types of package options
 - LQFP64-1010, LQFP48-0707
 - LQFP32-0707, QFN32-0505
 - TSSOP28, QFN24-0404
- Operating temperature, -40°C to +105°C
 - Commercial and Industrial grade

Applications

- Smart meters, Smart card readers
- Door lock, Building & Home control
- IoT devices, Wireless sensor networks
- Portable healthcare
- Portable consumer electronics, etc.

Product Selection Table

Table 1. Device Summary

Part Number	Flash	SRAM	USART	UART	LPUART	SC	I2C	SPI	TIMER	ADC	I/O	Package
A31L123RL	64KB	8KB	1	2	1	2	2	2	5	16ch	52	64LQFP-1010
A31L123CL*	64KB	8KB	1	2	1	2	2	1	5	10ch	38	48LQFP-0707
A31L123KN*	64KB	8KB	1	2	0	2	1	1	5	10ch	26	32LQFP-0707
A31L123KU*	64KB	8KB	1	2	0	2	1	1	5	10ch	28	32QFN-0505
A31L123GR*	64KB	8KB	1	1	0	1	1	1	4	9ch	24	28TSSOP
A31L123LU*	64KB	8KB	1	1	0	0	1	1	4	9ch	20	24QFN
A31L122RL*	32KB	8KB	1	2	1	2	2	2	5	16ch	52	64LQFP-1010
A31L122CL*	32KB	8KB	1	2	1	2	2	1	5	10ch	38	48LQFP-0707
A31L122KN*	32KB	8KB	1	2	0	2	1	1	5	10ch	26	32LQFP-0707
A31L122KU*	32KB	8KB	1	2	0	2	1	1	5	10ch	28	32QFN-0505
A31L122GR*	32KB	8KB	1	1	0	1	1	1	4	9ch	24	28TSSOP
A31L122LU*	32KB	8KB	1	1	0	0	1	1	4	9ch	20	24QFN

* For available options or further information on the devices with "*" marks, please contact [the ABOV Sales Office](#).

Contents

1	Description	9
1.1	Device overview	10
1.2	Block diagram	11
1.3	Functional description	12
1.3.1	ARM Cortex-M0+	12
1.3.2	Nested Vector-Interrupt Controller (NVIC)	12
1.3.3	64KB Internal Code Flash Memory	12
1.3.4	8KB Internal SRAM	12
1.3.5	Boot Logic	12
1.3.6	System Control Unit (SCU)	12
1.3.7	Power Management Unit (PMU)	13
1.3.8	24-bit Watchdog Timer (WDT)	13
1.3.9	Multi-purpose 16-bit Timer	13
1.3.10	Real time clock and calendar	13
1.3.11	USART (UART and SPI)	13
1.3.12	Inter-Integrated Circuit Interface (I2C)	13
1.3.13	Serial Peripheral Interface (SPI)	13
1.3.14	Universal Asynchronous Receiver/Transmitter (UART)	13
1.3.15	Low Power Universal Asynchronous Receiver/Transmitter (LPUART)	14
1.3.16	Smartcard Interface (SC)	14
1.3.17	General PORT I/Os	14
1.3.18	12-bit Analog-to-Digital Converter (ADC)	14
1.3.19	Comparator	14
1.3.20	LCD Driver/Controller	14
1.3.21	Cyclic Redundancy Check (CRC) Generator	14
2	Pinouts and pin descriptions	15
2.1	Pinouts	15
2.2	Pin description	21
3	System and memory overview	28
3.1	Cortex [®] -M0+ core	28
3.2	Interrupt controller	28
3.3	Boot mode	30
3.4	SWD debug mode and E-PGM+ connection	32
3.5	Memory organization	33
3.5.1	Memory map	33
3.5.2	Internal SRAM	34
3.5.3	Flash memory	34
3.5.4	Configure option area	36
4	SCU (System Control Unit)	38
4.1	SCU block diagram	38
4.2	Clock system	38
4.2.1	HCLK clock domain	40
4.2.2	Miscellaneous clock domain	40
4.2.3	PCLK clock domain	40
4.2.4	Clock configuration procedure	41
4.3	Reset	42
4.3.1	Cold reset	43
4.3.2	Warm reset	44
4.3.3	LVR reset	44

4.4	Operation mode	45
4.4.1	Run mode	45
4.4.2	Sleep mode	45
4.4.3	Deep sleep mode	45
4.5	Pins for SCU	46
5	PMU	47
5.1	PMU block diagram	47
6	PCU and GPIO	48
6.1	PCU and GPIO block diagrams	48
6.2	I/O port block diagram	49
6.3	Pin multiplexing	49
7	WDT	53
7.1	WDT block diagram	53
8	RTCC	54
8.1	RTCC block diagram	54
9	Timer counter 40/41/42/43 and Timer counter 50	55
9.1	Timer counter 40/41/42/43	55
9.1.1	Timer counter 40/41/42/43 block diagram	55
9.1.2	Pins for Timer counter 40/41/42/43	56
9.2	Timer counter 50	57
9.2.1	Timer counter 50 block diagram	58
9.2.2	Pins for Timer counter 50	58
10	High speed 12-bit ADC	59
10.1	12-bit ADC block diagram	59
10.2	Pins for 12-bit ADC	61
11	Comparator 0/1	62
11.1	Comparator 0/1 block diagram	62
11.2	Pins for Comparator 0/1	64
12	USART 10, UART 0/1, and LPUART	65
12.1	USART 10	65
12.1.1	USART 10 block diagram	66
12.1.2	Pins for USART 10	67
12.2	UART 0/1	68
12.2.1	UART 0/1 block diagram	69
12.2.2	Pins for UART 0/1	69
12.3	LPUART	70
12.3.1	LPUART block diagram	70
12.3.2	Pins for LPUART	71
13	I2C 0/1, SPI 0/1, and smartcard 0/1 interface	72
13.1	I2C 0/1 interface	72
13.1.1	I2C 0/1 block diagram	72
13.1.2	Pins for I2C 0/1	73
13.2	SPI 0/1 interface	73
13.2.1	SPI 0/1 block diagram	74
13.2.2	Pins for SPI 0/1	74
13.3	Smartcard interface 0/1	74
13.3.1	Smartcard interface 0/1 block diagram	75
13.3.2	Pins for Smartcard interface 0/1	76
14	LCD driver	77
14.1	LCD driver block diagram	77

14.2	Pins for LCD driver.....	78
15	CRC and checksum	79
15.1	CRC and checksum block diagram.....	79
16	DMA controller.....	81
16.1	DMA controller block diagram	81
17	Electrical characteristics.....	82
17.1	Absolute maximum ratings.....	82
17.2	Recommended operating conditions	83
17.3	ADC characteristics.....	84
17.4	Power-on reset characteristics.....	85
17.5	Comparator characteristics	85
17.6	Low voltage reset/ indicator characteristics	86
17.7	High frequency internal RC oscillator characteristics	87
17.8	Internal watchdog timer RC oscillator characteristics	87
17.9	LCD voltage characteristics	88
17.10	DC electrical characteristics.....	89
17.11	Supply current characteristics.....	90
17.12	AC characteristics	91
17.13	SPI characteristics	92
17.14	I2C characteristics.....	93
17.15	UART timing characteristics.....	94
17.16	Data retention voltage in Stop mode.....	95
17.17	Internal flash characteristics	95
17.18	Input/ output capacitance.....	95
17.19	Main oscillator characteristics	96
17.20	Sub-oscillator characteristics	97
17.21	Main oscillation stabilization time	98
17.22	Sub-oscillation stabilization time	99
17.23	Operating voltage range	99
17.24	Recommended circuit and layout.....	100
18	Package information	102
18.1	64 LQFP package information	102
18.2	48 LQFP package information	103
18.3	32 LQFP package information	104
18.4	32 QFN package information	105
18.5	28 TSSOP package information.....	106
18.6	24 QFN package information	107
19	Ordering information	108
	Revision history.....	110

List of figures

Figure 1. A31L12x Series Block Diagram	11
Figure 2. LQFP-64 Pinouts	15
Figure 3. LQFP-48 Pinouts	16
Figure 4. LQFP-32 Pinouts	17
Figure 5. QFN-32 Pinouts	18
Figure 6. TSSOP-28 Pinouts.....	19
Figure 7. QFN-24 Pinouts	20
Figure 8. Connection Diagram of UART Boot.....	31
Figure 9. Connection Diagram of SPI Boot.....	32
Figure 10. Connection between A31L12x Series and E-PGM+ using SWD Debugger Interface	32
Figure 11. Main Memory Map	33
Figure 12. Internal Flash Memory Block Diagram	35
Figure 13. Configure Option Area Structure.....	36
Figure 14. SCU Block Diagram	38
Figure 15. Clock Source Configuration	39
Figure 16. Miscellaneous Clock Configuration.....	40
Figure 17. Clock Configuration Procedure	42
Figure 18. Power-up POR Sequence	43
Figure 19. Reset Configuration	44
Figure 20. LVR Reset Timing Diagram.....	45
Figure 21. Operating Mode	45
Figure 22. PMU Block Diagram	47
Figure 23. PCU Block Diagram	48
Figure 24. GPIO Block Diagram	48
Figure 25. I/O Port Block Diagram (General Purpose I/O Pins)	49
Figure 26. I/O Port Block Diagram (5V Tolerant I/O pins).....	49
Figure 27. WDT Block Diagram	53
Figure 28. RTCC Block Diagram.....	54
Figure 29. Timer Counter 40/41/42/43 Block Diagram (n = 40, 41, 42, and 43).....	56
Figure 30. Timer Counter 50 Block Diagram (n = 50).....	58
Figure 31. 12-bit ADC Block Diagram	60
Figure 32. Comparator 0/1 Block Diagram	63
Figure 33. UART Block Diagram of USART (n = 10)	66
Figure 34. SPIn Block Diagram of USART (n = 10).....	67
Figure 35. UART 0/1 Block Diagram.....	69
Figure 36. LPUART Block Diagram	71
Figure 37. I2C Block Diagram (n = 0 and 1)	73
Figure 38. SPI Block Diagram (n = 0 and 1)	74
Figure 39. Smartcard Interface Block Diagram (n = 0 and 1)	76
Figure 40. LCD Driver Block Diagram.....	77
Figure 41. CRC and Checksum Block Diagram.....	80
Figure 42. DMA Controller Block Diagram	81
Figure 43. AC Timing.....	91
Figure 44. SPI Timing.....	92
Figure 45. I2C Timing.....	93
Figure 46. UART Timing Characteristics.....	94
Figure 47. Timing Waveform of UART Module	94
Figure 48. Crystal/Ceramic Oscillator	96
Figure 49. External Clock.....	96

Figure 50. Crystal Oscillator	97
Figure 51. Clock Timing Measurement at XIN	98
Figure 52. Clock Timing Measurement at SXIN	99
Figure 53. Operating Voltage Range	99
Figure 54. Recommended Circuit and Layout	100
Figure 55. Recommended Circuit and Layout with SMPS Power	101
Figure 56. 64 LQFP 10 x 10 Package Outline	102
Figure 57. 48 LQFP 07 x 07 Package Outline	103
Figure 58. 32 LQFP 07 x 07 Package Outline	104
Figure 59. 32 QFN 05 x 05 Package Outline	105
Figure 60. 28 TSSOP Package Outline	106
Figure 61. 24 QFN 04 x 04 Package Outline	107
Figure 62. A31L12x Series Numbering Nomenclature	109

List of tables

Table 1. Device Summary	1
Table 2. A31L12x series features and peripheral counts	10
Table 3. Pin Description	21
Table 3. Pin Description (continued)	22
Table 3. Pin Description (continued)	23
Table 3. Pin Description (continued)	24
Table 3. Pin Description (continued)	25
Table 3. Pin Description (continued)	26
Table 3. Pin Description (continued)	27
Table 4. Interrupt Vector Map	28
Table 4. Interrupt Vector Map (continued)	29
Table 4. Interrupt Vector Map (continued)	30
Table 5. Boot Mode Pin List	31
Table 6. Internal Flash Memory Specification	34
Table 7. Configuration Option Area Map	37
Table 8. Clock Sources	40
Table 9. Pins and External Signals for SCU	46
Table 10. GPIO Alternative Functions	50
Table 10. GPIO Alternative Functions (continued)	51
Table 10. GPIO Alternative Functions (continued)	52
Table 11. Pins and External Signals for Timer Counter 40/41/42/43 (n = 40, 41, 42, and 43)	56
Table 12. Pins and External Signals for Timer Counter 50 (n = 50)	58
Table 13. Pins and External Signals for 12-bit ADC	61
Table 14. Pins and External Signals for Comparator 0/1	64
Table 15. Pins and External Signals for USART 10	67
Table 16. Pins and External Signals for UART 0/1	69
Table 17. Pins and External Signals for LPUART	71
Table 18. Pins and External Signals for I2C (n = 0 and 1)	73
Table 19. Pins and External Signals for SPI (n = 0 and 1)	74
Table 20. Pins and External Signals for Smartcard Interface (n = 0 and 1)	76
Table 21. Pins and External Signals for LCD Driver	78
Table 22. Absolute Maximum Ratings	82
Table 23. Recommended Operating Conditions	83
Table 24. ADC Characteristics	84
Table 25. Power-on Reset Characteristics	85
Table 26. Comparator Characteristics	85
Table 27. Low Voltage Reset Characteristics	86
Table 28. High Frequency Internal RC Oscillator Characteristics	87
Table 29. Internal Watchdog Timer RC Oscillator Characteristics	87
Table 30. LCD Voltage Characteristics	88
Table 31. DC Electrical Characteristics	89
Table 32. Supply Current Characteristics	90
Table 33. AC Characteristics	91
Table 34. SPI Characteristics	92
Table 35. I2C Characteristics	93
Table 36. UART Timing Characteristics	94
Table 37. Data Retention Voltage in Stop Mode	95
Table 38. Internal Flash Characteristics	95
Table 39. Input/ Output Capacitance	95

Table 40. Main Oscillator Characteristics	96
Table 41. Sub-oscillator Characteristics	97
Table 42. Main Oscillation Stabilization Time	98
Table 43. Sub-oscillation Stabilization Time	99
Table 44. A31L12x Series Ordering Information	108

1 Description

The ultra-low power A31L12x series is a microcontroller based on ARM Cortex-M0+ core with a flash memory of up to 64KB, and an SRAM of 8KB. Operation voltage of the device is 1.65V to 3.6V. It provides a highly flexible and cost effective solution for many embedded control applications.

The ultra-low power A31L12x series has 16-bit timers, Real timer and calendar, 12-bit ADC, Comparator, CRC generator, UART, USART, LPUART, I2C, SPI, Smart card interface, LCD driver/controller, DMA, etc. The A31L12x series also has a POR, LVR, LVI, and an internal RC oscillator. The ultra-low power A31L12x series support sleep and deep sleep modes to reduce power consumption. The A31L12x series is suitable for ultra-low power applications.

1.1 Device overview

Table 2. A31L12x series features and peripheral counts

Peripheral	Device	A31L12x
CPU		Cortex-M0+
Flash ROM (Kbytes)		32/64
SRAM (bytes)		8KB, 32-byte backup register
I/O		52 programmable
Timers		Watchdog timer
		Real time clock and calendar
		Four general purpose timers and one low power timer — Periodic, one-shot, PWM, capture mode
LCD driver		<ul style="list-style-type: none"> • 29 segments and 8 commons • Duty selectable, resistor bias, and 16-step contrast control
DMA		Five DMA channels, ADC/USART/UART/I2C/SPI/SCI
ADC		16-channel input, 12-bit ADC with 1Msps, down to 1.65V
Comparator		• Two comparators, down to 1.65V
CRC generator		• 8/16/32-bit CRC generator, CRC-8/16/32, CRC-CCITT
External communication ports		<ul style="list-style-type: none"> • 1 USART (UART + SPI), 2 UARTs, 2 SCIs • 1 LPUART, up to 9600bps with 32.768kHz • 2 I²Cs, up to 1Mbps • 2 SPIs, up to 16Mbps
128-bit Unique ID		Supported
System fail-safe function		Clock monitoring
Debug interface		SWD debug interface
Ultra-low power tech		<ul style="list-style-type: none"> • 1.65V to 3.6V supply voltage • 78uA/MHz in Run mode • 12uA in Run mode (32.768kHz, 40kHz) • 1.3uA deep sleep + RTCC + SRAM retention • 0.6uA deep sleep with power control • 8us wakeup time from all power modes
Packages		LQFP 64-1010 (0.5mm pitch)
		LQFP 48-0707 (0.5mm pitch)
		LQFP 32-0707 (0.8mm pitch)
		QFN 32-0505 (0.5mm pitch)
		TSSOP 28
		QFN 24-0404 (0.4mm pitch)
Operating temperature		-40°C to +85°C (commercial grade)
		-40°C to +105°C (industrial grade)

1.2 Block diagram

Figure 1 shows a block diagram of A31L12x series.

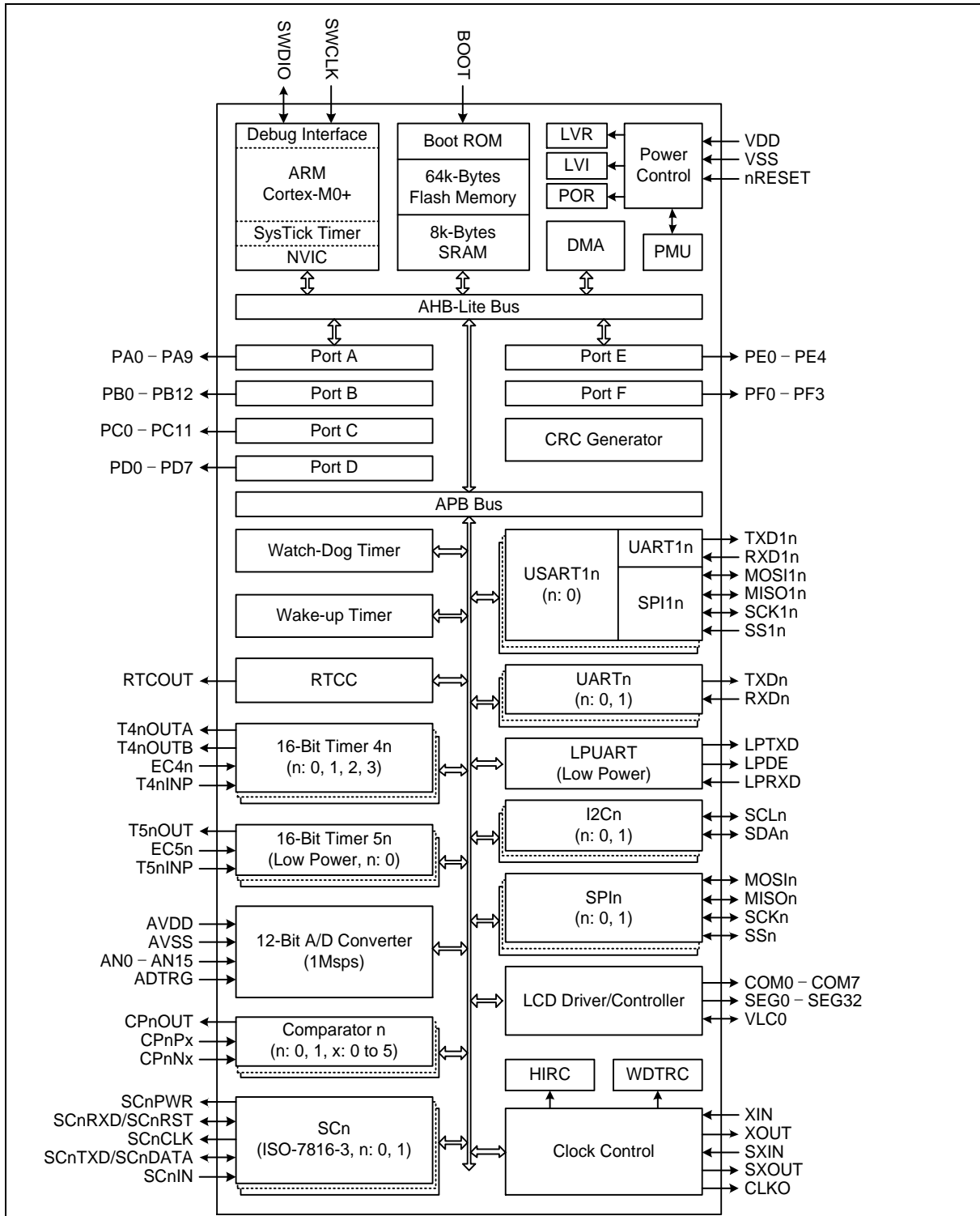


Figure 1. A31L12x Series Block Diagram

1.3 Functional description

The following section provides an overview of the features of the A31L12x series microcontroller.

1.3.1 ARM Cortex-M0+

Cortex-M0+ processor is a very low gate count, highly energy efficient processor that is intended for microcontroller and deeply embedded applications that require an area-optimized, low-power processor.

On core system timer (SYSTICK) provides a simple 24-bit timer to use as a real time operating system (RTOS) or as a simple counter. The processor implements the ARMv6-M Thumb instruction set, including a number of 32-bit instructions that use Thumb-2 technology. Hardware single-cycle multiplication is available.

Integrated Nested Vectored Interrupt Controller (NVIC) provides deterministic interrupt handling.

It also supports SWD debugging features.

1.3.2 Nested Vector-Interrupt Controller (NVIC)

External interrupt signals connect to the NVIC, and the NVIC prioritizes the interrupts. Software can set the priority of each interrupt. The NVIC embedded in the Cortex-M0+ processor core is capable of low latency interrupts processing and efficient processing of late arriving interrupts.

All NVIC registers are only accessible using word transfers.

1.3.3 64KB Internal Code Flash Memory

A31L12x series has built-in 64KB code flash memory. It supports self-programming feature, and supports ISP and JTAG programming in boot or debug mode.

1.3.4 8KB Internal SRAM

On-chip 8KB SRAM is used as a working memory space and as a program code area temporarily.

1.3.5 Boot Logic

A boot logic supports flash programming. The boot logic will be activated when the external boot pin was set to boot mode.

1.3.6 System Control Unit (SCU)

An SCU block manages internal power, clock, reset and operation mode. It also controls the analog blocks (Oscillator Block, VDC and LVR).

1.3.7 Power Management Unit (PMU)

A PMU block manages power of internal core, flash, SRAM, logic, and peripheral block in run, sleep, and deep sleep mode. It also controls the wake-up time from sleep and deep sleep mode

1.3.8 24-bit Watchdog Timer (WDT)

A Watchdog timer monitors the system. It generates internal reset or interrupt to notice abnormal status of the system.

1.3.9 Multi-purpose 16-bit Timer

Four-channel 16-bit timers and one-channel low power general-purposed 16-bit timers support the functions introduced below:

- Periodic timer mode
- Counter mode
- PWM mode
- Capture mode

1.3.10 Real time clock and calendar

A real time clock and a calendar can run in sleep and deep sleep mode. The RTCC is not reset by a system reset except a power-on reset.

1.3.11 USART (UART and SPI)

USART supports UART and SPI mode. The A31L12x series has 1 channel USART module.

Boot mode uses this USART block to download flash program.

1.3.12 Inter-Integrated Circuit Interface (I2C)

A31L12x series has two channels of I2C block and supports up to 1MHz I2C communication. Master and slave modes are available.

1.3.13 Serial Peripheral Interface (SPI)

A31L12x series has two channels of SPI block and supports up to 16MHz communication. Master and slave modes are available.

1.3.14 Universal Asynchronous Receiver/Transmitter (UART)

A31L12x series has two channels of UART block. For accurate baud rate control, a fractional baud-rate generation feature is available.

1.3.15 Low Power Universal Asynchronous Receiver/Transmitter (LPUART)

A31L12x series has one channel of low power UART block. The LPUART is available up to 9600bps with 32.768KHz sub oscillator.

1.3.16 Smartcard Interface (SC)

A31L12x series has two channels of SC blocks. The block supports UART and smartcard mode. The block has also baud-rate compensation, receive time out data, and extra guard time registers.

1.3.17 General PORT I/Os

10-bit PA port, 13-bit PB port, 12-bit PC port, 8-bit PD port, 5-bit PE port, and 4-bit PF port are available and provide multiple functions.

- General I/O port
- External interrupt input port and on-chip input debounce filter
- Programmable pull-up, pull-down, and open-drain selection

1.3.18 12-bit Analog-to-Digital Converter (ADC)

An ADC can convert analog signal at a conversion rate of up to 1MSPS. 16-channel analog MUX provides various combinations of data from external analog signals.

1.3.19 Comparator

A31L12x series has two comparator blocks. The block has an internal reference for channel.

1.3.20 LCD Driver/Controller

An LCD driver supports an internal resistor bias, 16-step contrast control, automatic bias control, and various duties.

1.3.21 Cyclic Redundancy Check (CRC) Generator

A31L12x series has four polynomials for the CRC generator: CRC-CCITT, CRC-8, CRC-16, and CRC-32.

2 Pinouts and pin descriptions

In chapter 2, pinouts and pin descriptions of A31L12x series are introduced.

2.1 Pinouts

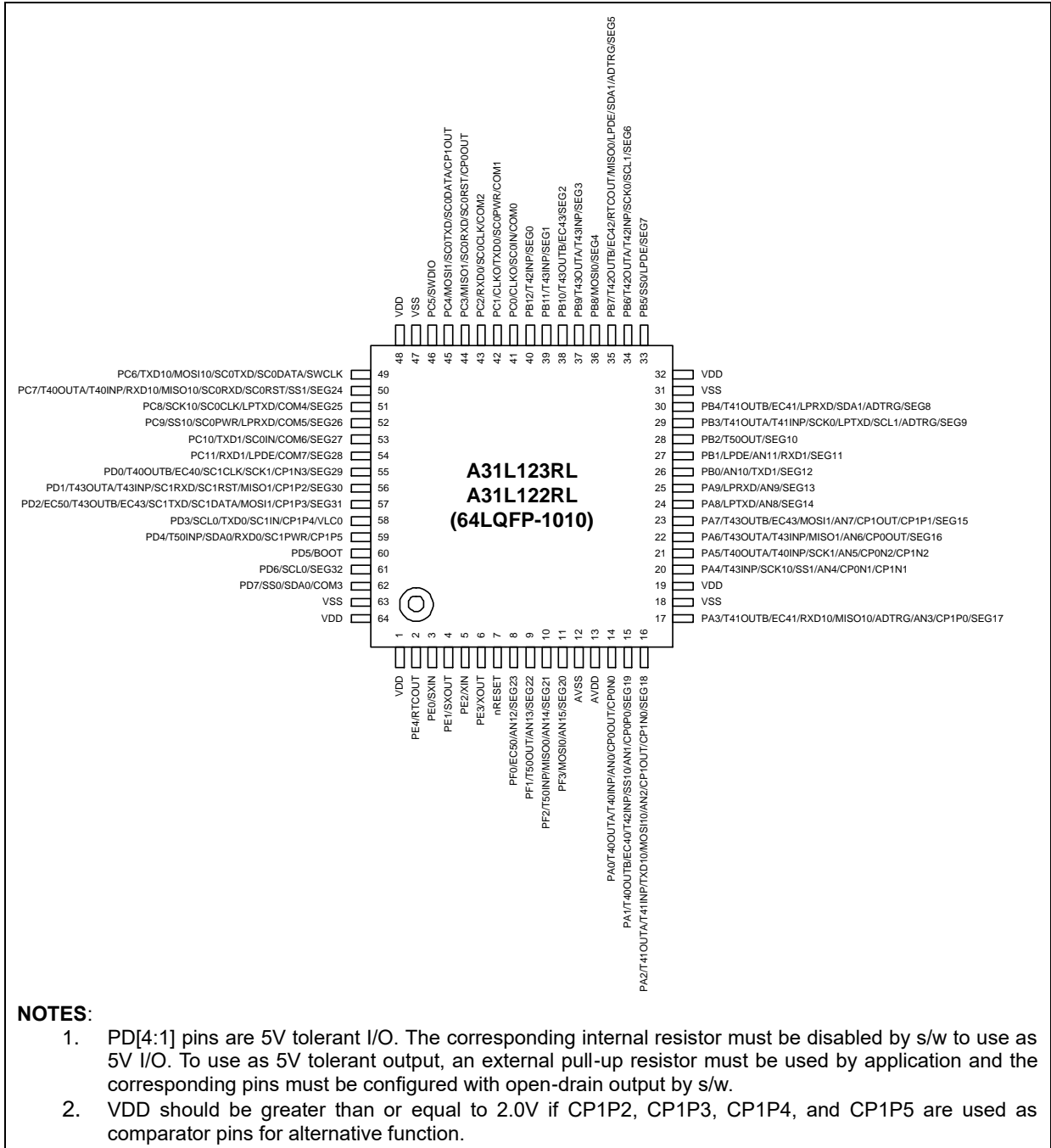


Figure 2. LQFP-64 Pinouts

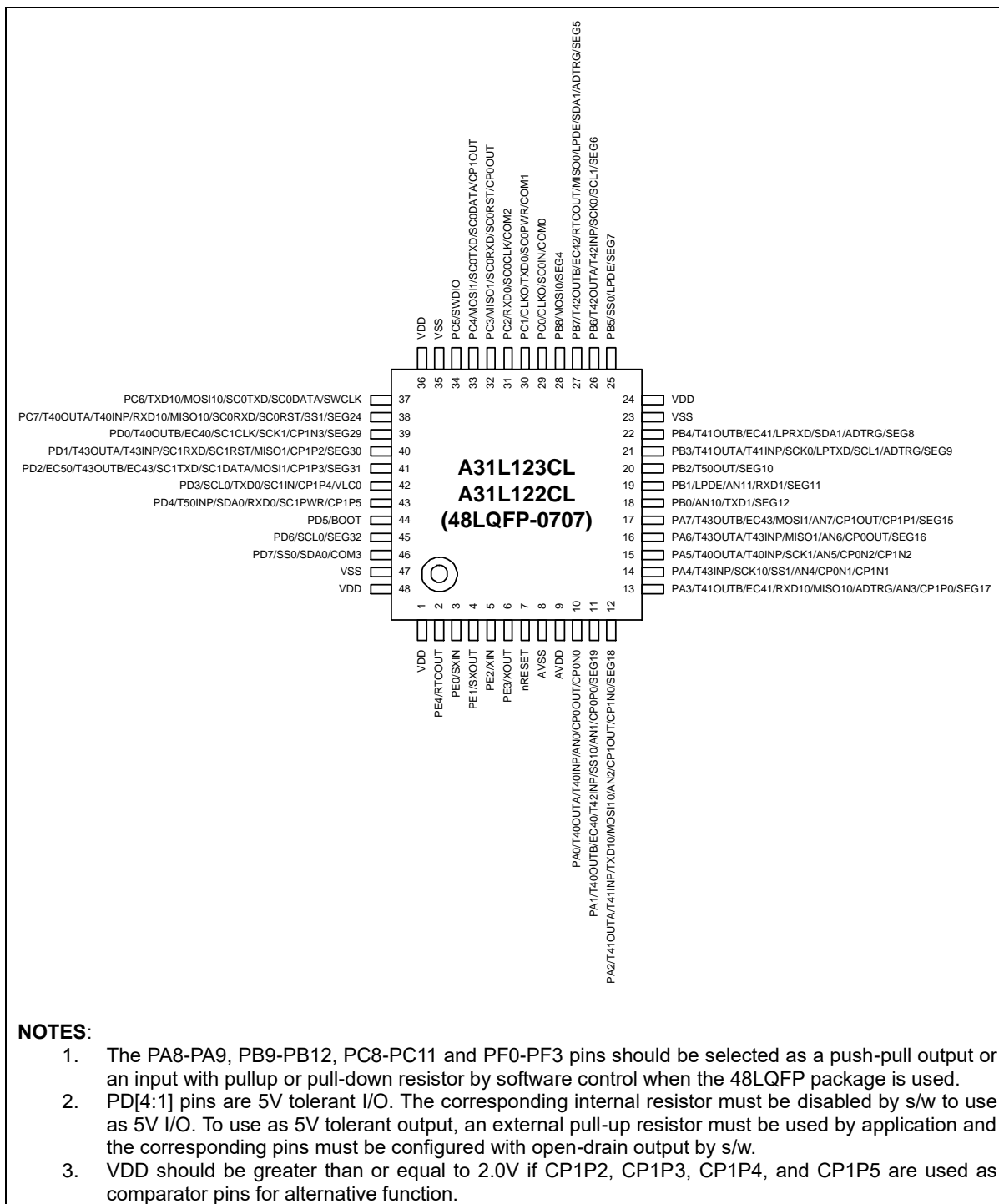


Figure 3. LQFP-48 Pinouts

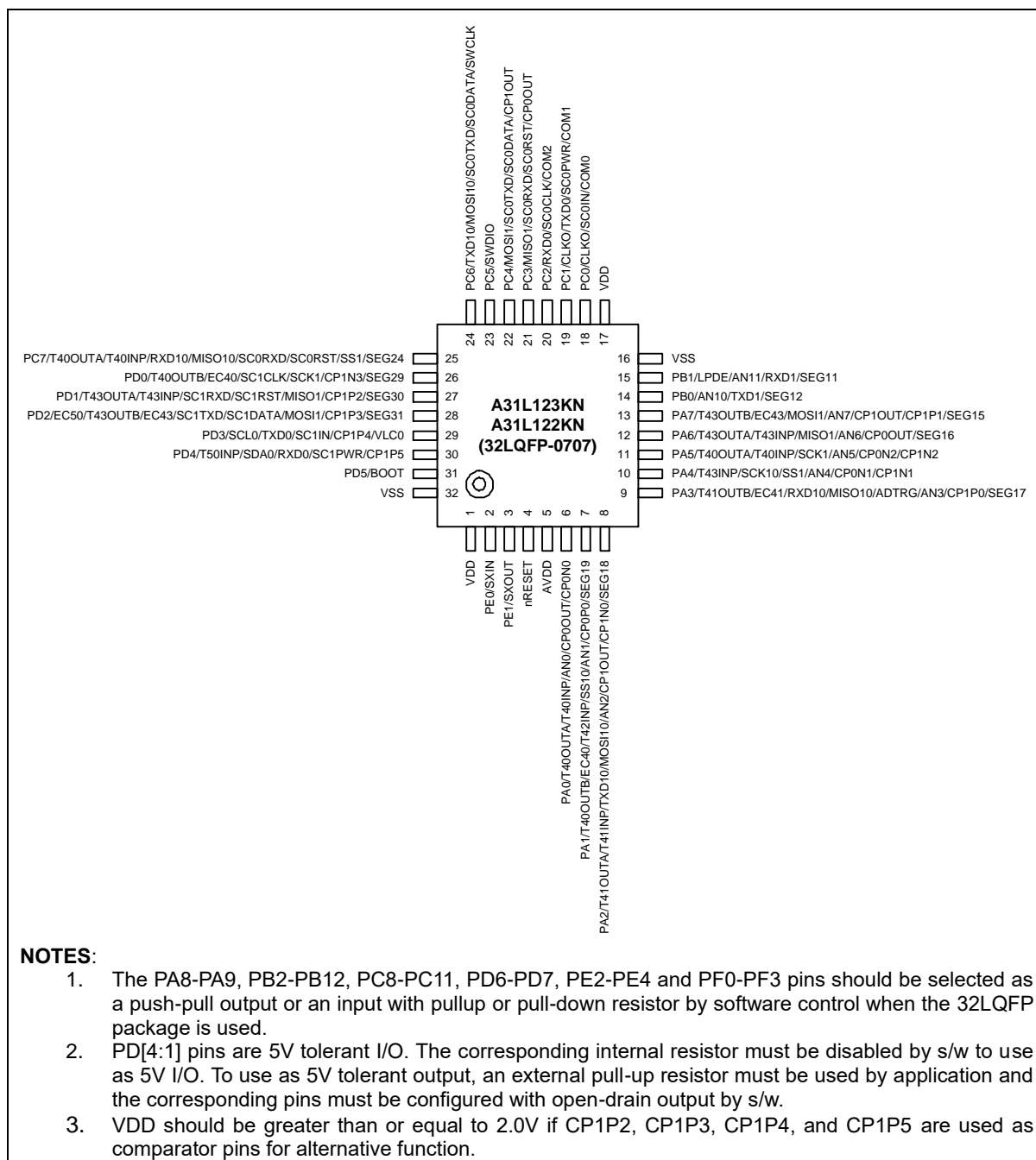


Figure 4. LQFP-32 Pinouts

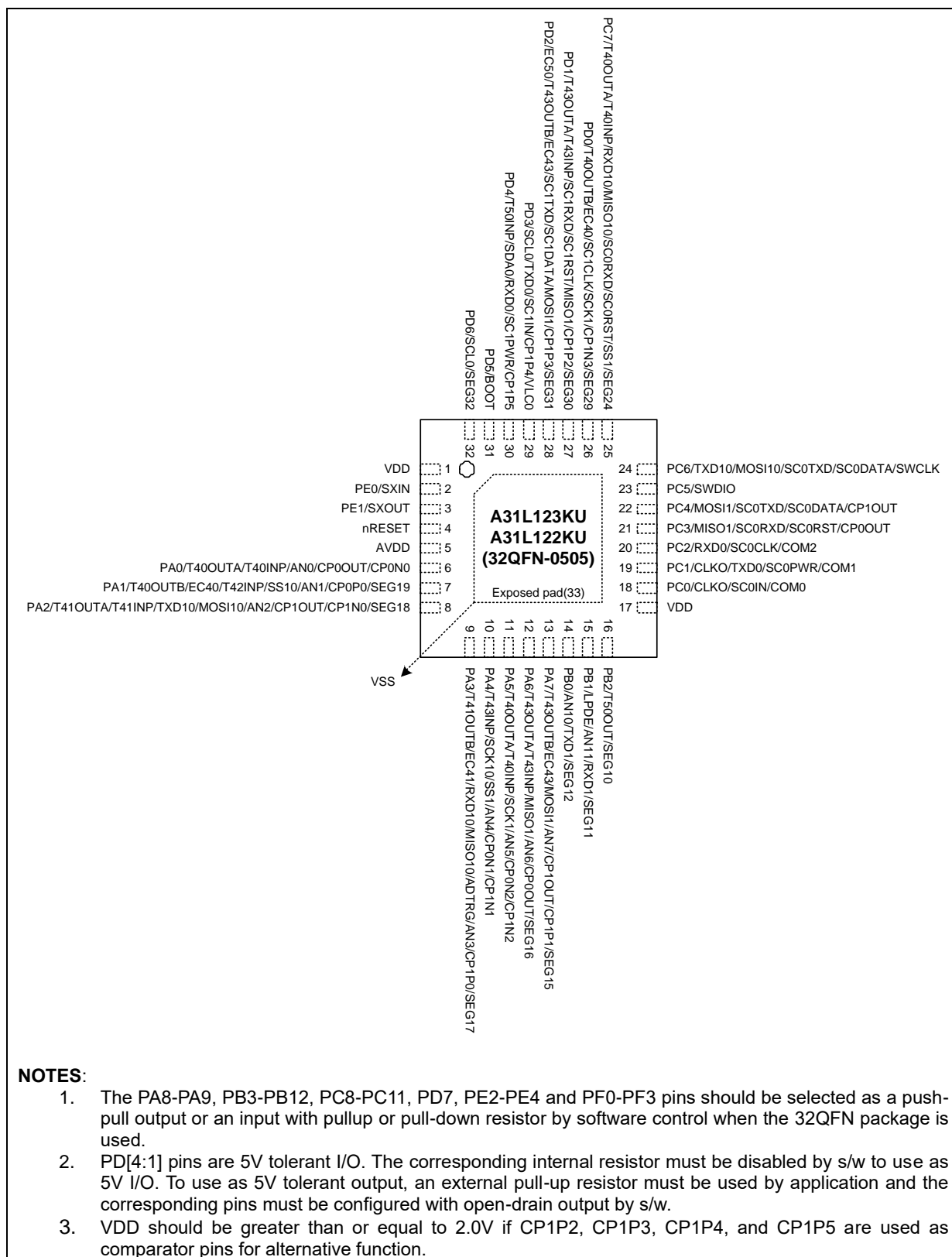


Figure 5. QFN-32 Pinouts

NOTES:

1. The PA8-PA9, PB3-PB12, PC8-PC11, PD7, PE2-PE4 and PF0-PF3 pins should be selected as a push-pull output or an input with pullup or pull-down resistor by software control when the 32QFN package is used.
2. PD[4:1] pins are 5V tolerant I/O. The corresponding internal resistor must be disabled by s/w to use as 5V I/O. To use as 5V tolerant output, an external pull-up resistor must be used by application and the corresponding pins must be configured with open-drain output by s/w.
3. VDD should be greater than or equal to 2.0V if CP1P2, CP1P3, CP1P4, and CP1P5 are used as comparator pins for alternative function.

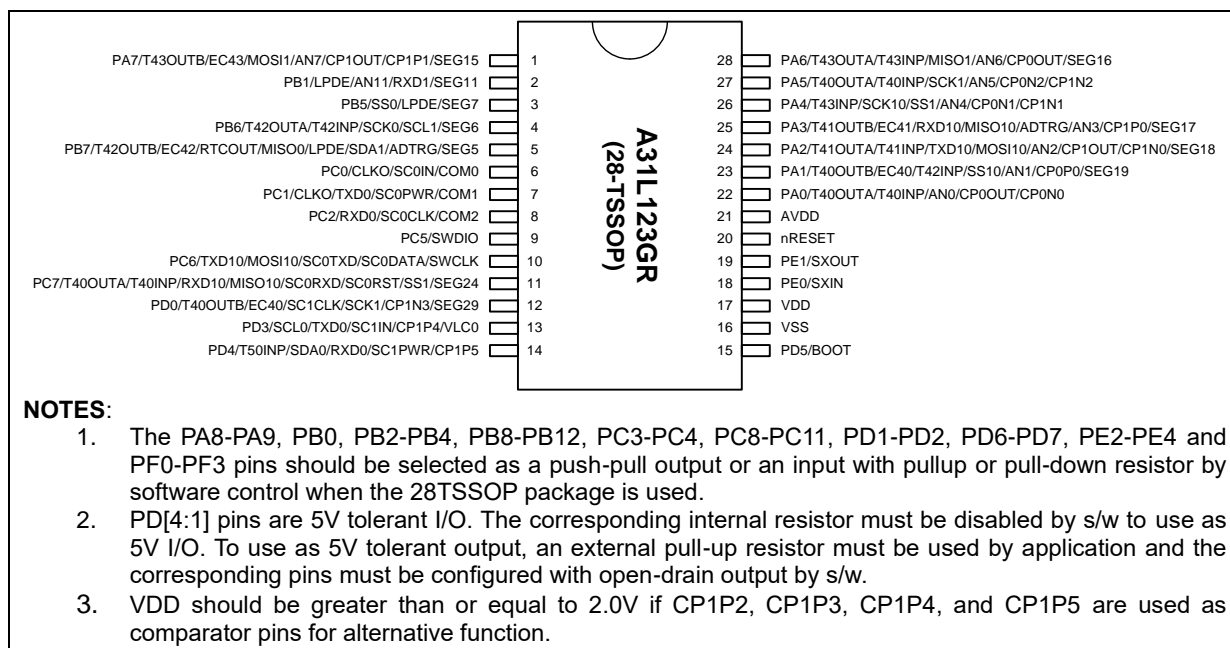


Figure 6. TSSOP-28 Pinouts

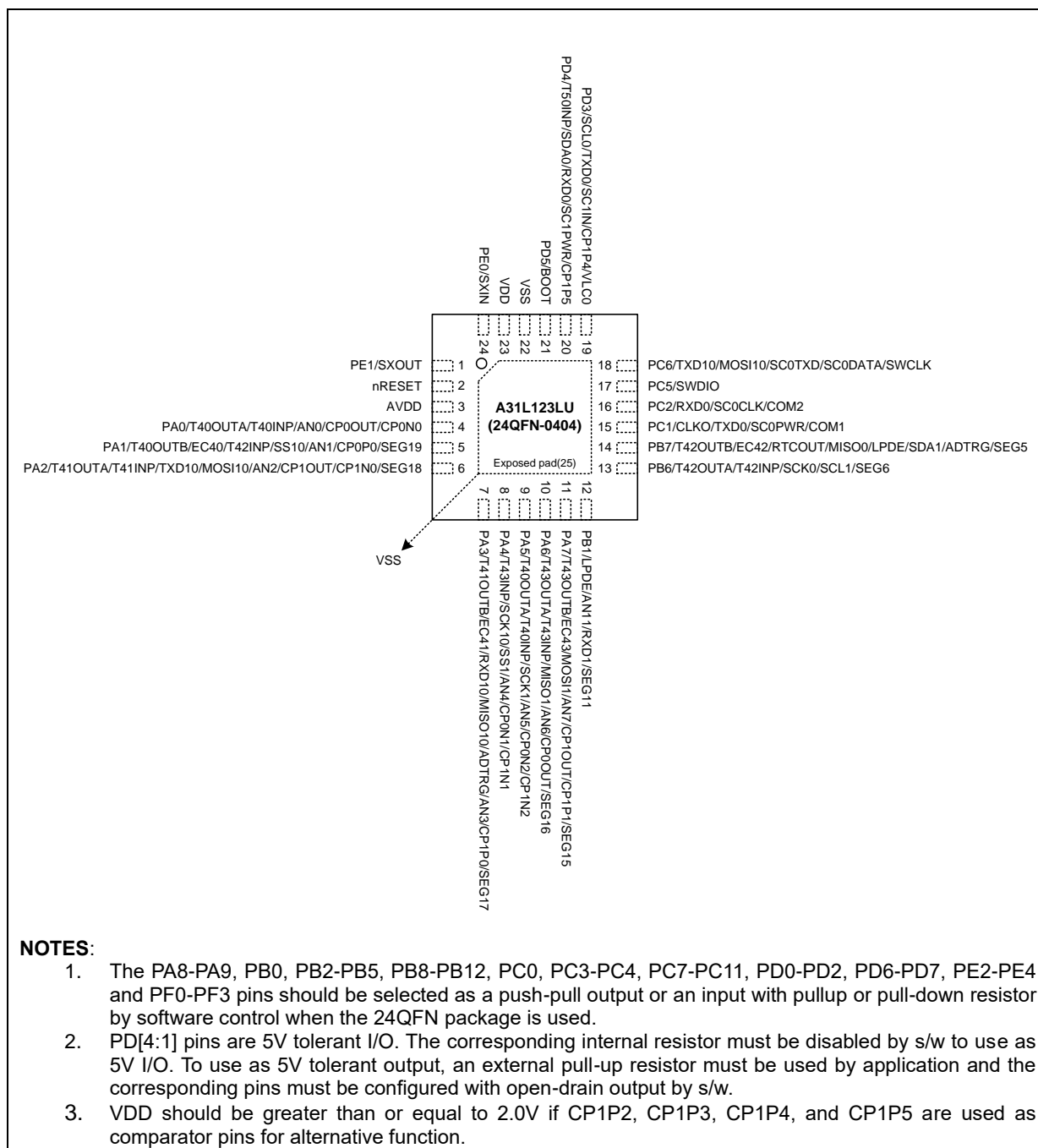


Figure 7. QFN-24 Pinouts

2.2 Pin description

Table 3 shows pin configuration containing several pairs of power/ground and other dedicated pins. Multi-function pins have up to eight selections of functions including GPIO.

Table 3. Pin Description

Pin number						Pin name	Type	Description	Remark
LQFP-64	LQFP-48	LQFP-32	QFN-32	TSSOP-28	QFN-24				
1	1	1	1	-	-	VDD	P	VDD	
2	2	-	-	-	-	PE4*	IOUDS	PORT E Bit 4 Input/Output	
						RTCOUNT	O	Real Time Clock Output	
3	3	2	2	18	24	PE0*	IOUDS	PORT E Bit 0 Input/Output	
						SXIN	IA	Sub Oscillator Input	
4	4	3	3	19	1	PE1*	IOUDS	PORT E Bit 1 Input/Output	
						SXOUT	OA	Sub Oscillator Output	
5	5	-	-	-	-	PE2*	IOUDS	PORT E Bit 2 Input/Output	
						XIN	IA	Main Oscillator Input	
6	6	-	-	-	-	PE3*	IOUDS	PORT E Bit 3 Input/Output	
						XOUT	OA	Main Oscillator Output	
7	7	4	4	20	2	nRESET	Input	External Reset Input	Always pull-up
8	-	-	-	-	-	PF0*	IOUDS	PORT F Bit 0 Input/Output	
						EC50	I	Timer 50 Event Count Input	
						AN12	IA	A/D Converter Analog Input 12	
						SEG23	OA	LCD Segment Signal Output	
9	-	-	-	-	-	PF1*	IOUDS	PORT F Bit 1 Input/Output	
						T50OUT	O	Timer 50 Pulse Output	
						AN13	IA	A/D Converter Analog Input 13	
						SEG22	OA	LCD Segment Signal Output	
10	-	-	-	-	-	PF2*	IOUDS	PORT F Bit 2 Input/Output	
						T50INP	I	Timer 50 Capture/Clear Input	
						MISO0	I/O	SPI Master Input, Slave Output	
						AN14	IA	A/D Converter Analog Input 14	
						SEG21	OA	LCD Segment Signal Output	
11	-	-	-	-	-	PF3*	IOUDS	PORT F Bit 3 Input/Output	
						MOSI0	I/O	SPI Master Output, Slave Input	
						AN15	IA	A/D Converter Analog Input 15	
						SEG20	OA	LCD Segment Signal Output	
12	8	-	-	-	-	AVSS	PA	Analog Ground	
13	9	5	5	21	3	AVDD	PA	Analog Power	

Table 3. Pin Description (continued)

Pin number						Pin name	Type	Description	Remark
LQFP-64	LQFP-48	LQFP-32	QFN-32	TSSOP-28	QFN-24				
14	10	6	6	22	4	PA0*	IOUDS	PORT A Bit 0 Input/Output	
						T40OUTA	O	Timer 40 Pulse Output	
						T40INP	I	Timer 40 Capture/Force Input	
						AN0	IA	A/D Converter Analog Input 0	
						CP0OUT	OA	Comparator 0 Output	
						CP0N0	IA	Comparator 0 Negative Input	
15	11	7	7	23	5	PA1*	IOUDS	PORT A Bit 1 Input/Output	
						T40OUTB	O	Timer 40 Pulse Output	
						EC40	I	Timer 40 Event Count Input	
						T42INP	I	Timer 42 Capture/Force Input	
						SS10	I	SPI Slave Select Input	
						AN1	IA	A/D Converter Analog Input 1	
						CP0P0	IA	Comparator 0 Positive Input	
						SEG19	OA	LCD Segment Signal Output	
16	12	8	8	24	6	PA2*	IOUDS	PORT A Bit 2 Input/Output	
						T41OUTA	O	Timer 41 Pulse Output	
						T41INP	I	Timer 41 Capture/Force Input	
						TXD10	O	UART Data Output	
						MOSI10	I/O	SPI Master Output, Slave Input	
						AN2	IA	A/D Converter Analog Input 2	
						CP1OUT	OA	Comparator 1 Output	
						CP1N0	IA	Comparator 1 Negative Input	
						SEG18	OA	LCD Segment Signal Output	
						17	13	9	9
T41OUTB	O	Timer 41 Pulse Output							
EC41	I	Timer 41 Event Count Input							
RXD10	I	UART Data Input							
MISO10	I/O	SPI Master Input, Slave Output							
ADTRG	I	A/D Converter Trigger Input							
AN3	IA	A/D Converter Analog Input 3							
CP1P0	IA	Comparator 1 Positive Input							
SEG17	OA	LCD Segment Signal Output							
18	-	-	-	-	-	VSS	P	Ground	
19	-	-	-	-	-	VDD	P	Power	
20	14	10	10	26	8	PA4*	IOUDS	PORT A Bit 4 Input/Output	
						T43INP	I	Timer 43 Capture/Force Input	
						SCK10	I/O	SPI Clock Input/Output	
						SS1	I	SPI Slave Select Input	
						AN4	IA	A/D Converter Analog Input 4	
						CP0N1	IA	Comparator 0 Negative Input	
						CP1N1	IA	Comparator 1 Negative Input	

Table 3. Pin Description (continued)

Pin number						Pin name	Type	Description	Remark
LQFP-64	LQFP-48	LQFP-32	QFN-32	TSSOP-28	QFN-24				
21	15	11	11	27	9	PA5*	IOUDS	PORT A Bit 5 Input/Output	
						T40OUTA	O	Timer 40 Pulse Output	
						T40INP	I	Timer 40 Capture/Force Input	
						SCK1	I/O	SPI Clock Input/Output	
						AN5	IA	A/D Converter Analog Input 5	
						CP0N2	IA	Comparator 0 Negative Input	
						CP1N2	IA	Comparator 1 Negative Input	
22	16	12	12	28	10	PA6*	IOUDS	PORT A Bit 6 Input/Output	
						T43OUTA	O	Timer 43 Pulse Output	
						T43INP	I	Timer 43 Capture/Force Input	
						MISO1	I/O	SPI Master Input, Slave Output	
						AN6	IA	A/D Converter Analog Input 6	
						CP0OUT	OA	Comparator 0 Output	
						SEG16	OA	LCD Segment Signal Output	
23	17	13	13	1	11	PA7*	IOUDS	PORT A Bit 7 Input/Output	
						T43OUTB	O	Timer 43 Pulse Output	
						EC43	I	Timer 43 Event Count Input	
						MOS11	I/O	SPI Master Output, Slave Input	
						AN7	IA	A/D Converter Analog Input 7	
						CP1OUT	OA	Comparator 1 Output	
						CP1P1	IA	Comparator 1 Positive Input	
						SEG15	OA	LCD Segment Signal Output	
24	-	-	-	-	-	PA8*	IOUDS	PORT A Bit 8 Input/Output	
						LPTXD	O	LPUART Data Output	
						AN8	IA	A/D Converter Analog Input 8	
						SEG14	OA	LCD Segment Signal Output	
25	-	-	-	-	-	PA9*	IOUDS	PORT A Bit 9 Input/Output	
						LPRXD	I	LPUART Data Input	
						AN9	IA	A/D Converter Analog Input 9	
26	18	14	14	-	-	PB0*	IOUDS	PORT B Bit 0 Input/Output	
						AN10	IA	A/D Converter Analog Input 10	
						TXD1	O	UART Data Output	
						SEG12	OA	LCD Segment Signal Output	
27	19	15	15	2	12	PB1*	IOUDS	PORT B Bit 1 Input/Output	
						LPDE	O	LPUART DE Signal Output	
						AN11	IA	A/D Converter Analog Input 11	
						RXD1	I	UART Data Input	
						SEG11	OA	LCD Segment Signal Output	
28	20	-	16	-	-	PB2*	IOUDS	PORT B Bit 2 Input/Output	
						T50OUT	O	Timer 50 Pulse Output	
						SEG10	OA	LCD Segment Signal Output	

Table 3. Pin Description (continued)

Pin number						Pin name	Type	Description	Remark
LQFP-64	LQFP-48	LQFP-32	QFN-32	TSSOP-28	QFN-24				
29	21	-	-	-	-	PB3*	IOUDS	PORT B Bit 3 Input/Output	
						T41OUTA	O	Timer 41 Pulse Output	
						T41INP	I	Timer 41 Capture/Force Input	
						SCK0	I/O	SPI Clock Input/Output	
						LPTXD	O	LPUART Data Output	
						SCL1	I/O	I2C Clock Input/Output	
						ADTRG	I	A/D Converter Trigger Input	
SEG9	OA	LCD Segment Signal Output							
30	22	-	-	-	-	PB4*	IOUDS	PORT B Bit 4 Input/Output	
						T41OUTB	O	Timer 41 Pulse Output	
						EC41	I	Timer 41 Event Count Input	
						LPRXD	I	LPUART Data Input	
						SDA1	I/O	I2C Data Input/Output	
						ADTRG	I	A/D Converter Trigger Input	
						SEG8	OA	LCD Segment Signal Output	
31	23	16	-	16	22	VSS	P	Ground	
32	24	17	17	17	23	VDD	P	Power	
33	25	-	-	3	-	PB5*	IOUDS	PORT B Bit 5 Input/Output	
						SS0	I	SPI Slave Select Input	
						LPDE	O	LPUART DE Signal Output	
						SEG7	OA	LCD Segment Signal Output	
34	26	-	-	4	13	PB6*	IOUDS	PORT B Bit 6 Input/Output	
						T42OUTA	O	Timer 42 Pulse Output	
						T42INP	I	Timer 42 Capture/Force Input	
						SCK0	I/O	SPI Clock Input/Output	
						SCL1	I/O	I2C Clock Input/Output	
						SEG6	OA	LCD Segment Signal Output	
35	27	-	-	5	14	PB7*	IOUDS	PORT B Bit 7 Input/Output	
						T42OUTB	O	Timer 42 Pulse Output	
						EC42	I	Timer 42 Event Count Input	
						RTCOUT	O	Real Time Clock Output	
						MISO0	I/O	SPI Master Input, Slave Output	
						LPDE	O	LPUART DE Signal Output	
						SDA1	I/O	I2C Data Input/Output	
						ADTRG	I	A/D Converter Trigger Input	
						SEG5	OA	LCD Segment Signal Output	
36	28	-	-	-	-	PB8*	IOUDS	PORT B Bit 8 Input/Output	
						MOSI0	I/O	SPI Master Output, Slave Input	
						SEG4	OA	LCD Segment Signal Output	
37	-	-	-	-	-	PB9*	IOUDS	PORT B Bit 9 Input/Output	
						T43OUTA	O	Timer 43 Pulse Output	
						T43INP	I	Timer 43 Capture/Force Input	
						SEG3	OA	LCD Segment Signal Output	

Table 3. Pin Description (continued)

Pin number						Pin name	Type	Description	Remark
LQFP-64	LQFP-48	LQFP-32	QFN-32	TSSOP-28	QFN-24				
38	-	-	-	-	-	PB10*	IOUDS	PORT B Bit 10 Input/Output	
						T43OUTB	O	Timer 43 Pulse Output	
						EC43	I	Timer 43 Event Count Input	
						SEG2	OA	LCD Segment Signal Output	
39	-	-	-	-	-	PB11*	IOUDS	PORT B Bit 11 Input/Output	
						T43INP	I	Timer 43 Capture/Force Input	
						SEG1	OA	LCD Segment Signal Output	
40	-	-	-	-	-	PB12*	IOUDS	PORT B Bit 12 Input/Output	
						T42INP	I	Timer 42 Capture/Force Input	
						SEG0	OA	LCD Segment Signal Output	
41	29	18	18	6	-	PC0*	IOUDS	PORT C Bit 0 Input/Output	
						CLKO	O	System Clock Output	
						SC0IN	I	Smartcard Detection Input	
						COM0	OA	LCD Common Signal Output	
42	30	19	19	7	15	PC1*	IOUDS	PORT C Bit 1 Input/Output	
						CLKO	O	System Clock Output	
						TXD0	O	UART Data Output	
						SC0PWR	O	Smartcard Power Control Output	
						COM1	OA	LCD Common Signal Output	
43	31	20	20	8	16	PC2*	IOUDS	PORT C Bit 2 Input/Output	
						RXD0	I	UART Data Input	
						SC0CLK	O	Smartcard Clock Output	
						COM2	OA	LCD Common Signal Output	
44	32	21	21	-	-	PC3*	IOUDS	PORT C Bit 3 Input/Output	
						MISO1	I/O	SPI Master Input, Slave Output	
						SC0RXD	I	SC0's UART Data Input	
						SC0RST	O	Smartcard Reset Output	
						CP0OUT	OA	Comparator 0 Output	
45	33	22	22	-	-	PC4*	IOUDS	PORT C Bit 4 Input/Output	
						MOSI1	I/O	SPI Master Output, Slave Input	
						SC0TXD	O	SC0's UART Data Output	
						SC0DATA	I/O	Smartcard Data Input/Output	
						CP1OUT	OA	Comparator 1 Output	
46	34	23	23	9	17	PC5	IOUDS	PORT C Bit 5 Input/Output	
						SWDIO*	I/O	SWD Data Input/Output	Pull-up
47	35	-	-	-	-	VSS	P	Ground	
48	36	-	-	-	-	VDD	P	VDD	
49	37	24	24	10	18	PC6	IOUDS	PORT C Bit 6 Input/Output	
						TXD10	O	UART Data Output	
						MOSI10	I/O	SPI Master Output, Slave Input	
						SC0TXD	O	SC0's UART Data Output	
						SC0DATA	I/O	Smartcard Data Input/Output	
						SWCLK*	I	SWD Clock Input	Pull-down

Table 3. Pin Description (continued)

Pin number						Pin name	Type	Description	Remark
LQFP-64	LQFP-48	LQFP-32	QFN-32	TSSOP-28	QFN-24				
50	38	25	25	11	-	PC7*	IOUDS	PORT C Bit 7 Input/Output	
						T40OUTA	O	Timer 40 Pulse Output	
						T40INP	I	Timer 40 Capture/Force Input	
						RXD10	I	UART Data Input	
						MISO10	I/O	SPI Master Input, Slave Output	
						SC0RXD	I	SC0's UART Data Input	
						SC0RST	O	Smartcard Reset Output	
						SS1	I	SPI Slave Select Input	
51	-	-	-	-	-	PC8*	IOUDS	PORT C Bit 8 Input/Output	
						SCK10	I/O	SPI Clock Input/Output	
						SC0CLK	O	Smartcard Clock Output	
						LPTXD	O	LPUART Data Output	
						COM4	OA	LCD Common Signal Output	
						SEG25	OA	LCD Segment Signal Output	
52	-	-	-	-	-	PC9*	IOUDS	PORT C Bit 9 Input/Output	
						SS10	I	SPI Slave Select Input	
						SC0PWR	O	Smartcard Power Control Output	
						LPRXD	I	LPUART Data Input	
						COM5	OA	LCD Common Signal Output	
53	-	-	-	-	-	PC10*	IOUDS	PORT C Bit 10 Input/Output	
						TXD1	O	UART Data Output	
						SC0IN	I	Smartcard Detection Input	
						COM6	OA	LCD Common Signal Output	
						SEG27	OA	LCD Segment Signal Output	
54	-	-	-	-	-	PC11*	IOUDS	PORT C Bit 11 Input/Output	
						RXD1	I	UART Data Input	
						LPDE	O	LPUART DE Signal Output	
						COM7	OA	LCD Common Signal Output	
55	39	26	26	12	-	PD0*	IOUDS	PORT D Bit 0 Input/Output	
						T40OUTB	O	Timer 40 Pulse Output	
						EC40	I	Timer 40 Event Count Input	
						SC1CLK	O	Smartcard Clock Output	
						SCK1	I/O	SPI Clock Input/Output	
						CP1N3	IA	Comparator 1 Negative Input	
SEG29	OA	LCD Segment Signal Output							

Table 3. Pin Description (continued)

LQFP-64	LQFP-48	Pin number				Pin name	Type	Description	Remark
		LQFP-32	QFN-32	TSSOP-28	QFN-24				
56	40	27	27	-	-	PD1*	IOUDS	PORT D Bit 1 Input/Output	5V tolerant I/O (The internal pull-up resistor must be disabled to use 5V I/O) VDD ≥ 2.0V when CP1P2, CP1P3, CP1P4, and CP1P5
						T43OUTA	O	Timer 43 Pulse Output	
						T43INP	I	Timer 43 Capture/Force Input	
						SC1RXD	I	SC1's UART Data Input	
						SC1RST	O	Smartcard Reset Output	
						MISO1	I/O	SPI Master Input, Slave Output	
						CP1P2	IA	Comparator 1 Positive Input	
57	41	28	28	-	-	PD2*	IOUDS	PORT D Bit 2 Input/Output	
						EC50	I	Timer 50 Event Count Input	
						T43OUTB	O	Timer 43 Pulse Output	
						EC43	I	Timer 43 Event Count Input	
						SC1TXD	O	SC1's UART Data Output	
						SC1DATA	I/O	Smartcard Data Input/Output	
						MOSI1	I/O	SPI Master Output, Slave Input	
						CP1P3	IA	Comparator 1 Positive Input	
58	42	29	29	13	19	PD3*	IOUDS	PORT D Bit 3 Input/Output	
						SCL0	I/O	I2C Clock Input/Output	
						TXD0	O	UART Data Output	
						SC1IN	I	Smartcard Detection Input	
						CP1P4	IA	Comparator 1 Positive Input	
						VLC0	IA/OA	LCD Bias Voltage Input/Output	
59	43	30	30	14	20	PD4*	IOUDS	PORT D Bit 4 Input/Output	
						T50INP	I	Timer 50 Capture/Clear Input	
						SDA0	I/O	I2C Data Input/Output	
						RXD0	I	UART Data Input	
						SC1PWR	O	Smartcard Power Control Output	
						CP1P5	IA	Comparator 1 Positive Input	
60	44	31	31	15	21	PD5	IOUDS	PORT D Bit 5 Input/Output	Pull-up
						BOOT*	I	Boot Mode Selection Input	
61	45	-	32	-	-	PD6*	IOUDS	PORT D Bit 6 Input/Output	
						SCL0	I/O	I2C Clock Input/Output	
						SEG32	OA	LCD Segment Signal Output	
62	46	-	-	-	-	PD7*	IOUDS	PORT D Bit 7 Input/Output	
						SS0	I	SPI Slave Select Input	
						SDA0	I/O	I2C Data Input/Output	
						COM3	OA	LCD Common Signal Output	
63	47	32	33	-	-	VSS	P	Ground	
64	48	-	-	-	-	VDD	P	VDD	

NOTES:

- *Notation: I=Input, O=Output, U=Pull-up, D=Pull-down, S=Schmitt-Trigger Input Type, C=CMOS Input Type, A=Analog, P=Power
- (*) Selected pin function after reset condition
- Pin order may be changed with revision notice.

3 System and memory overview

Main system and memory of A31L12x series consist of the followings:

- ARM[®] Cortex[®] -M0+ core
- Five channels of DMA
- Internal SRAM
- Internal Flash memory
- AHB (Advanced High Performance Bus) and APB (Advanced Peripheral Bus)

3.1 Cortex[®]-M0+ core

The Cortex-M0+ processor is the most energy-efficient ARM processor available. It builds on the very successful Cortex-M0+ processor, retaining full instruction set and tool compatibility, while further reducing energy consumption and increasing performance. Technical reference manual “DDI 0484C” from ARM provides detail information of Cortex-M0+.

3.2 Interrupt controller

The Cortex-M0+ process has embedded an interrupt controller named NVIC (Nested Vector Interrupt Controller). A31L12x has additional interrupt control block for controlling 32 interrupt sources generated by internal peripherals.

To use interrupts from internal peripherals, both the NVIC and the interrupt control block must be configured properly. This document describes only the peripheral interrupt controller. For more information about NVIC inside the Cortex-M0+ processor, please refer to the technical reference manual “ARM DDI 0484C” in ARM technical document site.

Table 4. Interrupt Vector Map

Priority	Vector Address	Interrupt Source
-16	0x0000_0000	Stack Pointer
-15	0x0000_0004	Reset Address
-14	0x0000_0008	NMI Exception
-13	0x0000_000C	Hard Fault Exception

Table 4. Interrupt Vector Map (continued)

Priority	Vector Address	Interrupt Source
-12	0x0000_0010	Reserved
-11	0x0000_0014	
-10	0x0000_0018	
-9	0x0000_001C	
-8	0x0000_0020	
-7	0x0000_0024	
-6	0x0000_0028	
-5	0x0000_002C	SVCall Exception
-4	0x0000_0030	Reserved
-3	0x0000_0034	
-2	0x0000_0038	PenSV Exception
-1	0x0000_003C	SysTick Exception
0	0x0000_0040	LVI Interrupt
1	0x0000_0044	WUT Interrupt
2	0x0000_0048	WDT Interrupt
3	0x0000_004C	EINT0 Interrupt
4	0x0000_0050	EINT1 Interrupt
5	0x0000_0054	EINT2 Interrupt
6	0x0000_0058	EINT3 Interrupt
7	0x0000_005C	TIMER40 Interrupt
8	0x0000_0060	TIMER41 Interrupt
9	0x0000_0064	TIMER42 Interrupt
10	0x0000_0068	I2C0 Interrupt
11	0x0000_006C	USART10 Interrupt
12	0x0000_0070	SPI0 Interrupt
13	0x0000_0074	SPI1 Interrupt
14	0x0000_0078	I2C1 Interrupt

Table 4. Interrupt Vector Map (continued)

Priority	Vector Address	Interrupt Source
15	0x0000_007C	TIMER50 Interrupt
16	0x0000_0080	SC0 Interrupt
17	0x0000_0084	SC1 Interrupt
18	0x0000_0088	ADC Interrupt
19	0x0000_008C	UART0 Interrupt
20	0x0000_0090	UART1 Interrupt
21	0x0000_0094	TIMER43 Interrupt
22	0x0000_0098	CMP 0/1 Interrupt
23	0x0000_009C	DMACH0 Interrupt
24	0x0000_00A0	DMACH1 Interrupt
25	0x0000_00A4	LPUART Interrupt
26	0x0000_00A8	Reserved
27	0x0000_00AC	
28	0x0000_00B0	RTCC Interrupt
29	0x0000_00B4	DMACH2 Interrupt
30	0x0000_00B8	DMACH3 Interrupt
31	0x0000_00BC	DMACH4 Interrupt

3.3 Boot mode

Boot mode pins

A31L12x series has a Boot mode to program the internal flash memory. The Boot mode will be activated by setting a BOOT pin to “Low” level at reset timing (Normal operation mode is “High” level).

The Boot mode supports either UART boot or SPI boot. For the UART boot, TXD10/RXD10 ports are used. For the SPI boot, MOSI10/MISO10/SCK10/SS10 ports are used.

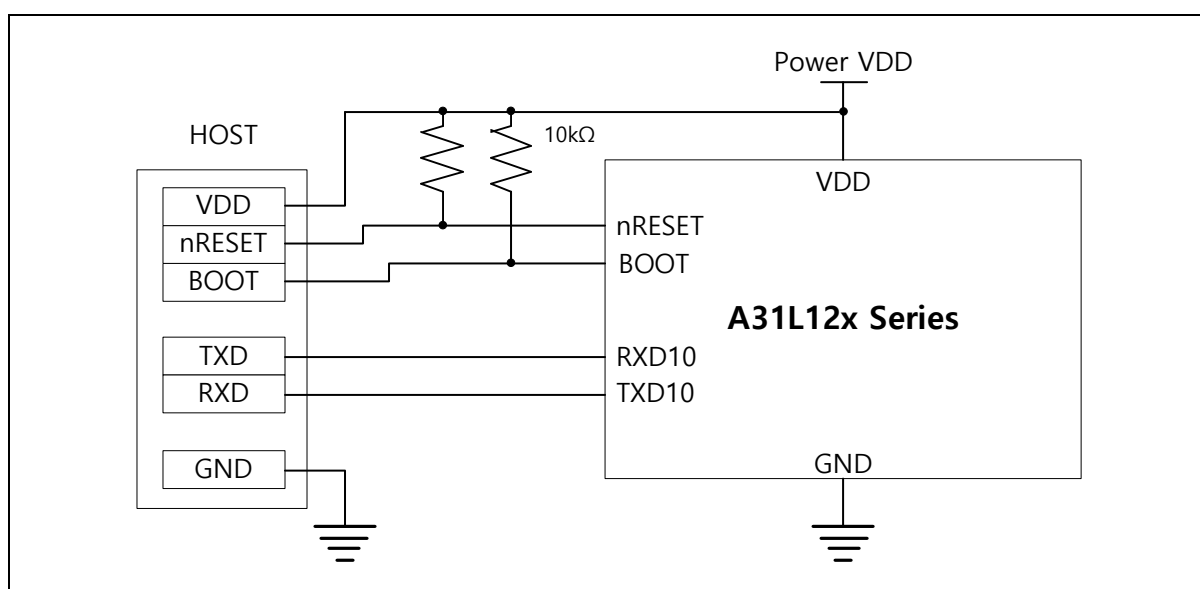
Table 5 introduces pins used in the Boot mode.

Table 5. Boot Mode Pin List

Block	Pin Name	Direction	Description
SYSTEM	nRESET	I	Reset Input signal
	BOOT/PD5	I	'0' to enter Boot mode
UART mode of USART10	RXD10/PA3	I	UART Boot Receive Data
	TXD10/PA2	O	UART Boot Transmit Data
SPI mode of USART10	SS10/PA1	I	SPI Boot Slave Input
	SCK10/PA4	I	SPI Boot Clock Input
	MISO10/PA3	I	SPI Boot Data Input with function exchange
	MOSI10/PA2	O	SPI Boot Data Output with function exchange

Boot mode connection

A user can design target boards using any of Boot mode ports – UART or SPI mode of USART10. Examples of connection diagrams in the Boot mode are introduced in figures 6 and 7.

**Figure 8. Connection Diagram of UART Boot**

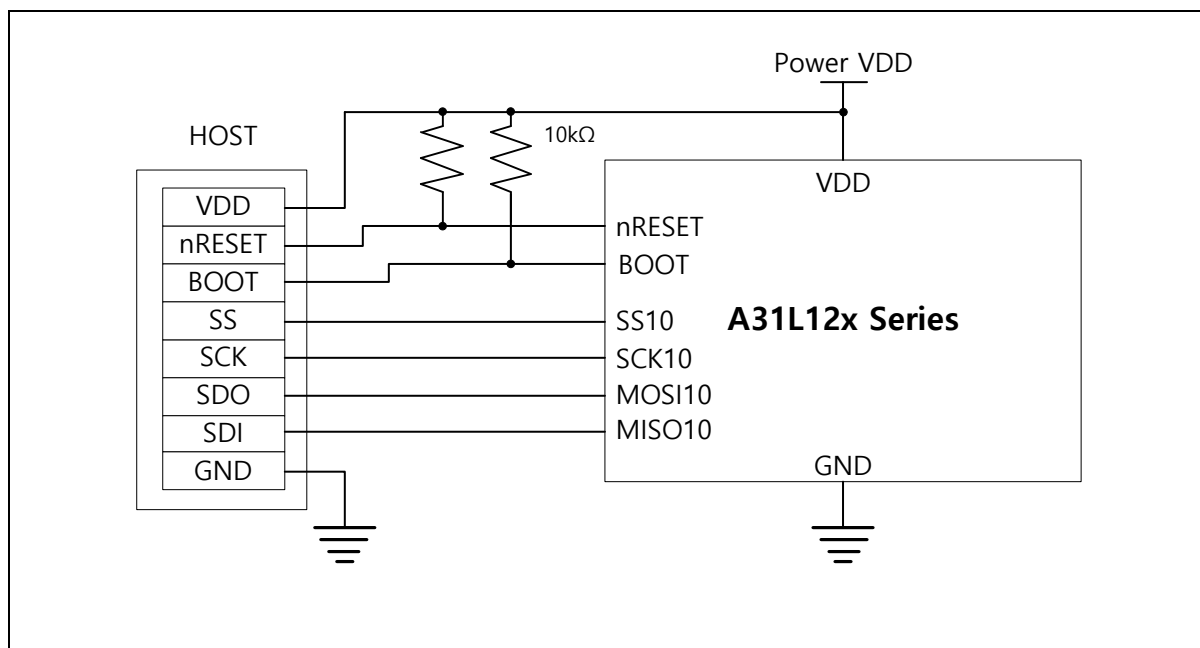


Figure 9. Connection Diagram of SPI Boot

3.4 SWD debug mode and E-PGM+ connection

Connections for SWD debugger interface or E-PGM+ is described in figure 8.

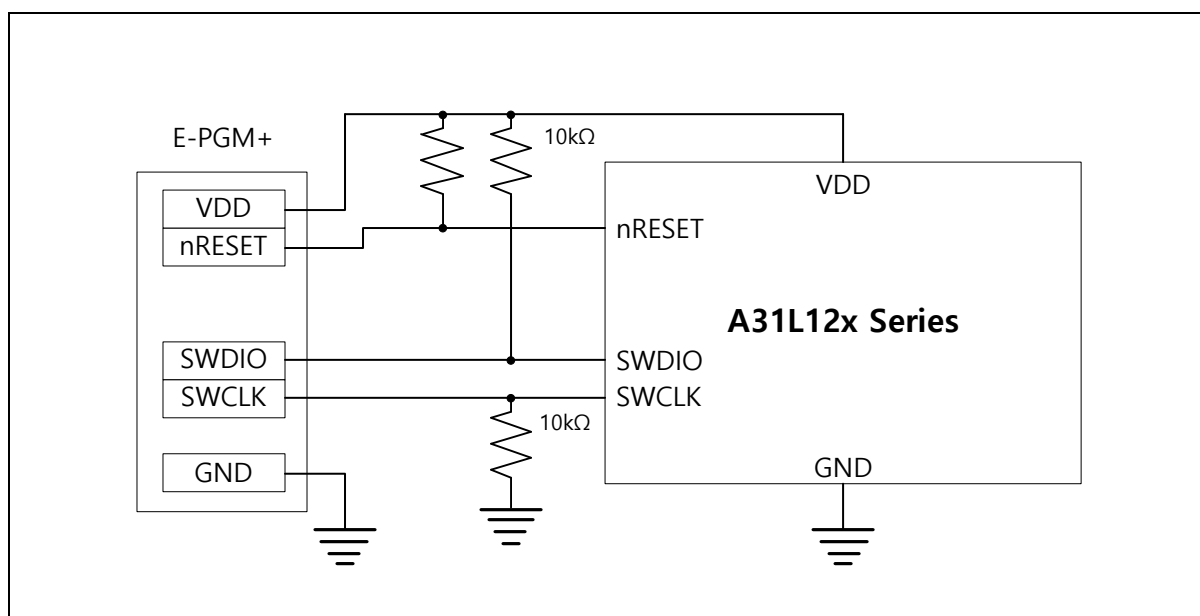


Figure 10. Connection between A31L12x Series and E-PGM+ using SWD Debugger Interface

3.5 Memory organization

3.5.1 Memory map

Figure 9 shows addressable memory space in memory map.

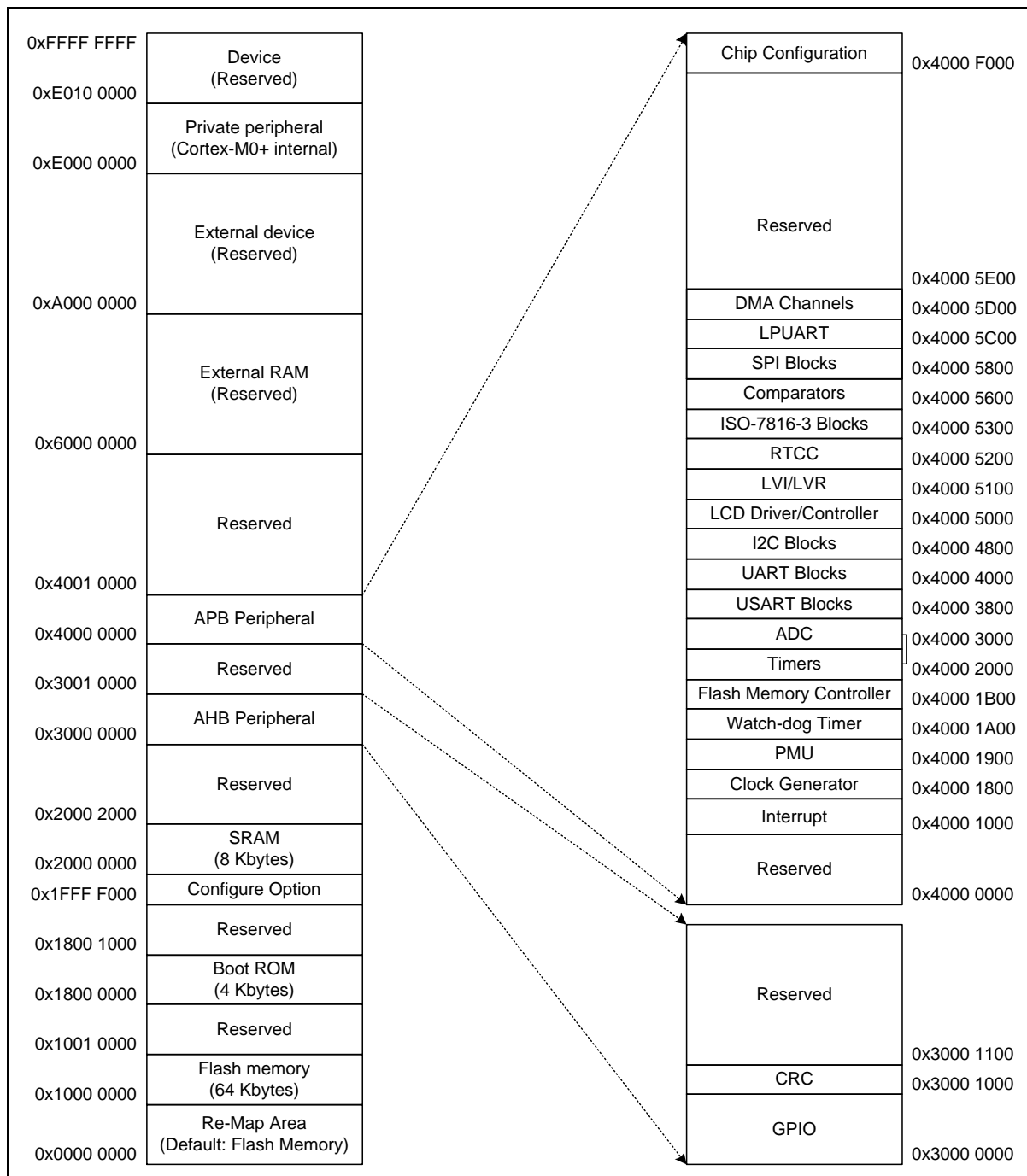


Figure 11. Main Memory Map

3.5.2 Internal SRAM

A31L12x series has a block of 0-wait on-chip SRAM. Its size is 8KB, and its base address is 0x2000_0000. The SRAM's memory area is mainly for data memory and stack memory. It is possible to locate code area in the SRAM memory for fast operation or for flash erase or program operation for self-program.

This device does not support memory remapping. So jump and return is required to process the code in SRAM memory area.

3.5.3 Flash memory

A31L12x series has an internal flash memory as shown in the followings:

- 64 or 32KB Flash code memory
- 32-bit read data bus width
- 128-byte page size
- Page erase and bulk erase available
- 128-byte unit program

Table 6. Internal Flash Memory Specification

Item	Description
Size	64KB
Start address	0x1000_0000
End address	0x1000_FFFF
Page size	128-byte
Total page count	512 pages
PGM unit	128-byte
Erase unit	128-byte or bulk

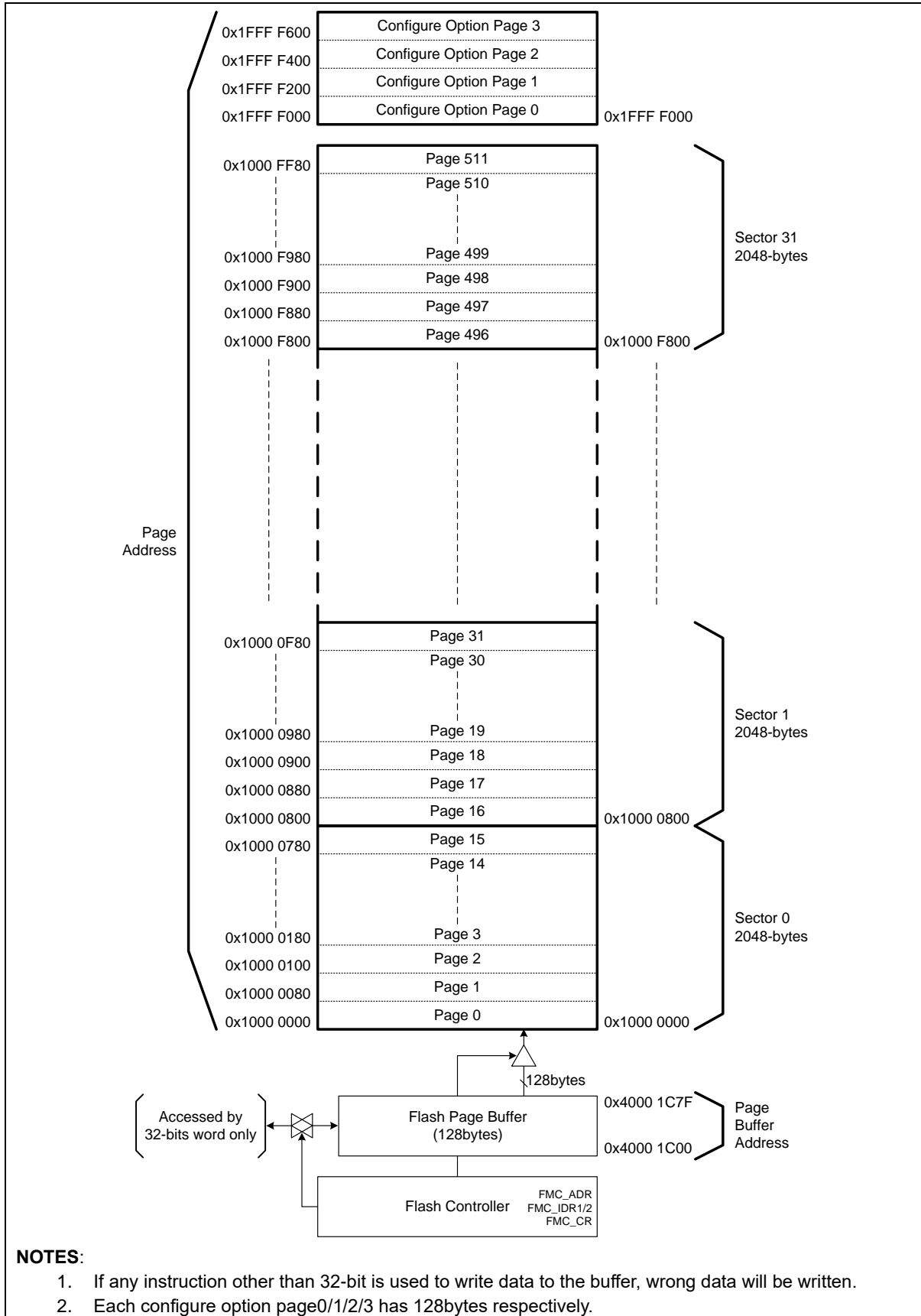


Figure 12. Internal Flash Memory Block Diagram

3.5.4 Configure option area

Configuration option area of A31L12x series is used for system related trimming values, user option, and user data. The configure option area consists of four pages in the flash memory, which can be erased and written by the flash memory controller. This area can be read by any instruction.

The four pages of the configuration option area are listed in the followings:

- Page 0: System related trimming values and 128-bit unique device ID registers
- Page 1: User option for read protection, watchdog timer, and LVR voltage level configurations
- Page 2: User data 0 area
- Page 3: User data 1 area

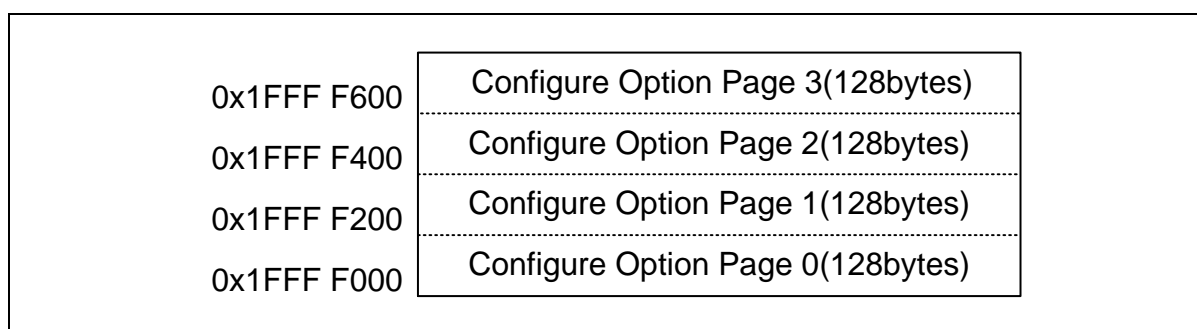


Figure 13. Configure Option Area Structure

Configuration option page

Base address of the configuration option area ranges from 0x1FFF_F000 to 0x1FFF_F600. The area map is shown in Table 7.

Table 7. Configuration Option Area Map

Page	NAME	ADDRESS	DESCRIPTION
0	-	0x1FFF_F000 to 0x1FFF_F04F 0x1FFF_F060 to 0x1FFF_F07F	System Trimming Values
	CONF_MF1CNFIG	0x1FFF_F050	Manufacture Information 1 for 128-bit unique ID
	CONF_MF2CNFIG	0x1FFF_F054	Manufacture Information 2 for 128-bit unique ID
	CONF_MF3CNFIG	0x1FFF_F058	Manufacture Information 3 for 128-bit unique ID
	CONF_MF4CNFIG	0x1FFF_F05C	Manufacture Information 4 for 128-bit unique ID
1	CONF_RPCNFIG	0x1FFF_F200	Configuration for Read Protection
	CONF_WDTCNFIG	0x1FFF_F20C	Configuration for Watch-Dog Timer
	CONF_LVRCNFIG	0x1FFF_F210	Configuration for Low Voltage Reset
	CONF_CNFIGWTP1	0x1FFF_F214	Erase/Write Protection for Configure Option Page 1/2/3
	CONF_FMWTP1	0x1FFF_F240	Erase/Write Protection for Flash Memory
2	-	0x1FFF_F400 to 0x1FFF_F47F	User Data Area 0
3	-	0x1FFF_F600 to 0x1FFF_F67F	User Data Area 1

4 SCU (System Control Unit)

A31L12x series has a built-in intelligent power control block, which manages analog blocks and operating modes. Internal reset and clock signals are controlled by SCU block to maintain optimized system performance and power dissipation.

4.1 SCU block diagram

Figure 14 shows the SCU block diagram.

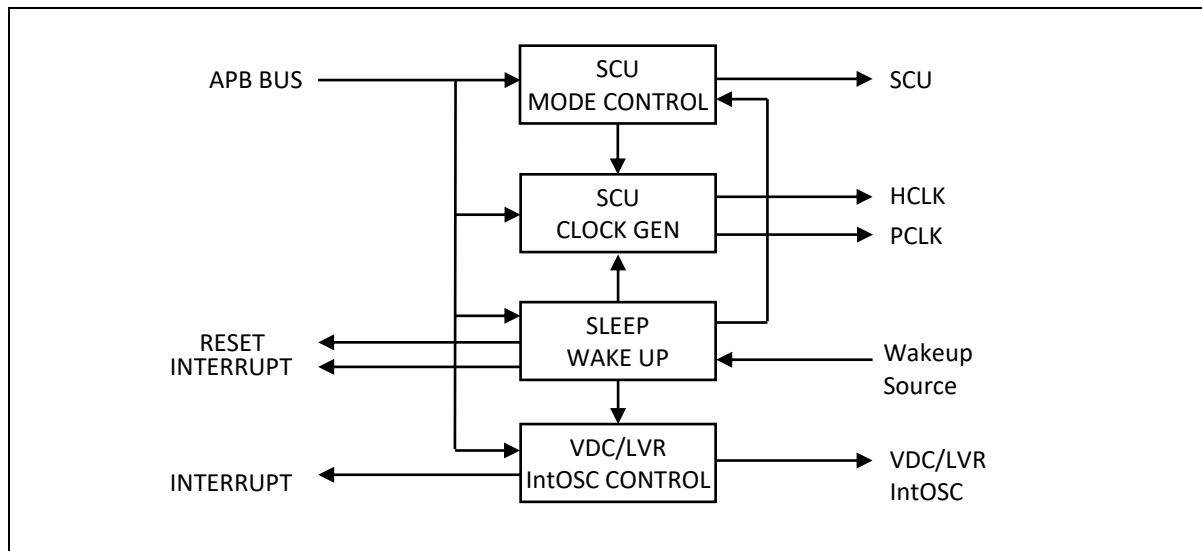


Figure 14. SCU Block Diagram

4.2 Clock system

A31L12x series has two main operating clocks. One is HCLK, which supplies the clock to the CPU and AHB bus system. The other one is PCLK, which supplies the clock to the peripheral systems.

Users can control the clock system variation by software. Figure 15 shows the clock system of A31L12x series and Table 8 shows the descriptions for clock sources.

Table 8. Clock Sources

Clock name	Mnemonic	Frequency	Description
Main OSC	XMOSC	<ul style="list-style-type: none"> X-TAL (2MHz to 16MHz) External Clock (2MHz to 32MHz) 	<ul style="list-style-type: none"> External Main Crystal OSC External Main Clock
Sub OSC	XSOSC	X-TAL (32.768kHz)	External Sub Crystal OSC
Internal RC OSC	HIRC	2MHz to 32MHz	High Frequency Internal RC OSC
WDT RC OSC	WDTRC	40kHz	Watchdog Timer RC OSC

4.2.1 HCLK clock domain

HCLK clock feeds the clock to the CPU and AHB bus. Cortex-M0+ CPU requires 2 clocks, FCLK and HCLK. FCLK is a free running clock and is always running except during power down mode. HCLK can be stopped during sleep mode.

The HCLK clock operates the BUS system and memory systems. Max BUS operating clock speed is 32MHz. HCLK frequency should be limited to a frequency of 32MHz or lower.

4.2.2 Miscellaneous clock domain

Various clock sources are required for each functional block. The SCU provides clock source selectivity with dedicated pre-scaler for each functional block. The clock selection mux does not support glitch-free function, so the clock is unpredictable during clock selection. Figure 14 shows the configurations for miscellaneous clocks.

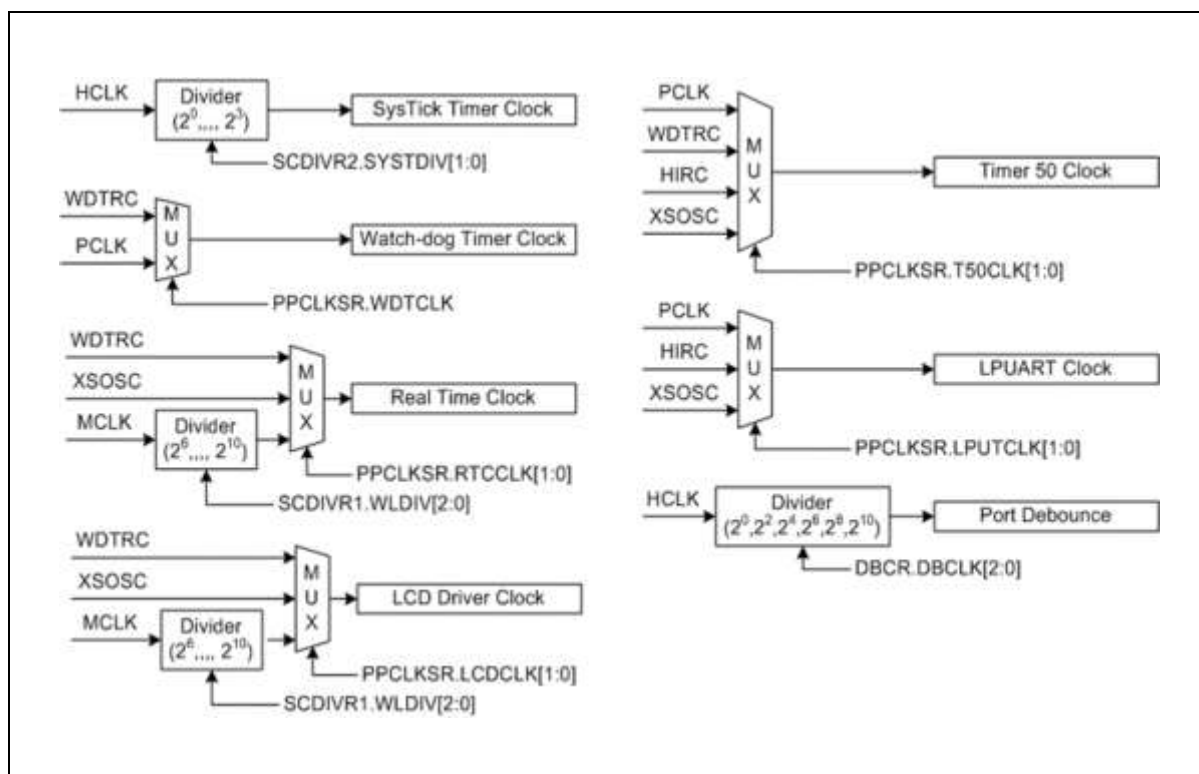


Figure 16. Miscellaneous Clock Configuration

4.2.3 PCLK clock domain

PCLK is the master clock for all the peripherals except for the CRC generator and ports. It can shut down during power down mode. Each peripheral clock is generated by SCU_PPCLKEN1 and SCU_PPCLKEN2 register set. Figure 13 illustrates the PCLK clock distributions. The peripherals are

not accessible even by reading its registers until each PCLK clock of each block is enabled.

4.2.4 Clock configuration procedure

After power on the device, a default system clock is generated by HIRC (2MHz) clock. The HIRC is enabled by default during power up sequence. Other clock sources are enabled by user controls and configuration options with a system clock.

XMOSC and XSOSC clocks are enabled by XMOSCEN and XSOSCEN bits of SCU_CLKSRCR register respectively. Before enabling XMOSC and XSOSC blocks, the pin mux configuration should be set for XIN/XOUT and SXIN/SXOUT functions. PE2/PE3 and PE0/PE1 pins are shared by XMOSC's XIN/XOUT function and XSOSC's SXIN/SXOUT function – PE_MOD and PE_AFSR1 registers should be configured properly.

After enabling the XMOSC and XSOSC blocks, a user can check stability of crystal oscillation through a clock monitoring control register, SCU_CMONCR. It takes more than 1ms to ensure stable crystal oscillation before changing the system clock.

Figure 17 shows an example flow chart to configure the system clock to XMOSC and XSOSC clock.

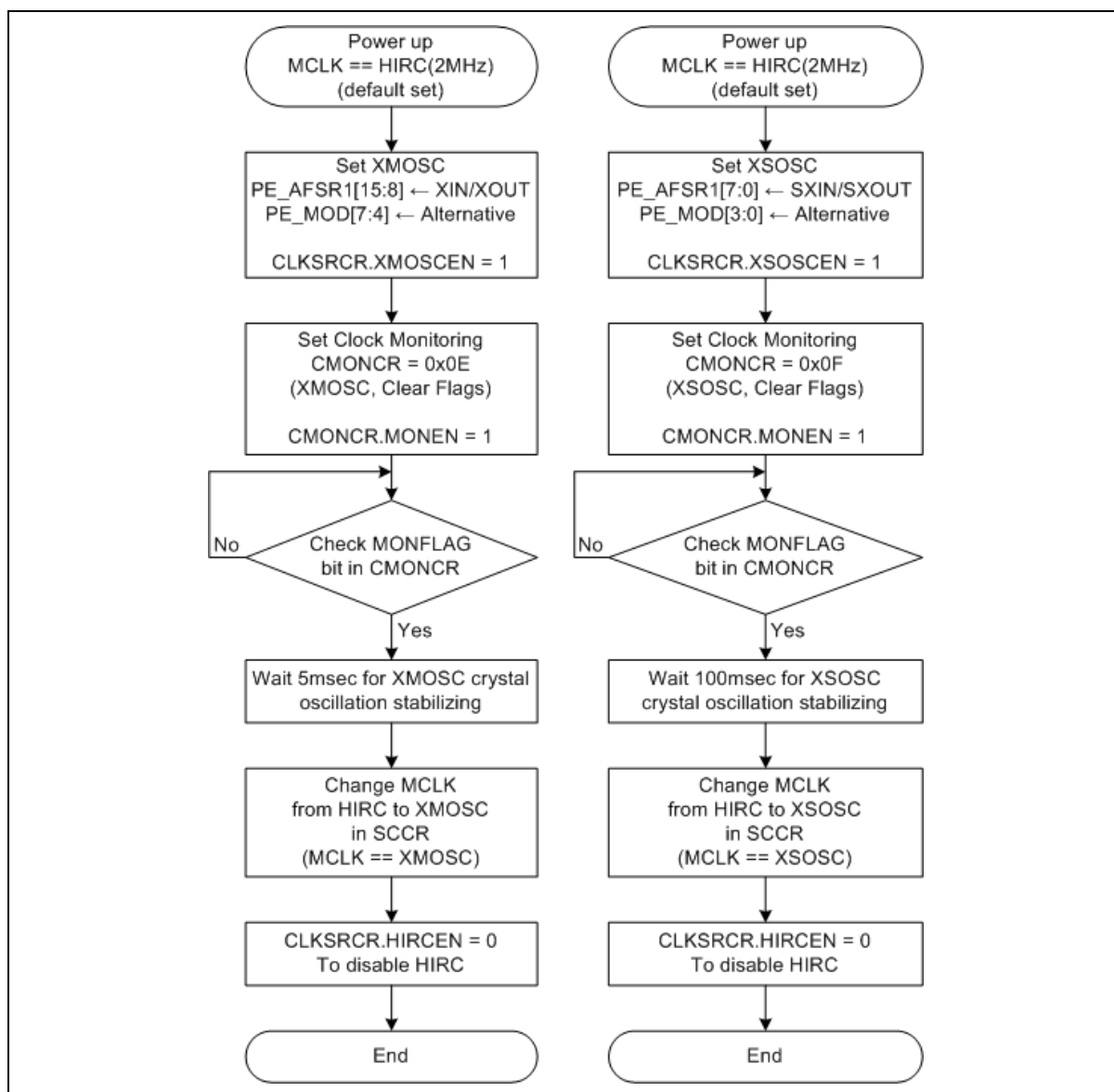


Figure 17. Clock Configuration Procedure

4.3 Reset

A31L12x series has two system resets. One is the cold reset by POR, which is effective during power up or down sequence. The other is the warm reset, generated by several reset sources. The reset event makes the device to turn back to its initial state.

The cold reset has only one reset source, which is POR, while the warm reset has several reset sources as shown below:

- nRESET pin
- WDT reset
- LVR reset
- MON reset
- S/W reset
- CPU request reset

4.3.1 Cold reset

The cold reset is one of important feature of the A31L12x series when it powers up. This characteristic will globally affect the system boot.

Internal VDC is enabled when VDD power is turned on. Internal VDD level slope follows the External VDD power slope. Internal POR trigger level is at 1.1V of the internal VDC voltage. At this time, boot operation begins.

Internal RC clock turns on and counts 4ms for internal VDC level to stabilize. At this time, external VDD voltage level should be bigger than initial LVR level (1.50V). After 4ms of counting, the CPU reset is released and operation begins.

Figure 18 shows waveform of power up sequence and internal reset.

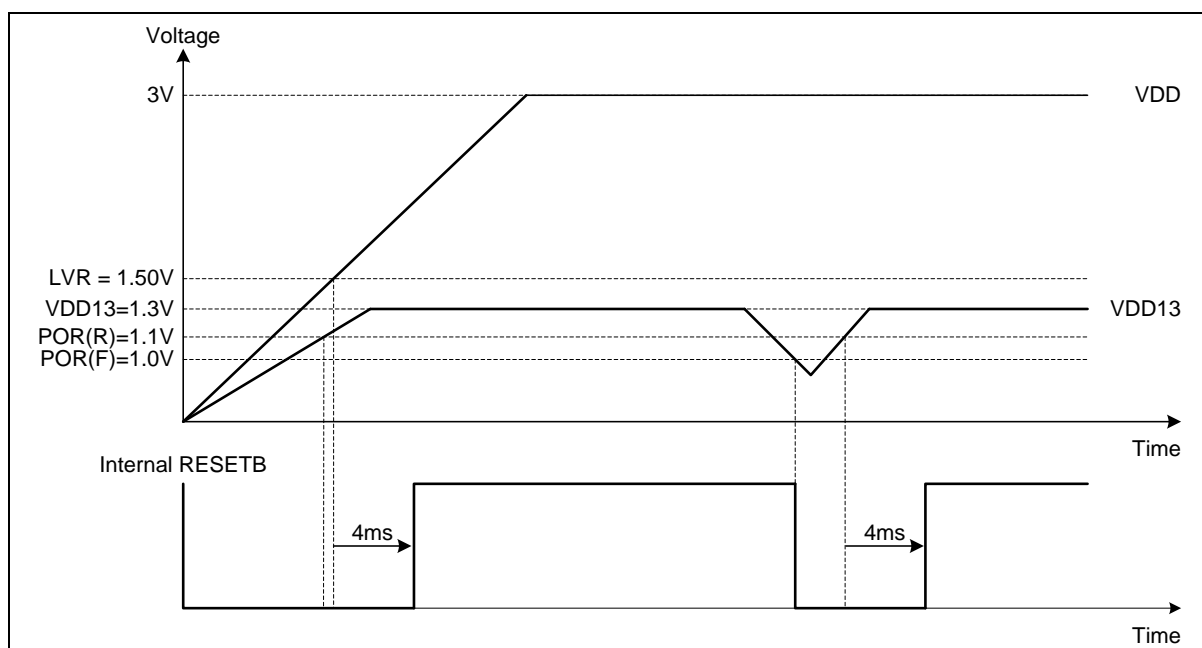


Figure 18. Power-up POR Sequence

A register SCU_RSTSSR shows the POR reset status. The last reset comes from the POR. SCU_RSTSSR.PORSTA is set to '1'. After power on, this bit is always '1' if the bit is not cleared by S/W. If abnormal internal voltage drop is detected during normal operation, the system will be reset and this bit also will be set to '1'.

When the cold reset is applied, the entire device returns to its initial state.

4.3.2 Warm reset

The warm reset event has several reset sources and some parts of the device return to their initial states when the warm reset takes place.

The warm reset status appears in a register SCU_RSTSSR. A reset for each peripheral block is controlled by a register SCU_PPRST. The reset can be masked independently.

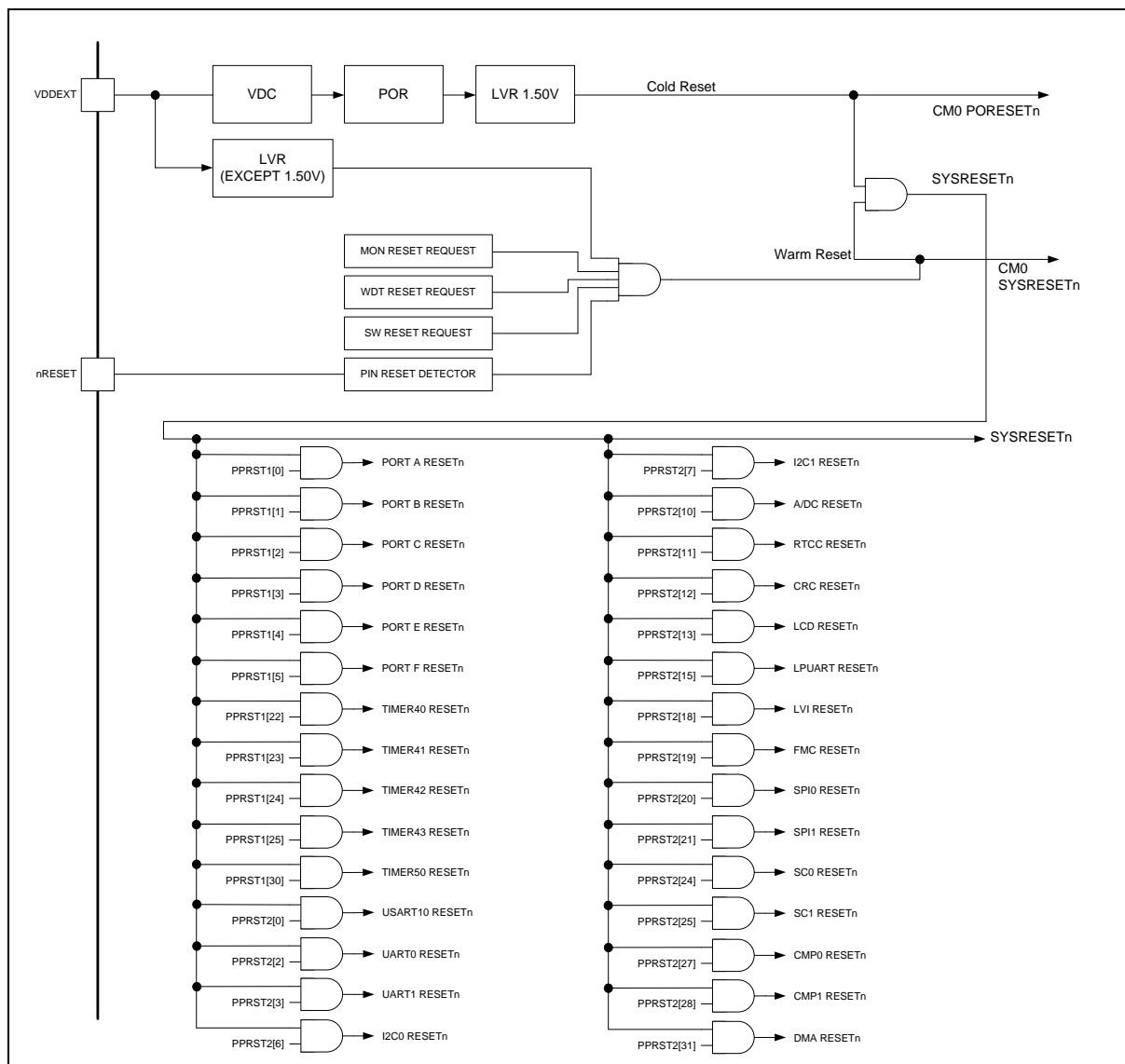


Figure 19. Reset Configuration

4.3.3 LVR reset

The LVR voltage level is set by a low voltage reset configuration register (CONF_LVRCNFIG) in the configuration option page 1.

LVR reset status appears in a register SCU_RSTSSR. The reset for LVR is controlled by a register SCU_LVRCR. The register is cleared to “0x00” on POR reset.

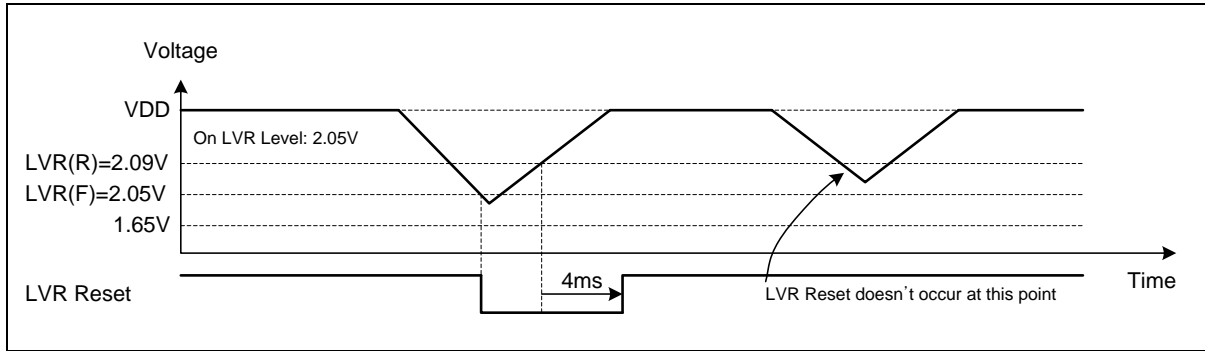


Figure 20. LVR Reset Timing Diagram

4.4 Operation mode

INIT mode is the initial state of the device when reset. At RUN mode, the chip runs at its max CPU performance with a high-speed clock system. At SLEEP and DEEP SLEEP mode, the chip runs at a low power consumption mode. The system saves power by halting the processor core and unused peripherals.

Figure 21 shows the operation mode transition diagram.

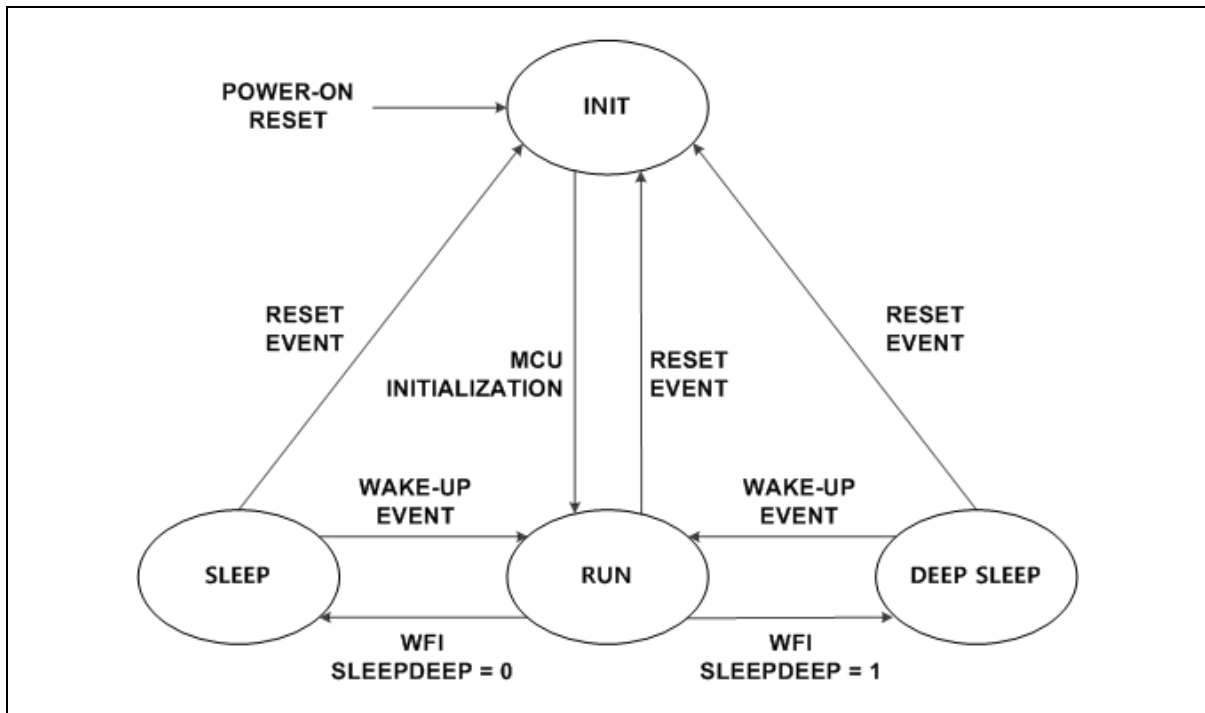


Figure 21. Operating Mode

4.4.1 Run mode

This mode is to operate CPU core and peripheral hardware with a high-speed clock. The device enters in the INIT state after reset, and then enters in the RUN mode.

4.4.2 Sleep mode

The device stops only CPU in this mode. Each peripheral function turns on by a function enable bit and a clock enable bit of the register SCU_PPCLKEN.

4.4.3 Deep sleep mode

The device stops not only CPU but also a selected system clock (MCLK) in this mode. RTCC with sub clock and watchdog timer with WDTRC still operate in this mode.

4.5 Pins for SCU

Table 9. Pins and External Signals for SCU

PIN NAME	TYPE	DESCRIPTION
nRESET	I	External Reset Input
XIN/XOUT	OSC	External Crystal Oscillator for Main Clock
SXIN/SXOUT	OSC	External Crystal Oscillator for Sub Clock
CLKO	O	Clock Output Monitoring Signal

5 PMU

A31L12x series has a built-in PMU (Power Management Unit), which manages the internal power supply of system control and peripheral parts and a wake-up time from sleep and deep sleep modes. This PMU has 32-bytes backup registers to retain data during deep sleep mode with power shut-off of system and peripherals except always-on region.

5.1 PMU block diagram

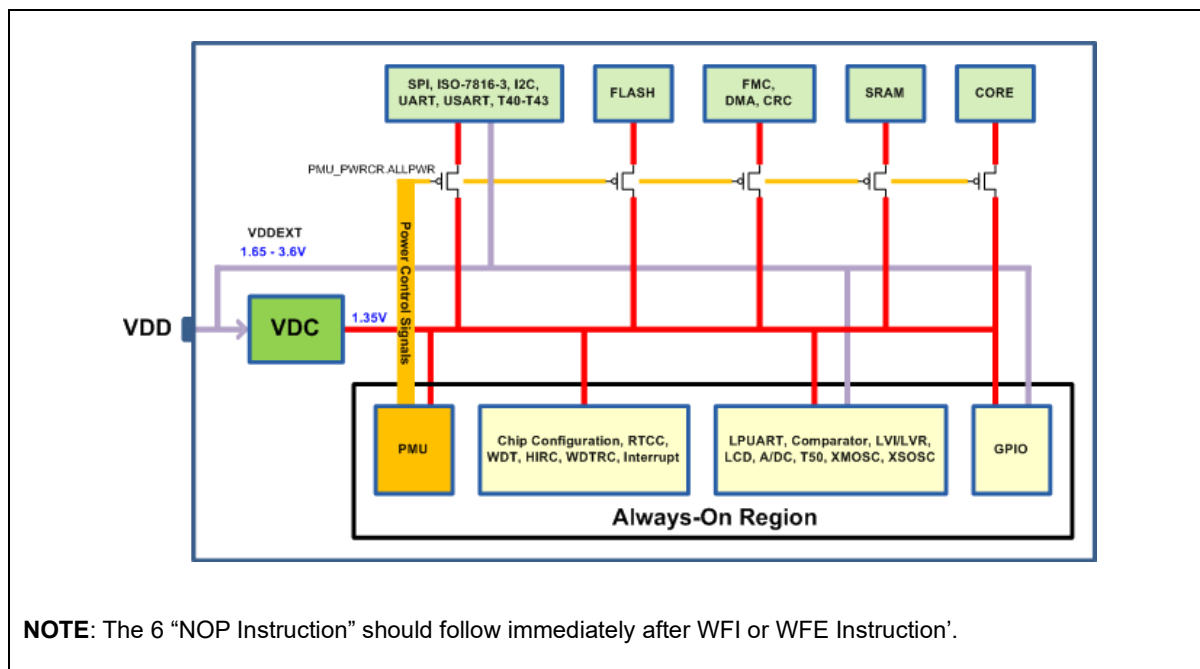


Figure 22. PMU Block Diagram

6 PCU and GPIO

PCU (Port Control Unit) configures and controls external I/Os as shown below:

- It configures direction of an external signal of each pin.
- It sets Interrupt trigger mode for each pin.
- The PCU sets internal pull-up/down register control and open drain control.

Most pins, except for dedicated function pins, can be used as GPIO (General Purpose I/O) ports. GPIO block controls the GPIO as shown below:

- Output signal level (H/L) select
- External interrupt interface
- Pull-up/down enable or disable

6.1 PCU and GPIO block diagrams

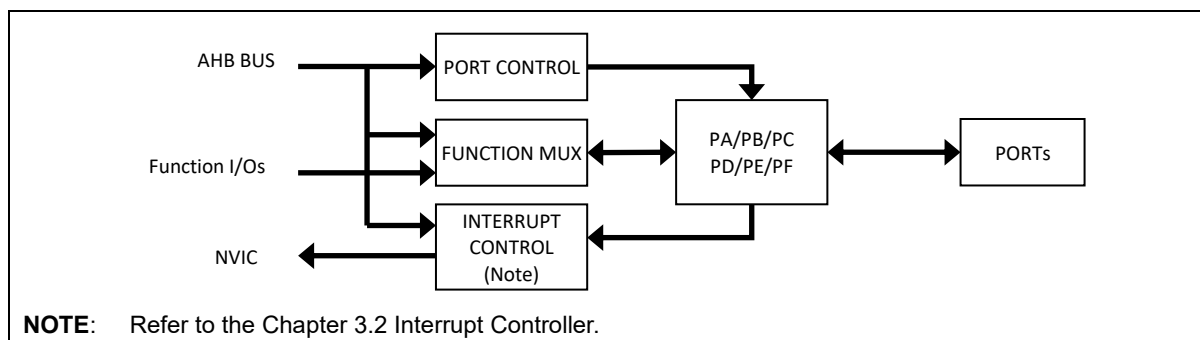


Figure 23. PCU Block Diagram

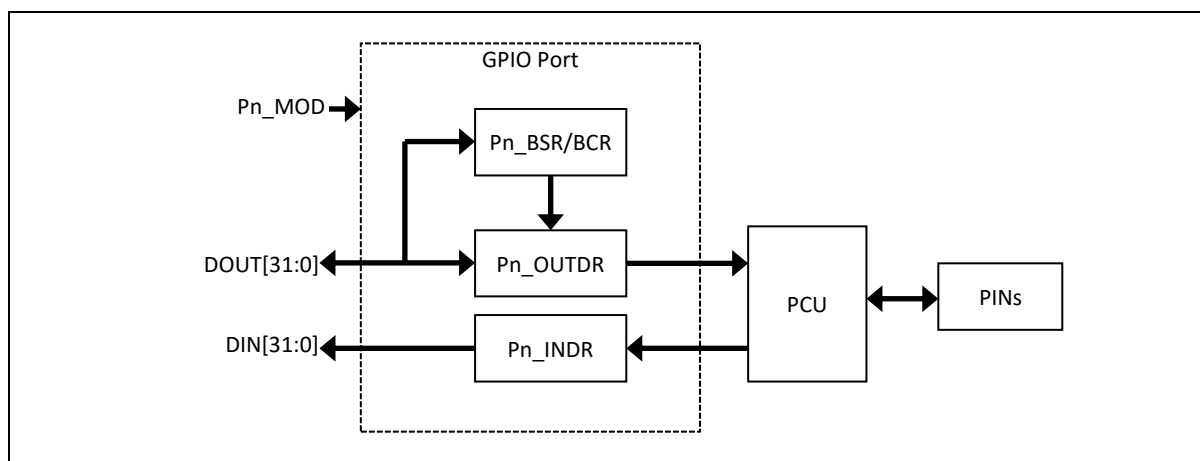


Figure 24. GPIO Block Diagram

6.2 I/O port block diagram

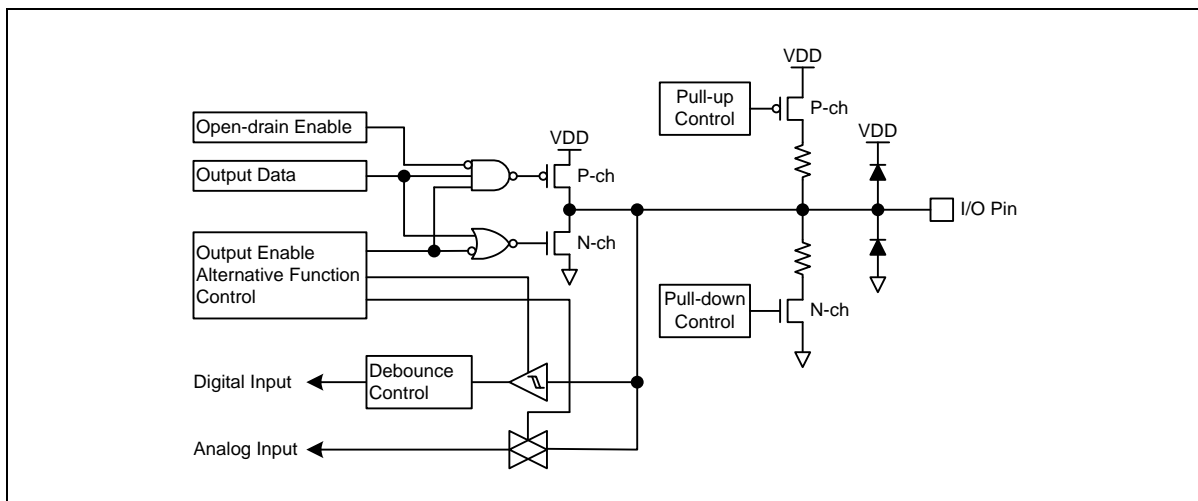


Figure 25. I/O Port Block Diagram (General Purpose I/O Pins)

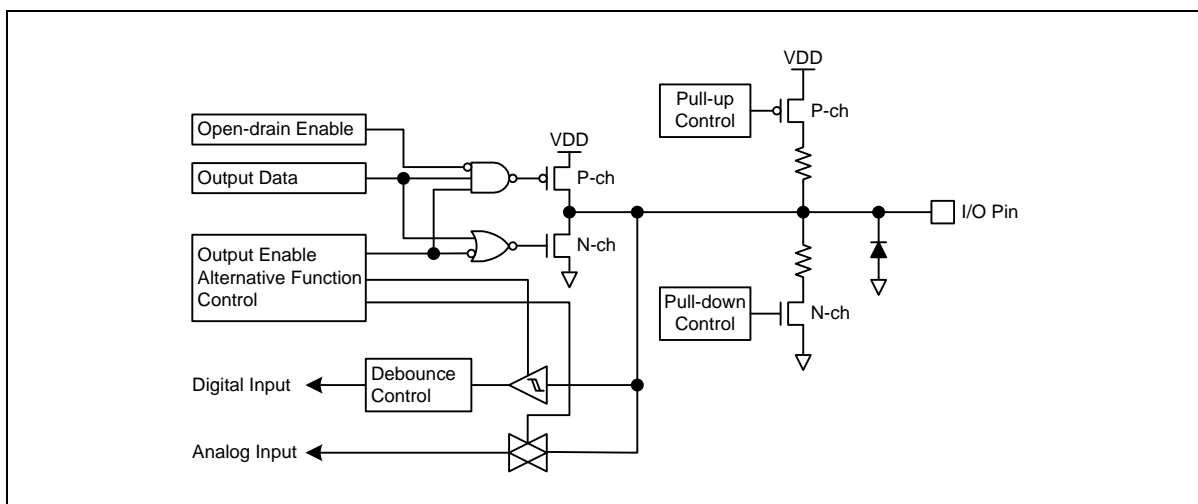


Figure 26. I/O Port Block Diagram (5V Tolerant I/O pins)

6.3 Pin multiplexing

GPIO pins support alternative functions. Table 10 shows pin multiplexing information.

Table 10. GPIO Alternative Functions

PORT	PIN	FUNCTION							
		AF0	AF1	AF2	AF3	AF4	AF5	AF6	AF7
PA	0	T40OUTA	T40INP	–	–	AN0	CP0N0	CP0OUT	–
	1	T40OUTB	EC40	T42INP	SS10	AN1	CP0P0	–	SEG19
	2	T41OUTA	T41INP	TXD10	MOSI10	AN2	CP1N0	CP1OUT	SEG18
	3	T41OUTB	EC41	RXD10	MISO10	AN3	CP1P0	ADTRG	SEG17
	4	–	T43INP	SS1	SCK10	AN4	CP0N1	CP1N1	–
	5	T40OUTA	T40INP	–	SCK1	AN5	CP0N2	CP1N2	–
	6	T43OUTA	T43INP	–	MISO1	AN6	–	CP0OUT	SEG16
	7	T43OUTB	EC43	–	MOSI1	AN7	CP1P1	CP1OUT	SEG15
	8	–	–	LPTXD	–	AN8	–	–	SEG14
9	–	–	LPRXD	–	AN9	–	–	SEG13	
PB	0	–	–	TXD1	–	AN10	–	–	SEG12
	1	–	–	RXD1	–	AN11	LPDE	–	SEG11
	2	T50OUT	–	–	–	–	–	–	SEG10
	3	T41OUTA	T41INP	LPTXD	SCK0	SCL1	–	ADTRG	SEG9
	4	T41OUTB	EC41	LPRXD	–	SDA1	–	ADTRG	SEG8
	5	–	–	–	SS0	–	LPDE	–	SEG7
	6	T42OUTA	T42INP	–	SCK0	SCL1	–	–	SEG6
	7	T42OUTB	EC42	RTCOUT	MISO0	SDA1	LPDE	ADTRG	SEG5
	8	–	–	–	MOSI0	–	–	–	SEG4
	9	T43OUTA	T43INP	–	–	–	–	–	SEG3
	10	T43OUTB	EC43	–	–	–	–	–	SEG2
	11	T43INP	–	–	–	–	–	–	SEG1
12	T42INP	–	–	–	–	–	–	SEG0	

Table 10. GPIO Alternative Functions (continued)

PORT	PIN	FUNCTION							
		AF0	AF1	AF2	AF3	AF4	AF5	AF6	AF7
PC	0	CLKO	–	–	–	SC0IN	–	–	COM0
	1	CLKO	–	TXD0	–	SC0PWR	–	–	COM1
	2	–	–	RXD0	–	SC0CLK	–	–	COM2
	3	–	–	–	MISO1	SC0RST	SC0RXD	CP0OUT	–
	4	–	–	–	MOSI1	SC0DATA	SC0TXD	CP1OUT	–
	5	SWDIO	–	–	–	–	–	–	–
	6	SWCLK	–	TXD10	MOSI10	SC0DATA	SC0TXD	–	–
	7	T40OUTA	T40INP	RXD10	MISO10	SC0RST	SC0RXD	SS1	SEG24
	8	–	–	LPTXD	SCK10	SC0CLK	–	–	COM4/ SEG25
	9	–	–	LPRXD	SS10	SC0PWR	–	–	COM5/ SEG26
	10	–	–	TXD1	–	SC0IN	–	–	COM6/ SEG27
11	–	–	RXD1	–	–	LPDE	–	COM7/ SEG28	
PD	0	T40OUTB	EC40	–	SCK1	SC1CLK	CP1N3	–	SEG29
	1	T43OUTA	T43INP	–	MISO1	SC1RST	SC1RXD	CP1P2	SEG30
	2	T43OUTB	EC43	EC50	MOSI1	SC1DATA	SC1TXD	CP1P3	SEG31
	3	–	–	TXD0	–	SC1IN	SCL0	CP1P4	VLC0
	4	–	T50INP	RXD0	–	SC1PWR	SDA0	CP1P5	–
	5	BOOT	–	–	–	–	–	–	–
	6	–	–	–	–	SCL0	–	–	SEG32
	7	–	–	–	SS0	SDA0	–	–	COM3
PE	0	SXIN	–	–	–	–	–	–	–
	1	SXOUT	–	–	–	–	–	–	–
	2	XIN	–	–	–	–	–	–	–
	3	XOUT	–	–	–	–	–	–	–
	4	RTCOUT	–	–	–	–	–	–	–

Table 10. GPIO Alternative Functions (continued)

PORT	PIN	FUNCTION							
		AF0	AF1	AF2	AF3	AF4	AF5	AF6	AF7
PF	0	–	EC50	–		AN12	–	–	SEG23
	1	T50OUT	–	–	–	AN13	–	–	SEG22
	2	–	T50INP	–	MISO0	AN14	–	–	SEG21
	3	–	–	–	MOSI0	AN15	–	–	SEG20

NOTES:

1. The PC8 – PC11 are automatically configured as common or segment signal according to the duty of the LCD control register when the pins are selected as alternative functions for common/segment.
2. The SWCLK and SWDIO pins shouldn't be changed as other alternative functions by software during the pins are connected with debugger host.
3. The VDD should be greater than or equal to 2.0V if CP1P2, CP1P3, CP1P4, and CP1P5 are used as comparator pins for alternative function.

7 WDT

WDT (Watchdog Timer) rapidly detects CPU malfunctions such as endless loops caused by noise and recovers the CPU to the normal state. WDT signal for malfunction detection can be used as either a CPU reset or an interrupt request.

When the WDT is not being used for malfunction detection, it can be used as a timer to generate interrupts at fixed intervals. When WDT_CNT value reaches WDT_WINDR value, a watchdog interrupt can be generated. The underflow time of the WDT can be set by WDT_DR. If an underflow occurs, an internal reset may be generated. The WDT operates at 40KHz which is the embedded RC oscillator's clock.

The WDT operations are listed in the followings:

- 24-bit down counter (WDT_CNT)
- Select reset or periodic interrupt
- Count clock selection
- Watchdog overflow output signal
- Includes Counter Window function

7.1 WDT block diagram

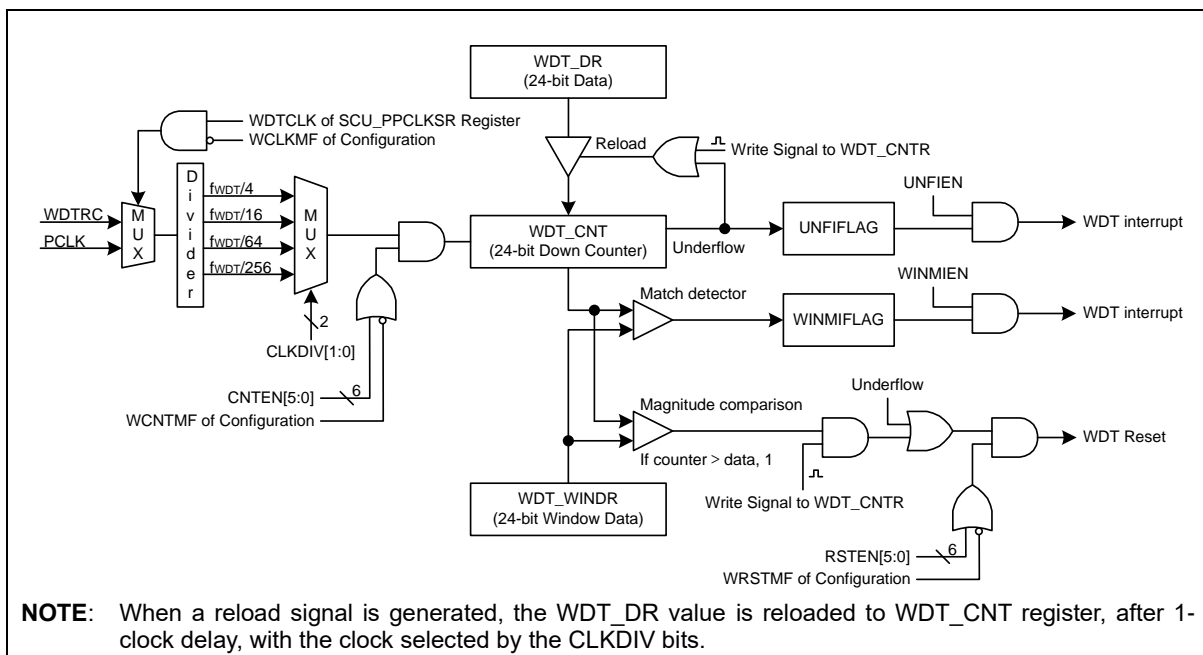


Figure 27. WDT Block Diagram

9 Timer counter 40/41/42/43 and Timer counter 50

9.1 Timer counter 40/41/42/43

Each of Timer counter 40/41/42/43 is a 16-bit general purpose timer with two outputs. It has an independent 16-bit counter and a dedicated prescaler that feeds counting clock. It supports periodic timer, PWM pulse, one-shot and capture mode.

Main purpose of this timer is to work as a periodical tick timer or to provide a wake-up source. The operations of Timer counter 40/41/42/43 are listed in the followings:

- 12-bit prescaler and 16-bit up-counter
- Interval timer, One-shot timer, Back-to-back, and Capture mode
- Counter sharing function to connect each other
- Synchronous start and clear function

9.1.1 Timer counter 40/41/42/43 block diagram

Figure 29 shows the block diagram of a timer block unit.

9.2 Timer counter 50

A timer block includes a single channel 16-bit general purpose timer. This timer has an independent 16-bit counter and a dedicated prescaler that feeds counting clock. It supports periodic timer, PWM pulse, one-shot timer and capture mode.

Additional free-run timer is optionally provided. Main purpose of this timer is to work as a periodical tick timer or to provide a wake-up source. The Timer counter 50 features the followings:

- 16-bit up-counter and 8-bit prescaler
- Interval timer, One-shot timer, PWM pulse, and Capture mode
- Synchronous start and clear function
- Low power operation with WDTRC or XSOSC

9.2.1 Timer counter 50 block diagram

Figure 30 shows the block diagram of a timer block unit.

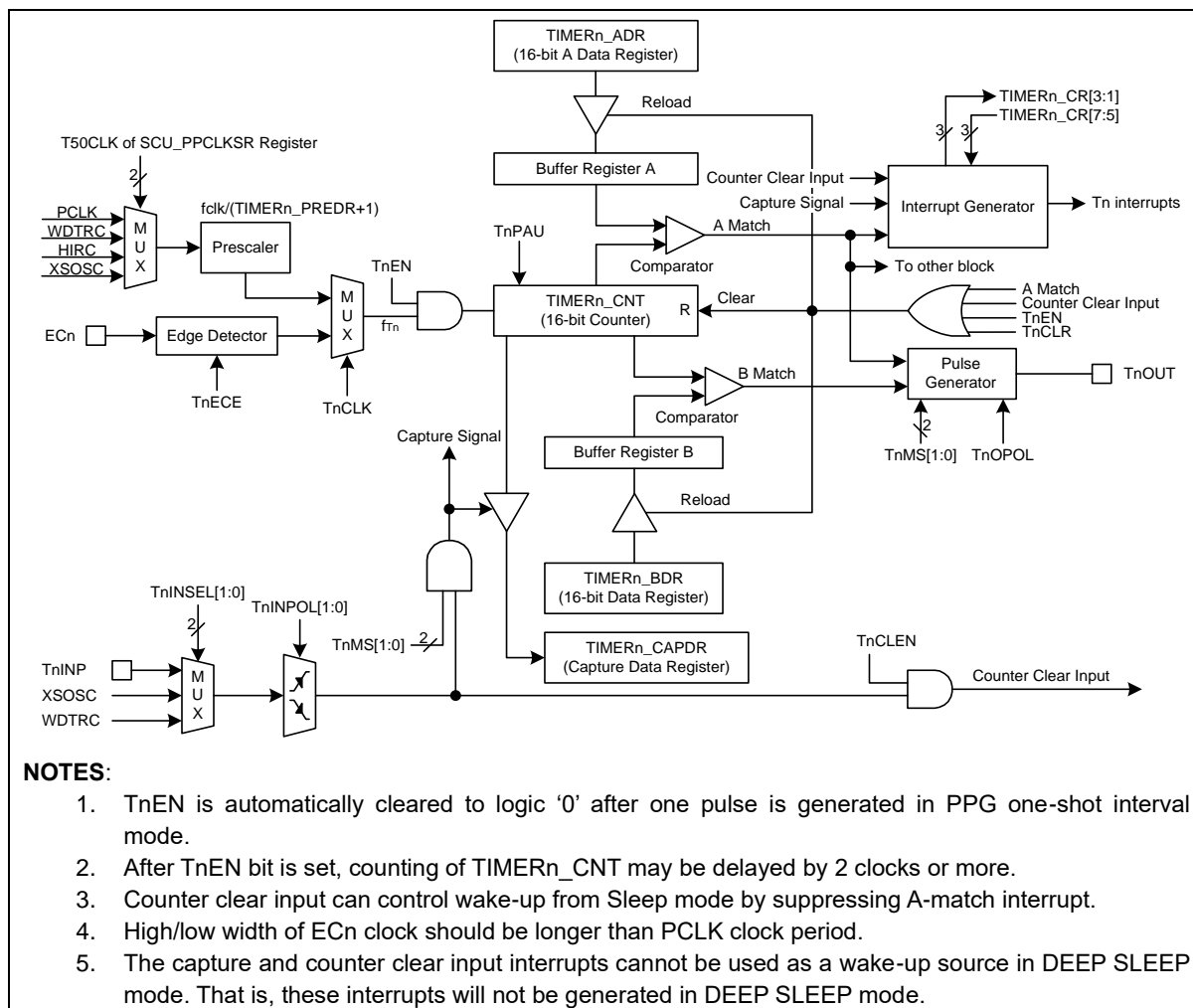


Figure 30. Timer Counter 50 Block Diagram (n = 50)

9.2.2 Pins for Timer counter 50

Table 12. Pins and External Signals for Timer Counter 50 (n = 50)

PIN NAME	TYPE	DESCRIPTION
ECn	I	External clock input
TnINP	I	Capture/Clear input
TnOUT	O	PWM/one-shot output

10 High speed 12-bit ADC

ADC (Analog-to-Digital Converter) of A31L12x series allows conversion of an analog input signal to a corresponding 12-bit digital value. Its A/D module has sixteen analog inputs as shown in Figure 31. Output of the multiplexer is the input into the converter, which generates the result through successive approximation.

The A/D module has seven registers such as a control register (ADC_CR), a data register (ADC_DR), a prescaler data register (ADC_PREDR), an oversampling control register (ADC_OVSCR), an interrupt enable and status register (ADC_IESR), a sampling time register (ADC_SAMR), and a channel selection register (ADC_CHSELR). The A/D module supports single, sequential, and continuous conversion modes. Main features of the ADC are listed in the followings:

- 16-channel of analog inputs
- S/W (ADST), Timer trigger (T40/41/42/43 ADC trigger signal), and external trigger support
- Conversion time: Up to 1us with 12 clocks + at least 4 sample/hold clocks
- 4-bit Prescaler and 16-bit data registers
- Up to 256 over sampling
- Single, sequential, and continuous conversion mode

10.1 12-bit ADC block diagram

Figure 31 shows a block diagram of an ADC block.

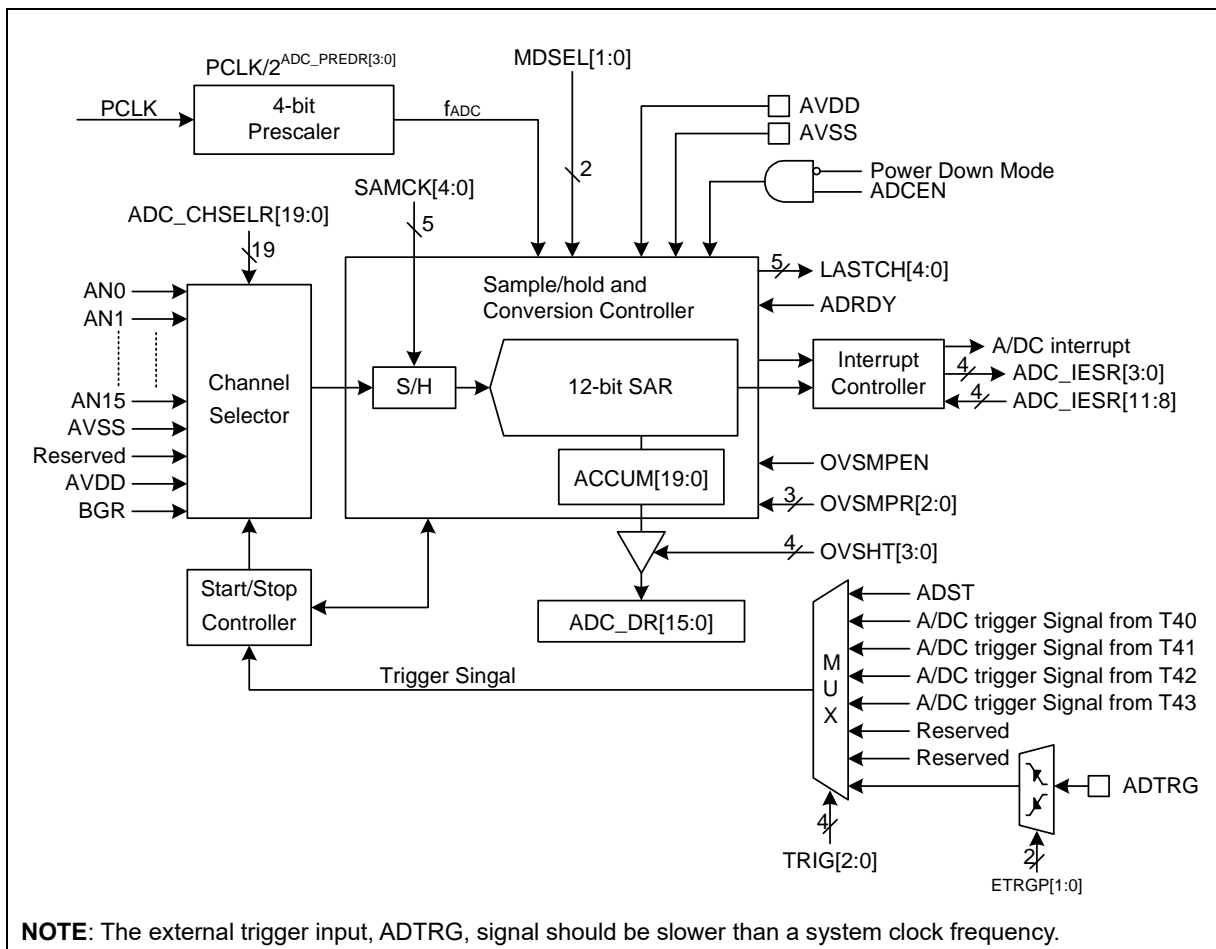


Figure 31. 12-bit ADC Block Diagram

10.2 Pins for 12-bit ADC

Table 13. Pins and External Signals for 12-bit ADC

PIN NAME	TYPE	DESCRIPTION
AN0	A	ADC Input 0
AN1	A	ADC Input 1
AN2	A	ADC Input 2
AN3	A	ADC Input 3
AN4	A	ADC Input 4
AN5	A	ADC Input 5
AN6	A	ADC Input 6
AN7	A	ADC Input 7
AN8	A	ADC Input 8
AN9	A	ADC Input 9
AN10	A	ADC Input 10
AN11	A	ADC Input 11
AN12	A	ADC Input 12
AN13	A	ADC Input 13
AN14	A	ADC Input 14
AN15	A	ADC Input 15
AVSS	AP	Analog GND
AVDD	AP	Analog Power

NOTE: Where A=Analog, AP= Analog Power

11 Comparator 0/1

A31L12x series includes two comparator modules. Each comparator module has three registers such as a control register (CMP_CR), a status register (CMP_SR), and a reference control register (CMP_RCR). The comparator module has an internal reference circuit too.

The comparator module features the followings:

- External analog inputs
- Hysteresis function
- Low and fast speed selectable
- Wake-up possible from deep sleep mode

11.1 Comparator 0/1 block diagram

Figure 32 shows a block diagram of the comparator block.

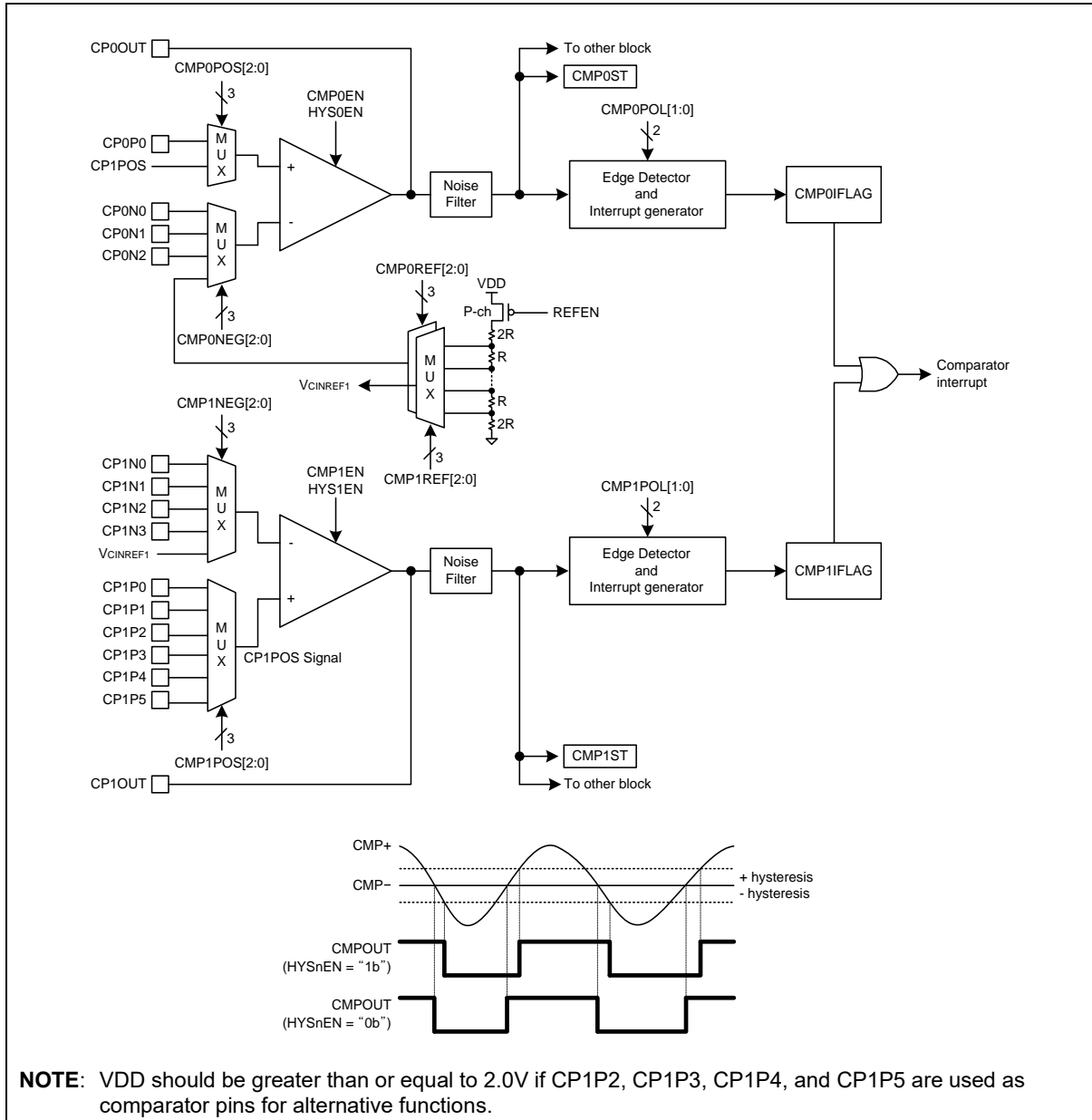


Figure 32. Comparator 0/1 Block Diagram

11.2 Pins for Comparator 0/1

Table 14. Pins and External Signals for Comparator 0/1

PIN NAME	TYPE	DESCRIPTION
CP0P0	A	Comparator 0 positive input
CP0N0	A	Comparator 0 negative input
CP0N1	A	Comparator 0 negative input
CP0N2	A	Comparator 0 negative input
CP0OUT	A	Comparator 0 output
CP1P0	A	Comparator 1 positive input
CP1P1	A	Comparator 1 positive input
CP1P2	A	Comparator 1 positive input
CP1P3	A	Comparator 1 positive input
CP1P4	A	Comparator 1 positive input
CP1P5	A	Comparator 1 positive input
CP1N0	A	Comparator 1 negative input
CP1N1	A	Comparator 1 negative input
CP1N2	A	Comparator 1 negative input
CP1N3	A	Comparator 1 negative input
CP1OUT	A	Comparator 1 output

12 USART 10, UART 0/1, and LPUART

12.1 USART 10

USART (Universal Synchronous and Asynchronous serial Receiver and Transmitter) is a highly flexible serial communication device. The USART of A31L12x series features the followings:

- Full Duplex Operation. (Independent Serial Receive and Transmit Registers)
- Asynchronous or Synchronous Operation
- Baud Rate Generator
- Supports Serial Frames with 5,6,7,8, or 9 Data bits and 1 or 2 Stop bits
- Odd or Even Parity Generation, and Parity Check Supported by Hardware.
- Supports Receive Character Detection and Receive Time Out Function
- Data OverRun Detection
- Framing Error Detection
- Three Separate Interrupts on TX Completion, TX Data Register Empty and RX Completion
- Double Speed Asynchronous communication mode
- Up to 16MHz data transfer for SPI

12.1.1 USART 10 block diagram

Figure 33 shows a block diagram of the UART block.

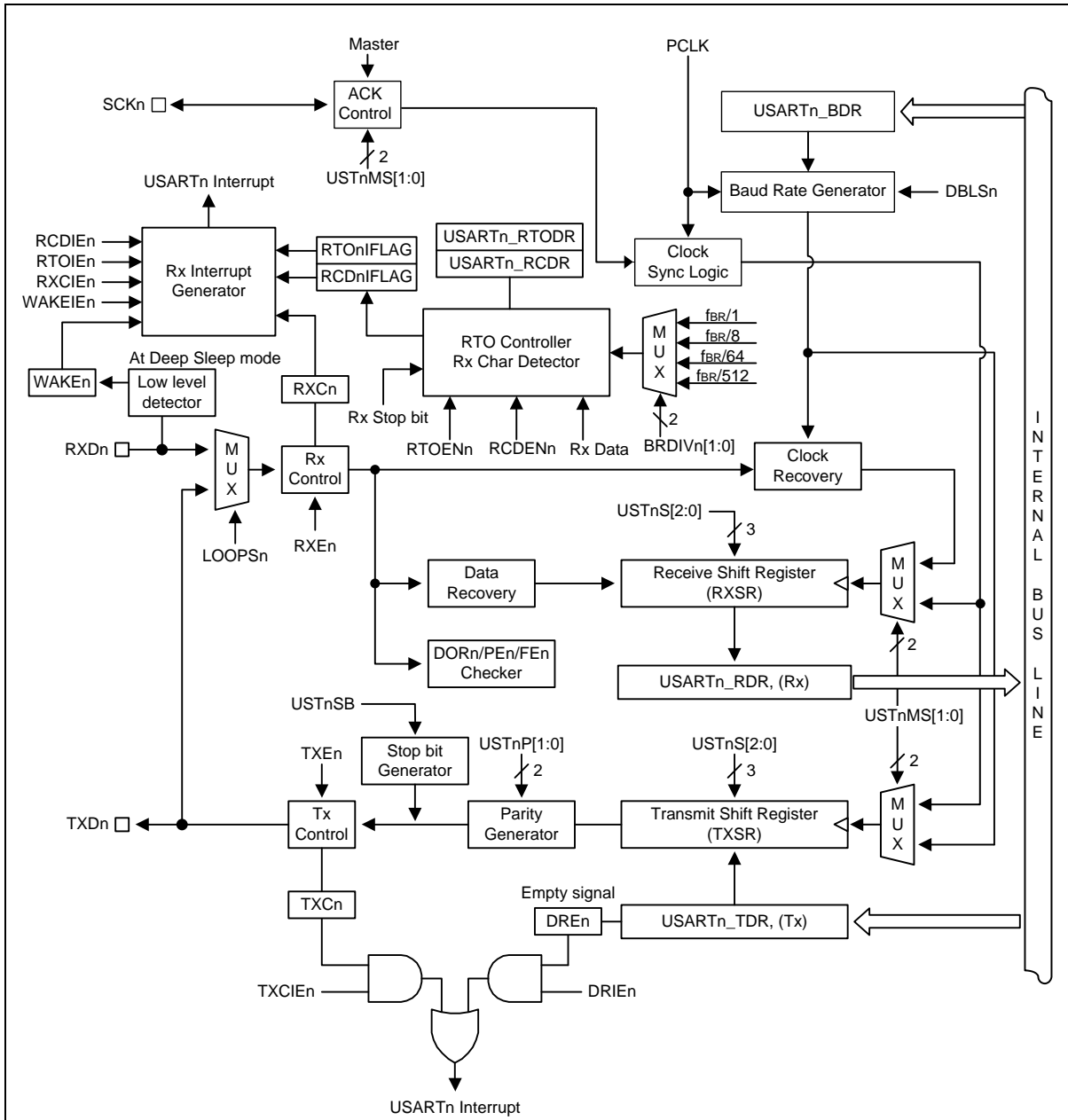


Figure 33. UART Block Diagram of USART (n = 10)

Figure 34 shows a block diagram of the SPI block.

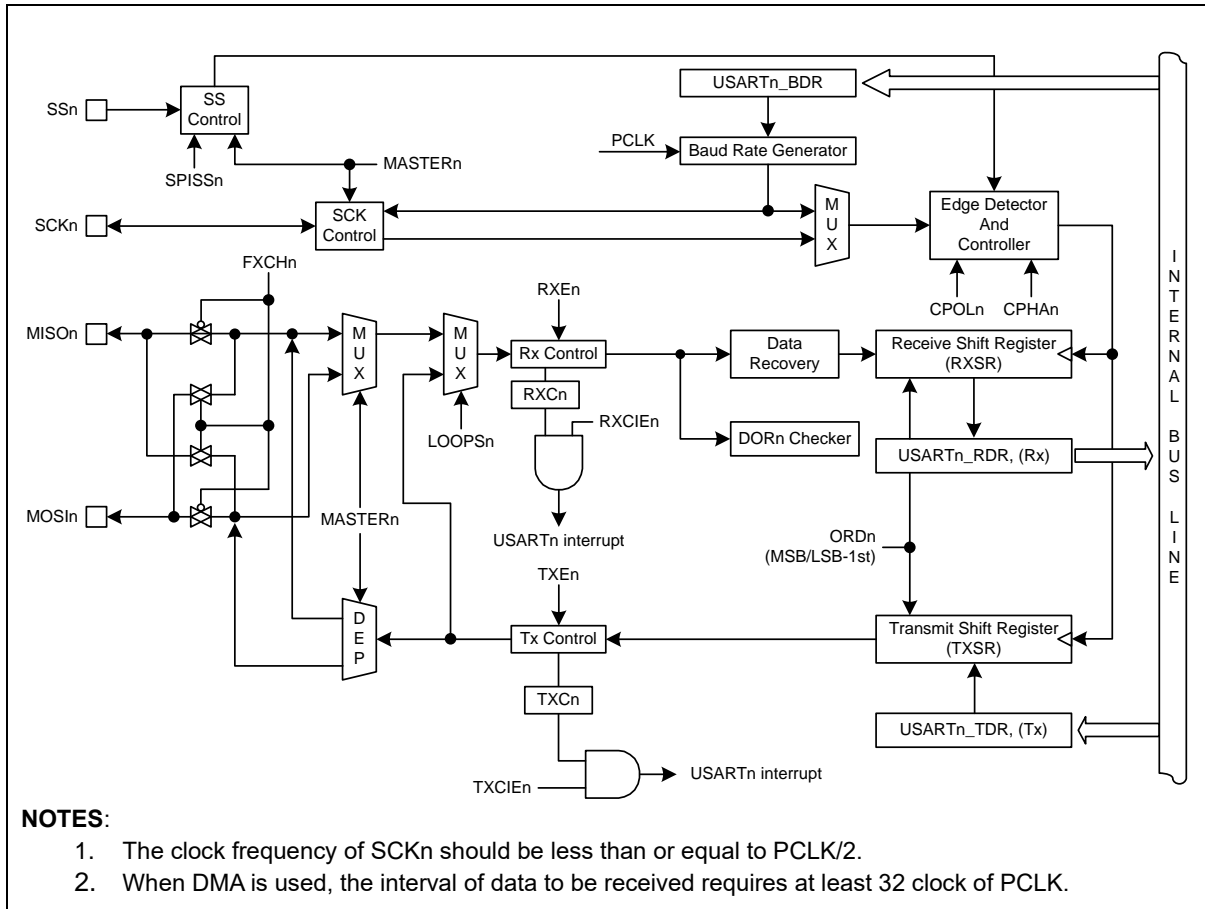


Figure 34. SPIn Block Diagram of USART (n = 10)

12.1.2 Pins for USART 10

Table 15. Pins and External Signals for USART 10

PIN NAME	TYPE	DESCRIPTION
TXDn	O	USART Channel n transmit output
RXDn	I	USART Channel n receive input
SSn	I/O	SPIn Slave select input / output
SCKn	I/O	SPIn Serial clock input / output
MOSIn	I/O	SPIn Serial data (Master output, Slave input)
MISOIn	I/O	SPIn Serial data (Master input, Slave output)

12.2 UART 0/1

There are built-in 2-channel of UART modules (Universal Asynchronous Receiver/Transmitter) in A31L12x series. UART operation status including error status can be read from a status register.

A baud rate generator, which generates proper baud rate, exists for each UART channel. This baud rate generator can divide PCLK from 1 to 65536. Then, baud rate is generated using a 1:16 clock and an 8-bit precision clock tuning function.

The UART 0/1 of A31L12x series features the followings:

- Compatible with 16450
- Configurable standard asynchronous control bit (start, stop, and parity)
- Programmable 16-bit fractional baud generator
- Programmable serial communication
- 5-, 6-, 7- or 8- bit data transfer
- Even, odd, or no-parity bit insertion and detection
- 1-, 1.5- or 2-stop bit-insertion and detection
- 16-bit baud rate generation with 8-bit fraction control
- Hardware inter-frame delay function
- Stop bit error detection
- Detail status register

12.2.1 UART 0/1 block diagram

Figure 35 shows a block diagram of the UART block.

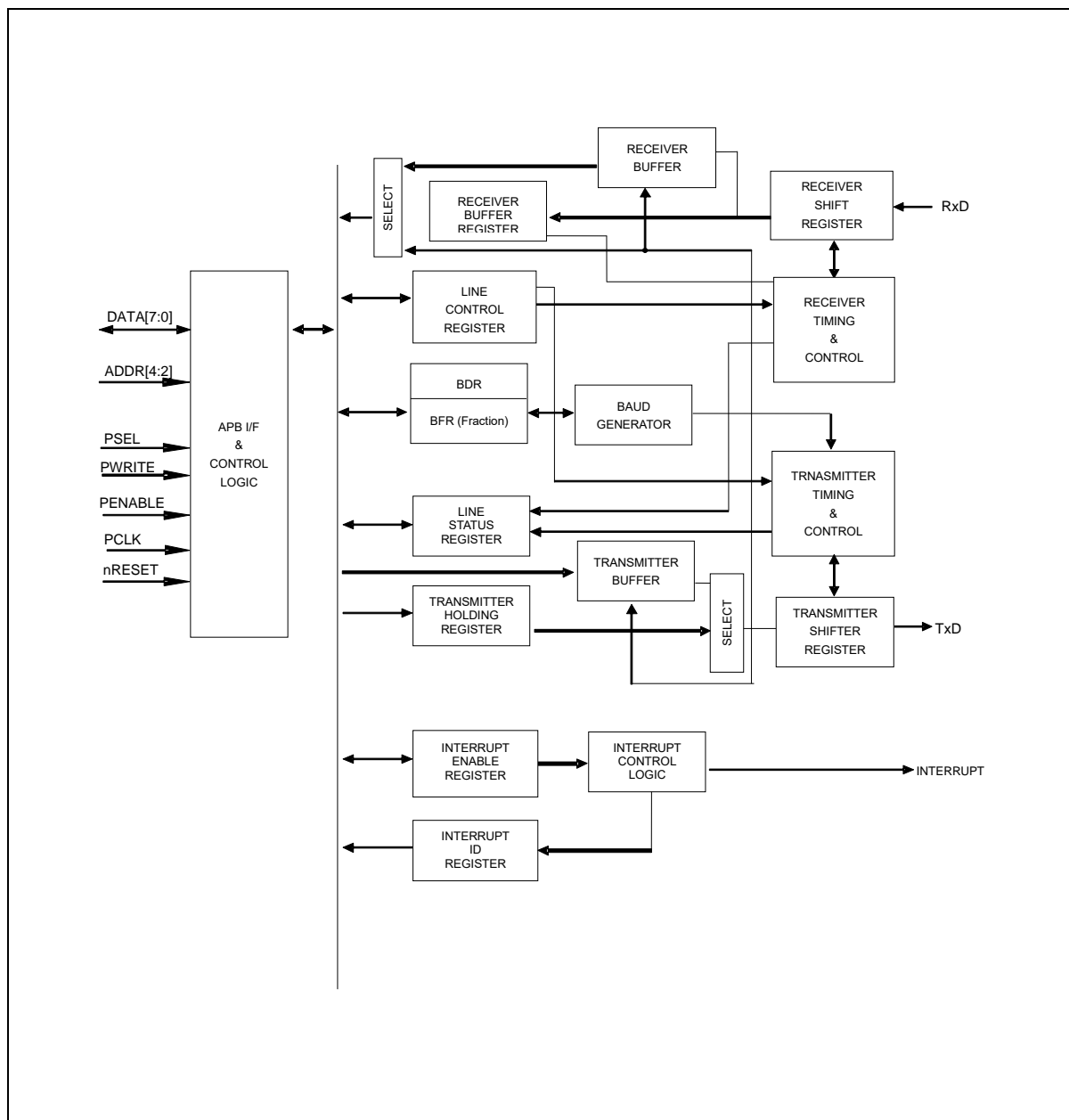


Figure 35. UART 0/1 Block Diagram

12.2.2 Pins for UART 0/1

Table 16. Pins and External Signals for UART 0/1

PIN NAME	TYPE	DESCRIPTION
TXDn	O	UART Channel n transmit output
RXDn	I	UART Channel n receive input

12.3 LPUART

There is a built-in 1-channel of low power UART module (Universal Asynchronous Receiver/Transmitter) in A31L12x series. This LPUART (Low Power UART) supports asynchronous serial communication up to 9600bps in Deep sleep mode with 32.768KHz sub-oscillator. It also supports 1-wire half-duplex communication.

The LPUART of A31L12x series features the followings:

- Full-Duplex and Half-Duplex Operations
- Baud Rate Generator
- Supports Serial Frames with 5,6,7, or 8 Data bits and 1 or 2 Stop bits
- Odd or Even Parity Generation, and Parity Check Supported by Hardware
- Supports Receive Character Detection and Receive Time Out Function
- Baud Rate Compensation Function
- Supports up to 9600pbs with 32.768KHz sub-oscillator
- Data OverRun Detection
- Framing Error Detection
- Double Speed Asynchronous Communication Mode

12.3.1 LPUART block diagram

Figure 36 shows a block diagram of the LPUART block.

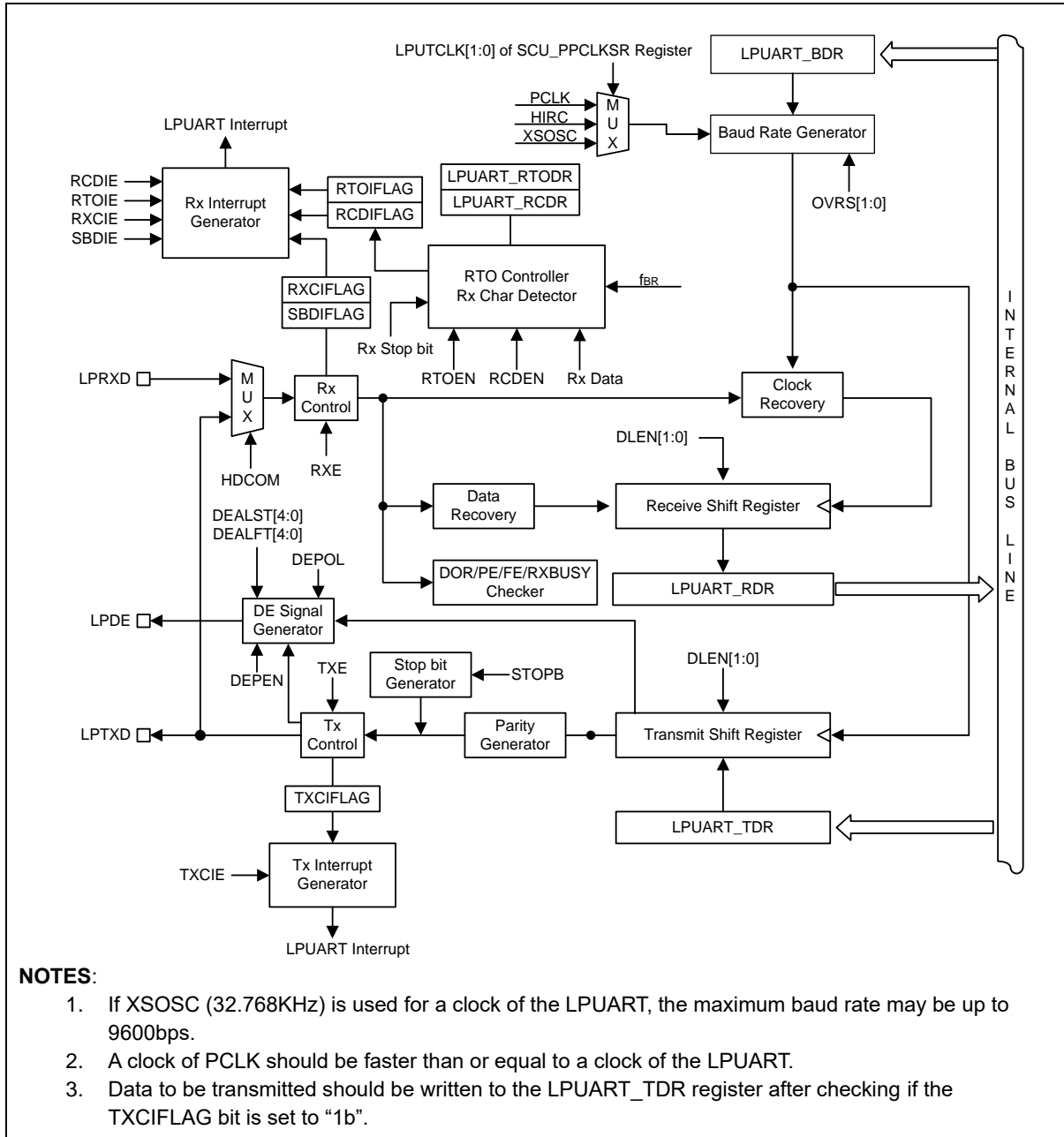


Figure 36. LPUART Block Diagram

12.3.2 Pins for LPUART

Table 17. Pins and External Signals for LPUART

PIN NAME	TYPE	DESCRIPTION
LPTXD	O	Low Power UART transmit output
LPRXD	I	Low Power UART receive input
LPDE	O	Low Power UART DE signal output

13 I2C 0/1, SPI 0/1, and smartcard 0/1 interface

13.1 I2C 0/1 interface

I2C is one of industrial standard serial communication protocols, which uses 2 bus lines, Serial Data Line (SDAn) and a Serial Clock Line (SCLn), to exchange data. Because both SDAn and SCLn lines are open-drain output, each line needs a pull-up resistor (n = 0 and 1).

The I2C interface 0/1 of A31L12x series features the followings:

- Compatible with I2C bus standard
- Multi-master operation
- Up to 1MHz data transfer read speed
- 7-bit address
- Support two slave addresses
- Both master and slave operation
- Bus busy detection

13.1.1 I2C 0/1 block diagram

Figure 37 shows a block diagram of the I2C block.

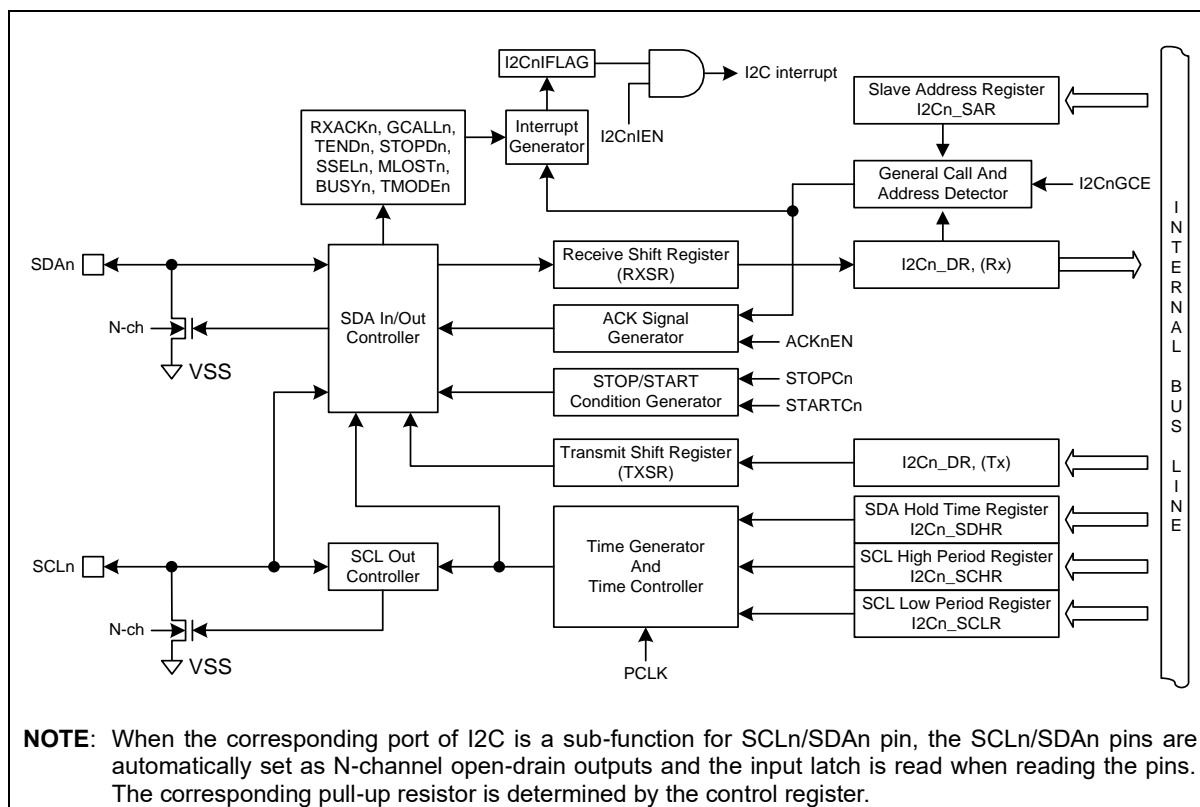


Figure 37. I2C Block Diagram (n = 0 and 1)

13.1.2 Pins for I2C 0/1

Table 18. Pins and External Signals for I2C (n = 0 and 1)

PIN NAME	TYPE	DESCRIPTION
SCLn	I/O	I2C channel n Serial clock bus line (open-drain)
SDAn	I/O	I2C channel n Serial data bus line (open-drain)

13.2 SPI 0/1 interface

SPI interface allows synchronous serial data transfer between external serial devices. It can do full-duplex communication by using 4-wires (MOSIn, MISO_n, SCK_n, SS_n) and support master/slave mode. In addition, the SPI can select serial clock (SCK_n) polarity and whether LSB first data transfer or MSB first data transfer.

The SPI 0/1 of A31L12x series features the followings:

- Supports master and slave mode
- Clock polarity selectable
- Up to 16MHz data transfer
- Exchangeable MOSIn and MISO_n function

- Supports DMA transfer
- Programmable guard time
- Supports auto activation sequence
- Supports auto warm reset sequence
- Supports auto deactivation sequence
- Supports auto convention detection sequence
- Baud rate compensation function
- Selectable UART mode
- Full duplex asynchronous operation
- Programmable baud-rate generation
- Selectable even, odd, or no parity bit generation and detection
- Selectable 1 or 2 stop bit generation
- Programmable data delay time after stop bit

13.3.1 Smartcard interface 0/1 block diagram

Figure 39 shows a block diagram of the Smartcard interface block.

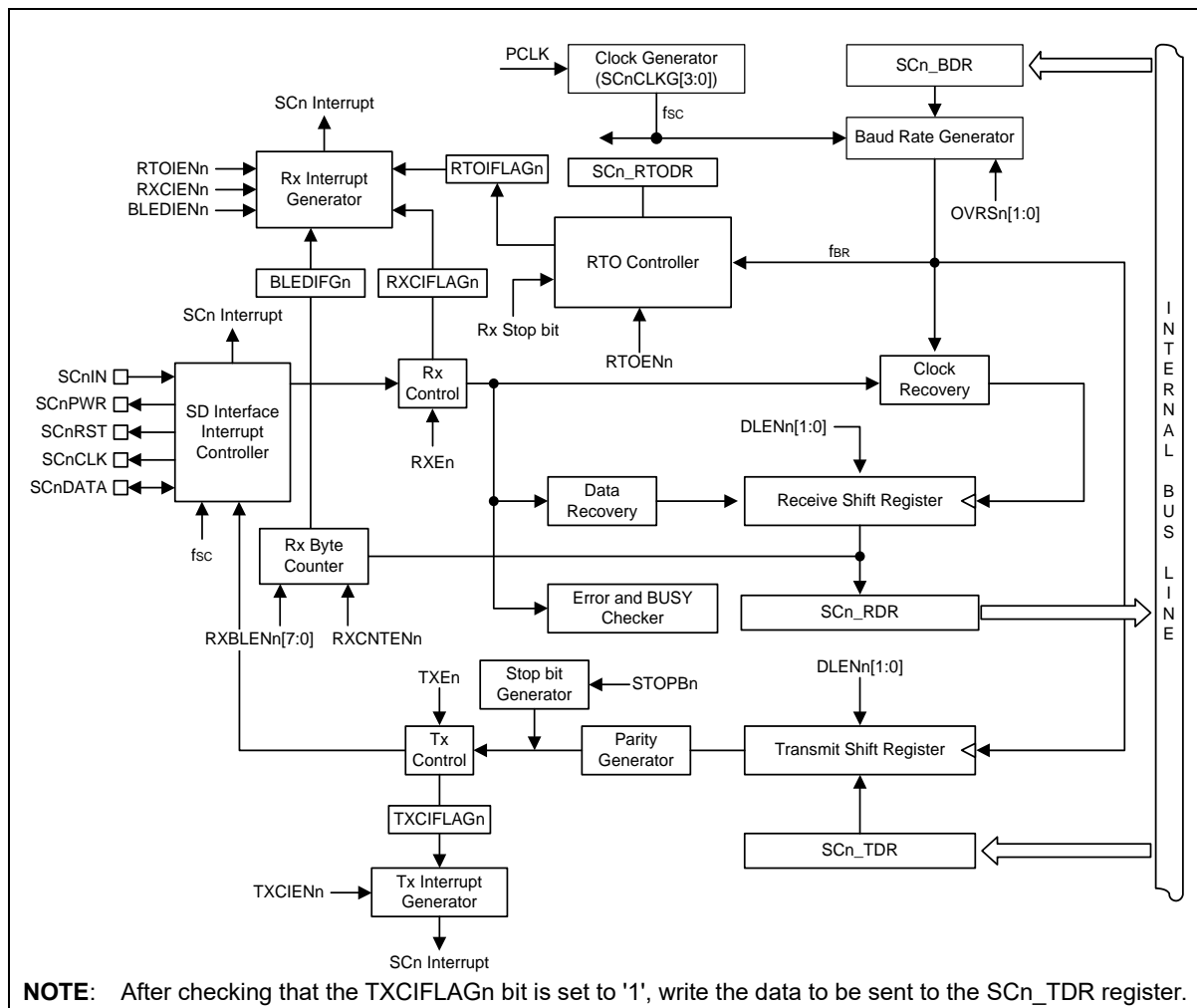


Figure 39. Smartcard Interface Block Diagram (n = 0 and 1)

13.3.2 Pins for Smartcard interface 0/1

Table 20. Pins and External Signals for Smartcard Interface (n = 0 and 1)

PIN NAME	TYPE	DESCRIPTION
SCnPWR	O	Smartcard power control output
SCnDATA	I/O	Smartcard data input/output
SCnRST	O	Smartcard reset output
SCnCLK	O	Smartcard clock output
SCnIN	I	Smartcard detection input
SCnTXD	O	SCn's UART data output
SCnRXD	I	SCn's UART data input

14 LCD driver

LCD driver of A31L12x series includes an LCD control register (LCD_CR) and an LCD bias and contrast control register (LCD_BCCR). LCLK[1:0] of the LCD_CR determines frequency of COM signal scanning each segment output. A RESET clears the LCD_CR, and sets the LCD_BCCR to logic '0'.

LCD display can continue its operation even during Sleep mode and Deep sleep mode if it uses a selected clock for LCD driver.

A clock and duty of the LCD driver is initialized by hardware whenever a value is written to the control register. So, it is recommended not to rewrite the LCD_CR frequently.

14.1 LCD driver block diagram

Figure 40 shows a block diagram of the LCD driver block.

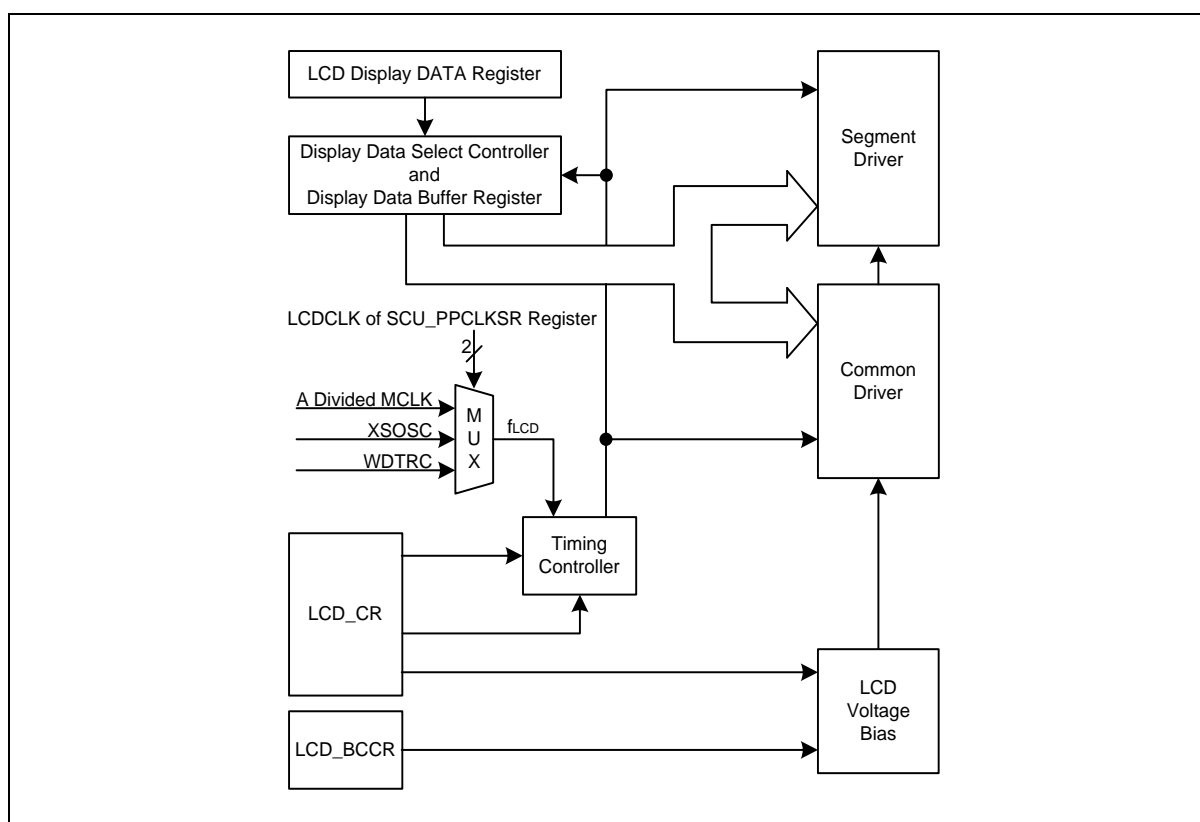


Figure 40. LCD Driver Block Diagram

14.2 Pins for LCD driver

Table 21. Pins and External Signals for LCD Driver

PIN NAME	TYPE	DESCRIPTION
COM0 - COM7	O	LCD common signal outputs
SEG0 - SEG32	O	LCD segment signal outputs
VLC0	I/O	LCD bias voltage input/output

15 CRC and checksum

A CRC (cyclic redundancy check) generator is used to obtain 8/16/32-bit CRC code of Flash ROM and any data stream.

Among other applications, CRC-based techniques are used to verify data transmission or storage integrity. In the scope of functional safety standards, they offer means of verifying Flash memory's integrity.

The CRC generator helps computing the signature of the software during runtime, comparing with a reference signature.

A CRC generator of A31L12x series has following features:

- Auto CRC and User CRC Mode
- Supports CRC-CCITT ($G_1(x) = x^{16} + x^{12} + x^5 + 1$)
- Supports CRC-16 ($G_2(x) = x^{16} + x^{15} + x^2 + 1$)
- Supports CRC-8 ($G_3(x) = x^8 + x^2 + x + 1$)
- Supports CRC-32 ($G_4(x) = x^{32} + x^{26} + x^{23} + x^{22} + x^{16} + x^{12} + x^{11} + x^{10} + x^8 + x^7 + x^5 + x^4 + x^2 + x + 1$)
- CRC and Checksum mode
- CRC/Checksum Start Address Auto Increment (User mode only)

15.1 CRC and checksum block diagram

Figure 41 shows a block diagram of the CRC and checksum interface block.

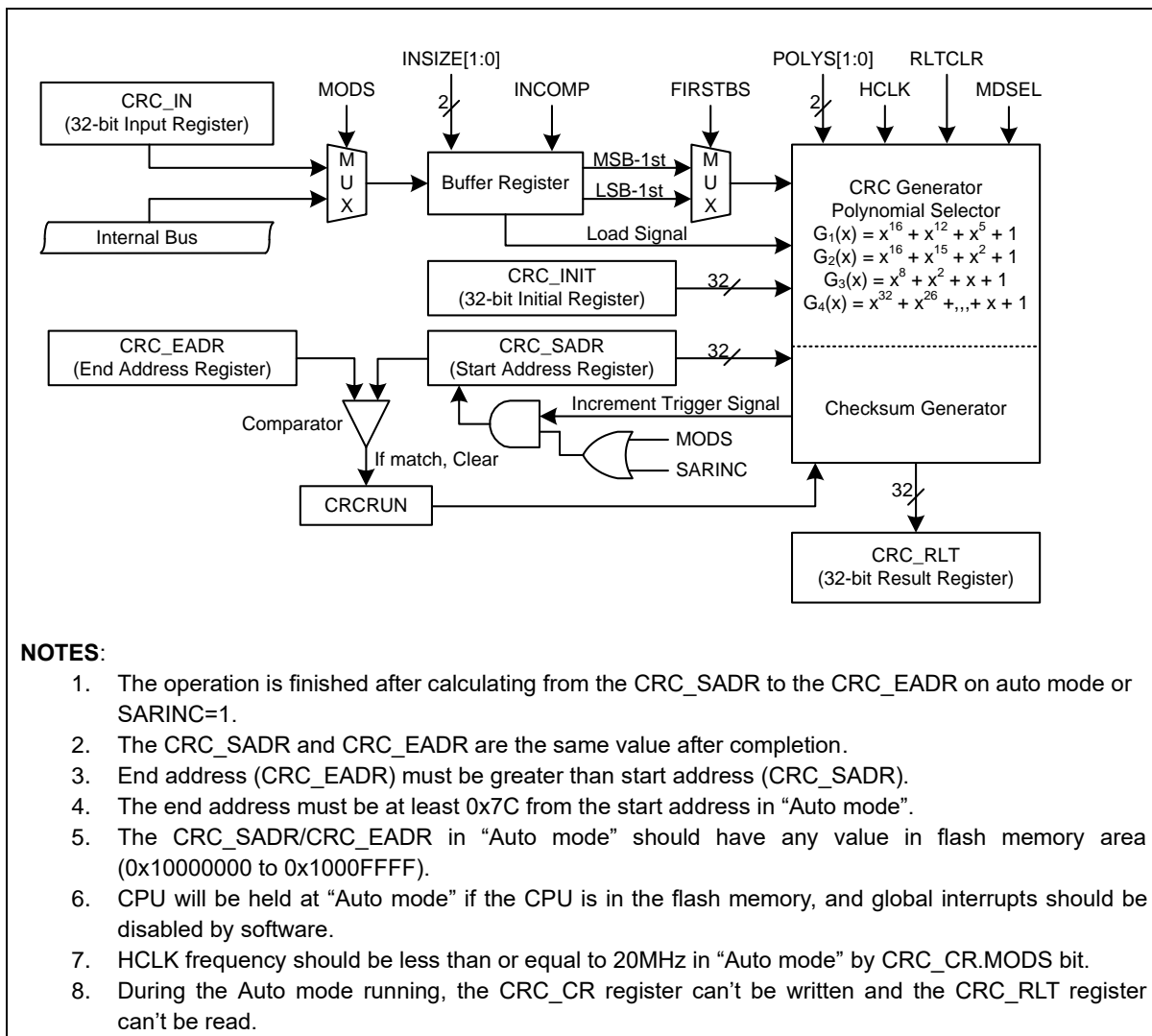


Figure 41. CRC and Checksum Block Diagram

17 Electrical characteristics

Unless otherwise specified, test conditions for DC characteristics are as shown in the followings:

- $T_A = -40\text{ }^{\circ}\text{C}$ to $+85\text{ }^{\circ}\text{C}$ (Commercial grade) or $T_A = -40\text{ }^{\circ}\text{C}$ to $+105\text{ }^{\circ}\text{C}$ (Industrial grade)
- $V_{DD} = 1.65\text{V}$ to 3.6V

NOTES:

1. Refer to Figure 62. A31L12x Series Numbering Nomenclature for device part number by Commercial and Industrial grade.

17.1 Absolute maximum ratings

Absolute maximum ratings are limiting values of operating and environmental conditions, which should not be exceeded under the worst possible conditions.

Table 22. Absolute Maximum Ratings

Parameter	Symbol	Ratings	Unit	Note
Supply voltage	VDD	-0.3 to +4.0	V	–
Normal pin	V _I	-0.3 to VDD +0.3	V	Voltage on any pin with respect to VSS
	V _O	-0.3 to VDD +0.3	V	
	I _{OH}	-15	mA	Maximum current output sourced by (I _{OH} per I/O pin)
	ΣI _{OH}	-60	mA	Maximum current (ΣI _{OH})
	I _{OL}	20	mA	Maximum current sunk by (I _{OL} per I/O pin)
	ΣI _{OL}	80	mA	Maximum current (ΣI _{OL})
5V tolerant pin	V _I	-0.3 to +6.0	V	Voltage on any pin with respect to VSS
Total power dissipation	P _T	300	mW	–
Storage temperature	T _{STG}	-65 to +150	°C	–

17.2 Recommended operating conditions

Table 23. Recommended Operating Conditions

Parameter	Symbol	Conditions	Min	Max	Units		
Operating voltage	VDD	fx = 32 to 38KHz	Sub Clock		V		
		fx = 2.0 to 4.2MHz	Main Clock	Ceramic		2.2	3.6
		fx = 2.0 to 16MHz		Crystal		2.7	3.6
		fx = 2.0 to 32MHz	External Clock			3.0	3.6
		fx = 40KHz	Internal RC			1.65	3.6
		fx = 2.5 to 32MHz				1.65	3.6
Input voltage	VIN	Normal Pin		-0.3	VDD+0.3	V	
		5V tolerance Pins, PD[4:1]	2.0V ≤ VDD ≤ 3.6V		-0.3		5.5
			1.65V ≤ VDD < 2.0V		-0.3		5.0
Operating temperature	TOPR	VDD = 1.65 to 3.6V (Commercial grade)		-40	85	°C	
		VDD = 1.65 to 3.6V (Industrial grade)		-40	105		

17.3 ADC characteristics

Table 24. ADC Characteristics

(TA = 25°C)

Parameter	Symbol	Conditions	Min	Typ	Max	Units	
Resolution	–	–	–	12	–	bit	
Integral non-linearity	INL	AVDD=1.8V – 3.6V	–	–	±6	LSB	
Differential non-linearity	DNL		–	–	±1		
Zero offset error	ZOE		–	–	±5		
Full scale error	FSE		–	–	±5		
Integral non-linearity	INL	AVDD=1.65V – 3.6V	–	–	±6	LSB	
Differential non-linearity	DNL		–	–	±1.5		
Conversion time	t _{CONV}	AVDD=2.7V – 3.6V	1	–	–	μs	
		AVDD=1.8V – 3.6V	2	–	–		
		AVDD=1.65V – 3.6V	2	4	–		
Analog input voltage	V _{AN}	–	VSS	–	AVDD	V	
Analog voltage	AVDD	–	VDD-0.3	VDD	VDD+0.3	V	
ADC stabilization time	t _{STAB}	–	–	–	16	1/f _{ADC}	
Band gap reference buffer voltage	V _{ADCBUF}	–	900	950	1000	mV	
ADC input leakage current	I _{AN}	AVDD=3.0V	–	–	2	μA	
ADC current	I _{ADC}	Enable	AVDD=3.0V, f _{ADC} =16MHz	–	400	800	μA
		Disable		–	–	10	nA

NOTES:

1. Zero offset error is a difference between 0x000 and the converted output for zero input voltage (VSS).
2. Full scale error is a difference between 0xFFF and the converted output for top input voltage (VDD).

17.4 Power-on reset characteristics

Table 25. Power-on Reset Characteristics

Parameter	Symbol	Conditions	Min	Typ	Max	Units
Reset release level	V_{POR}	–	–	1.2	–	V
Hysteresis	ΔV	–	–	0.1	–	V
VDD voltage rising time	t_R	0.2V to 2.0V	0.05	–	100	V/ms
POR current	I_{POR}	–	–	21	40	nA

17.5 Comparator characteristics

Table 26. Comparator Characteristics

($T_A = 25^\circ\text{C}$)

Parameter	Symbol	Conditions	Min	Typ	Max	Units	
Input offset voltage	VOF	VDD=3.0V, VIN=1/2VDD	–	±4	±20	mV	
Operating voltage	VDD	All comparator pins except below	1.65	–	3.6	V	
		CP1P2, CP1P3, CP1P4, CP1P5	2.0	–	3.6		
Startup time	t_{START}	Fast Speed	–	15	20	µs	
		Slow Speed	–	20	25		
Propagation delay	t_{DELAY}	1.65V ≤ VDD ≤ 2.7V	Fast Speed	–	1.2	4	µs
		2.7V ≤ VDD ≤ 3.6V		–	0.8	2	
		1.65V ≤ VDD ≤ 2.7V	Slow Speed	–	2.5	6	
		2.7V ≤ VDD ≤ 3.6V		–	1.8	3.5	
Hysteresis	ΔV_+	VDD=3.0V, VIN- = 1/2VDD, HYSnEN=1	5	10	20	mV	
	ΔV_-		-20	-10	-5		
Minimum input level	V_{INMIN}	HYSnEN=1	50	–	–	mVp-p	
Reference resistors	R_{REF}	VDD=3.0V	21	30	39	KΩ	
Comparator current	ICMP	Enable, fast speed	VDD=3.0V	–	3.5	5	µA
		Enable, slow speed		–	1.0	2	
		Disable		–	–	0.02	

17.6 Low voltage reset/ indicator characteristics

Table 27. Low Voltage Reset Characteristics

(TA = 25°C)

Parameter	Symbol	Conditions	Min	Typ	Max	Units	
Detection level	V _{LVR} V _{LVI}	<ul style="list-style-type: none"> LVR: All levels, LVI: Other levels except 1.5V, 1.50V level: Rising edge voltage, Other levels: Falling edge voltage 	–	1.50	1.64	V	
			1.65	1.75	1.90		
			1.75	1.90	2.05		
			1.90	2.05	2.20		
			2.05	2.20	2.35		
			2.15	2.35	2.55		
			2.30	2.50	2.70		
2.45	2.65	2.85					
Hysteresis	ΔV	–	–	40	150	mV	
Minimum pulse width	t _{LVRW} t _{LVIW}	–	100	–	–	μ s	
LVR/LVI current	I _{LVR/LVI}	Enable, one of two	VDD = 3V	–	200	400	nA
		Enable, both		–	250	500	
		Disable		–	–	10	

17.7 High frequency internal RC oscillator characteristics

Table 28. High Frequency Internal RC Oscillator Characteristics

Parameter	Symbol	Conditions	Min	Typ	Max	Units
Frequency	f_{HIRC}	VDD = 1.65V to 3.6V	–	32	–	MHz
Accuracy	–	$T_A = 0\text{ }^{\circ}\text{C to } +50\text{ }^{\circ}\text{C}$	–	–	± 1.5	%
		$T_A = -40\text{ }^{\circ}\text{C to } +85\text{ }^{\circ}\text{C (commercial grade)}$	–	–	± 3.5	
		$T_A = -40\text{ }^{\circ}\text{C to } +105\text{ }^{\circ}\text{C (industrial grade)}$	–	–	± 4.5	
Clock duty ratio	T_{OD}	–	40	50	60	%
Stabilization time	t_{HFS}	–	–	–	2	μs
IRC current	I_{HIRC}	Enable	–	300	450	μA
		Disable	–	–	10	nA

17.8 Internal watchdog timer RC oscillator characteristics

Table 29. Internal Watchdog Timer RC Oscillator Characteristics

Parameter	Symbol	Conditions	Min	Typ	Max	Units
Frequency	f_{WDTRC}	–	34	40	46	KHz
Stabilization time	t_{WDTS}	–	–	–	100	μs
WDTRC current	I_{WDTRC}	Enable	–	450	650	nA
		Disable	–	–	10	

17.9 LCD voltage characteristics

Table 30. LCD Voltage Characteristics

Parameter	Symbol	Conditions	Min	Typ	Max	Units	
LCD voltage	VLC0	LCD contrast disabled, 1/4 bias	Typx0.95	VDD	Typx1.05	V	
		LCD contrast enabled, 1/4 bias, No Panel load	VLCD[3:0]=0x00	Typx0.94	VDDx32/47	Typx1.06	V
			VLCD[3:0]=0x01		VDDx32/46		
			VLCD[3:0]=0x02		VDDx32/45		
			VLCD[3:0]=0x03		VDDx32/44		
			VLCD[3:0]=0x04		VDDx32/43		
			VLCD[3:0]=0x05		VDDx32/42		
			VLCD[3:0]=0x06		VDDx32/41		
			VLCD[3:0]=0x07		VDDx32/40		
			VLCD[3:0]=0x08		VDDx32/39		
			VLCD[3:0]=0x09		VDDx32/38		
			VLCD[3:0]=0x0A		VDDx32/37		
			VLCD[3:0]=0x0B		VDDx32/36		
			VLCD[3:0]=0x0C		VDDx32/35		
			VLCD[3:0]=0x0D		VDDx32/34		
VLCD[3:0]=0x0E	VDDx32/33						
VLCD[3:0]=0x0F	VDDx32/32						
LCD mid bias voltage ^{NOTE}	VLC1	<ul style="list-style-type: none"> VDD = 2.7V to 3.6V LCD clock = 0Hz 1/4 bias, No panel load 	Typ-0.2	3/4xVLC0	Typ+0.2	V	
	VLC2		Typ-0.2	2/4xVLC0	Typ+0.2		
	VLC3		Typ-0.2	1/4xVLC0	Typ+0.2		
LCD driver output impedance	R _{Lo}	VLCD=3V	–	5	10	kΩ	
LCD bias dividing resistor	RLCD1	1/4 bias, T _A = 25°C	7	11	15	kΩ	
	RLCD2		35	50	65		
	RLCD3		56	80	104		
	RLCD4		168	240	312		

NOTE: It is the middle output voltage when the VDD and the VLC0 node are connected.

17.10 DC electrical characteristics

Table 31. DC Electrical Characteristics

Parameter	Symbol	Conditions	Min	Typ	Max	Units
Input High Voltage	V_{IH}	All input pins, nRESET	0.8VDD	–	VDD	V
Input Low Voltage	V_{IL}	All input pins, nRESET	–	–	0.2VDD	V
Input hysteresis	ΔV	All input pins, nRESET, VDD=3V	100	200	–	mV
Output High Voltage	V_{OH}	VDD=3V, $I_{OH} = -10\text{mA}$, $T_A=25^\circ\text{C}$	VDD-1.0	–	–	V
Output Low Voltage	V_{OL}	VDD=3V, $I_{OL} = 10\text{mA}$, $T_A=25^\circ\text{C}$	–	–	1.0	V
Input high leakage current	I_{IH}	All Input ports	–	–	1	μA
Input low leakage current	I_{IL}	All Input ports	– 1	–	–	μA
Pull-up resistor	R_{PU}	$V_I=0\text{V}$, $T_A=25^\circ\text{C}$, VDD=3V All Input ports	25	50	100	k Ω
		$V_I=0\text{V}$, $T_A=25^\circ\text{C}$, VDD=3V RESETB	150	250	400	
Pull-down resistor	R_{PD}	$V_I=V_{DD}$, $T_A=25^\circ\text{C}$, VDD=3V All Input ports	25	50	100	k Ω
OSC feedback resistor	R_{X1}	XIN=VDD, XOUT=VSS, $T_A=25^\circ\text{C}$, VDD=3V	0.6	1.2	2.0	M Ω
	R_{X2}	$T_A=25^\circ\text{C}$, VDD=3V	4.0	7.0	14.0	M Ω

17.11 Supply current characteristics

Table 32. Supply Current Characteristics

Parameter	Symbol	Conditions	Typ	Max	Units		
Supply current	I _{DD1} (main run)	f _{HIRC} = 32MHz	VDD=3V, Code executed from flash	2.5	3.8	mA	
		f _{HIRC} = 16MHz		1.6	2.4		
		f _{HIRC} = 8MHz		TA=85°C	1.1		1.6
		f _{XIN} = 16MHz			1.5		2.3
		f _{HIRC} = 32MHz			VDD=3V, Code executed from RAM, Flash power off		2.3
		f _{HIRC} = 16MHz		1.4			2.1
	f _{XIN} = 16MHz	1.4	2.1				
	I _{DD2} (main sleep)	f _{HIRC} = 32MHz	VDD=3V, Sleep in flash	1.3	2.0	mA	
				f _{HIRC} = 16MHz	0.8		1.2
				f _{XIN} = 16MHz	0.8		1.2
		f _{HIRC} = 32MHz	VDD=3V, Sleep in RAM, Flash power off	1.3	2.0	mA	
				f _{HIRC} = 16MHz	0.8		1.2
f _{XIN} = 16MHz				0.8	1.2		
I _{DD3} (sub run)	f _{SUB} = 32.768KHz (C _L : 7pF), or f _{WDTRC} = 40KHz	T _A =25°C	VDD=3V Code executed from flash	12.0	20.0	uA	
				T _A =85°C	18.0		30.0
				T _A =105°C	30.0		50.0
		T _A =25°C	VDD=3V, Code executed from RAM, Flash power off	9.0	15.0	uA	
				T _A =85°C	15.0		35.0
				T _A =105°C	22.0		55.0
I _{DD4} (sub sleep)	f _{SUB} = 32.768KHz (C _L : 7pF), or f _{WDTRC} = 40KHz	T _A =25°C	VDD=3V, Sleep in flash	2.0	5.0	uA	
		T _A =85°C	6.0	18.0			
		T _A =105°C	12.0	30.0			
I _{DD5} (deep sleep)	VDD=3V PMU_PWRCR.ALLPWR=0	T _A =25°C	0.65	1.5	uA		
		T _A =85°C	4.5	9.0			
		T _A =105°C	11.0	25.0			
	VDD=3V PMU_PWRCR.ALLPWR=1	T _A =25°C	0.6	1.0	uA		
		T _A =85°C	2.0	4.0			
		T _A =105°C	4.5	9.0			
	PMU_PWRCR.ALLPWR=0	VDD=3V, T _A =25°C, RTCC/f _{SUB} On	1.3	1.9	uA		
			PMU_PWRCR.ALLPWR=1	1.2		1.7	

NOTES:

1. Where the f_{XIN} is an external main oscillator, the f_{SUB} is an external sub oscillator (ISET_I[2:0] = 0x5), the f_{HIRC} is a high frequency internal RC oscillator, and the fx is the selected system clock.
2. All supply current items don't include the current of an internal watch-dog timer RC (WDTRC) oscillator and a peripheral block except when explicitly mentioned.
3. All supply current items include the current of the power-on reset (POR) block.

17.12 AC characteristics

Table 33. AC Characteristics

Parameter	Symbol	Conditions	Min	Typ	Max	Units
RESETB input low width	t _{RST}	VDD = 3 V	10	–	–	μs
Interrupt input high, low width	t _{IWH} , t _{IWL}	All interrupts, VDD = 3 V	50	–	–	ns
External counter input high, low pulse width	t _{ECWH} , t _{ECWL}	VDD = 3 V All external counter input	1	–	–	1/f _{PCLK}
External counter transition time	t _{REC} , t _{FEC}	ECn, VDD = 3 V All external counter input	–	–	10	ns
I/O frequency	f _{IO1}	VDD = 3.0V, C _L = 30pF, All except f _{IO2}	–	–	10	MHz
	f _{IO2}	VDD = 2.7V, C _L = 30pF, SPI pins	–	–	16	

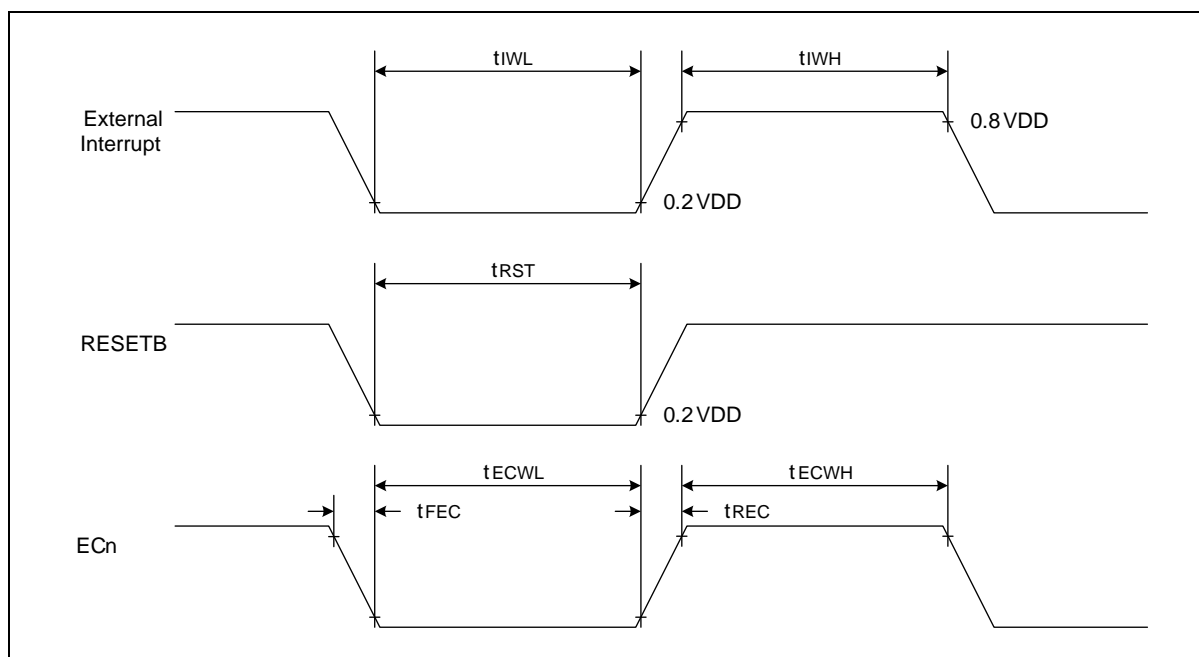


Figure 43. AC Timing

17.13 SPI characteristics

Table 34. SPI Characteristics

Parameter	Symbol	Conditions	Min	Typ	Max	Units	
SPI clock frequency	f _{SCK}	VDD ≥ 2.7V	Internal SCK source	–	–	16	MHz
			External SCK source	–	–		
	f _{SCK}	VDD ≥ 1.71V	Internal SCK source	–	–	12	
			External SCK source	–	–		
	f _{SCK}	VDD ≥ 1.65V	Internal SCK source	–	–	8	
			External SCK source	–	–		
Input/output clock high, low pulse width	t _{SCKH}	Internal/External SCK source	0.8*Typ	t _{SCK} /2	1.2*Typ	ns	
	t _{SCKL}						
First output clock delay time	t _{FOD}	Internal/External SCK source, CPHA = 0	0.4*t _{SCK}	–	–		
Output clock delay time	t _{DS}	–	–	–	18		
Input setup time	t _{DIS}	–	13	–	–		
Input hold time	t _{DIH}	–	15	–	–		

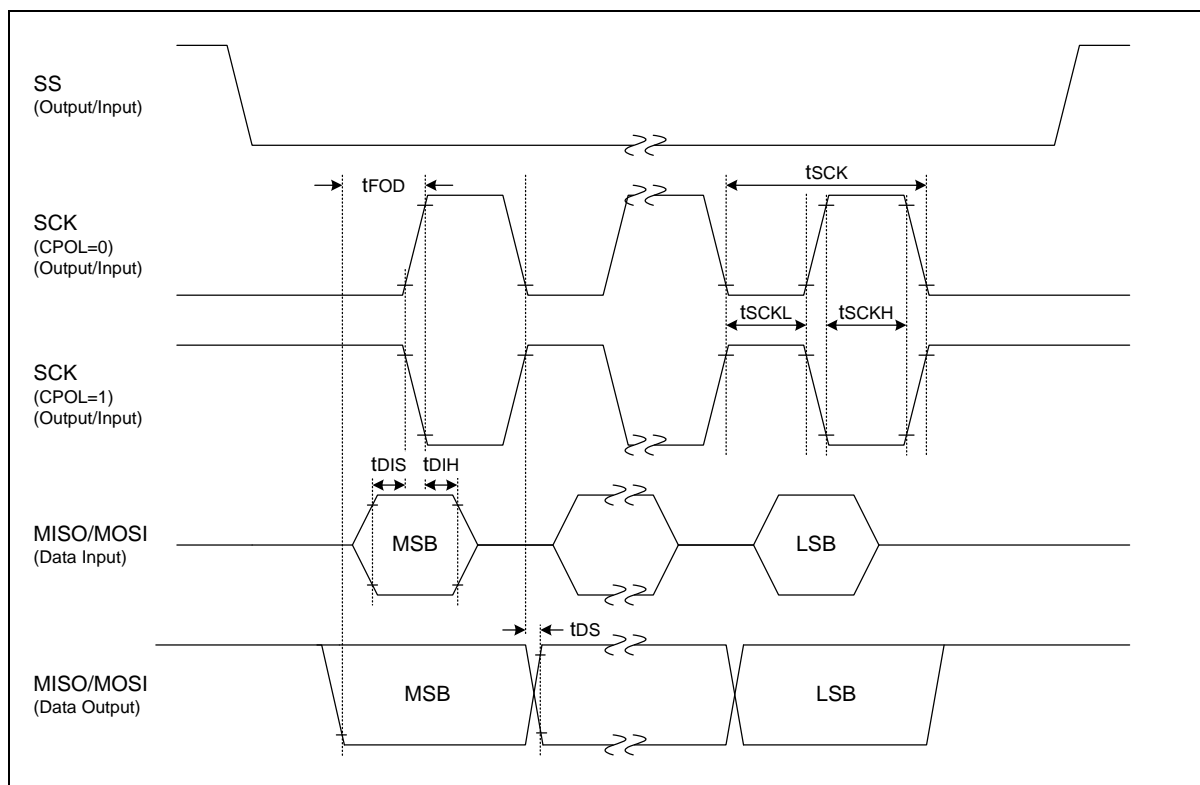


Figure 44. SPI Timing

17.14 I2C characteristics

Table 35. I2C Characteristics

Parameter	Symbol	Standard		Fast		Fast Plus		Units
		Min	Max	Min	Max	Min	Max	
I2C operating voltage	–	VDD ≥ 1.65V		VDD ≥ 2V		VDD ≥ 2.7V		–
Clock frequency	t _{SCL}	0	100	0	400	0	1000	KHz
Clock high pulse width	t _{SCLH}	4.0	–	0.6	–	0.26	–	μs
Clock low pulse width	t _{SCLL}	4.7	–	1.3	–	0.5	–	
Bus free time	t _{BF}	4.7	–	1.3	–	0.5	–	
Start condition setup time	t _{STSU}	4.7	–	0.6	–	0.26	–	
Start condition hold time	t _{STHD}	4.0	–	0.6	–	0.26	–	
Stop condition setup time	t _{SPSU}	4.0	–	0.6	–	0.26	–	
Stop condition hold time	t _{SPHD}	4.0	–	0.6	–	0.26	–	
Output Valid from Clock	t _{VD}	0	–	0	–	0	–	
Data input hold time	t _{DIH}	0	–	0	1.0	0	0.45	
Data input setup time	t _{DIS}	250	–	100	–	50	–	

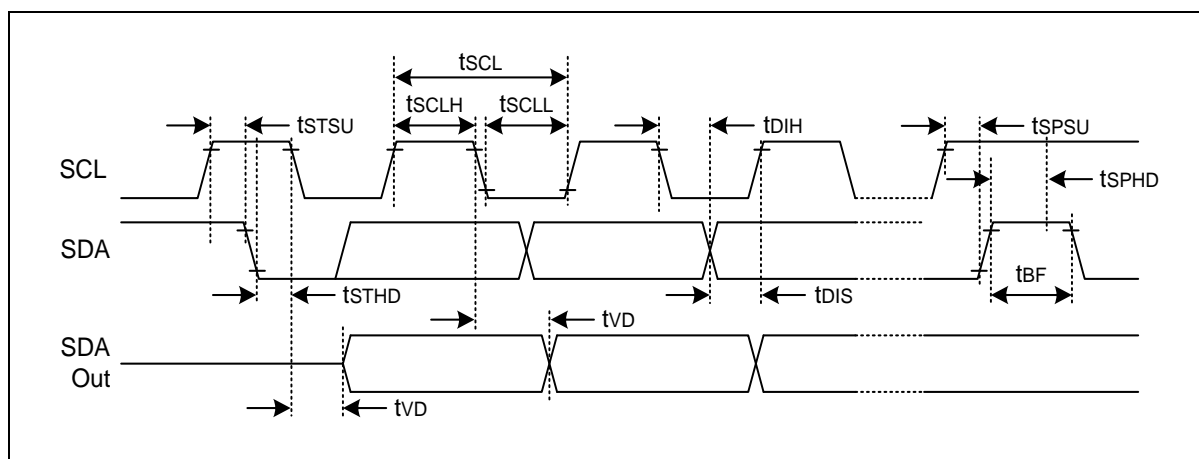


Figure 45. I2C Timing

17.15 UART timing characteristics

Table 36. UART Timing Characteristics

Parameter	Symbol	Min	Typ	Max	Units
Serial port clock cycle time	t_{SCK}	–	–	2000	KHz
Output data setup to clock rising edge	t_{S1}	$t_{SCK} \times 12/16$	–	–	ns
Clock rising edge to input data valid	t_{S2}	–	–	$t_{SCK} \times 13/16$	
Output data hold after clock rising edge	t_{H1}	–	–	50	
Input data hold after clock rising edge	t_{H2}	0	–	–	
Serial port clock High, Low level width	t_{HIGH} , t_{LOW}	$t_{SCK} \times 6/16$	$t_{SCK} \times 8/16$	$t_{SCK} \times 10/16$	

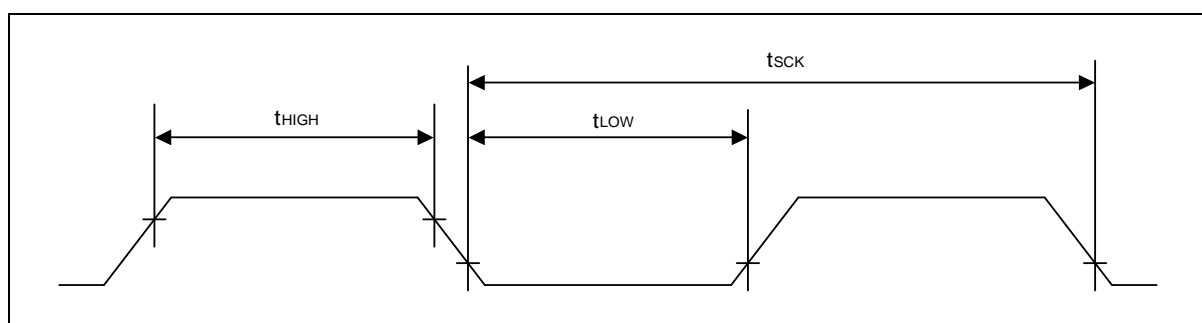


Figure 46. UART Timing Characteristics

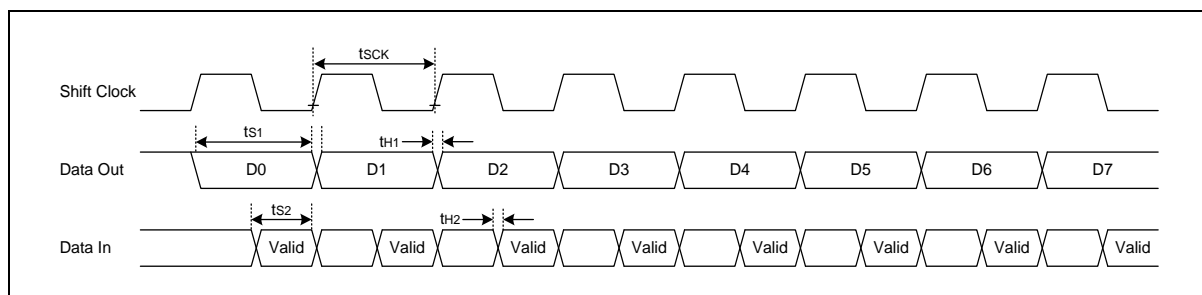


Figure 47. Timing Waveform of UART Module

17.16 Data retention voltage in Stop mode

Table 37. Data Retention Voltage in Stop Mode

Parameter	Symbol	Conditions	Min	Typ	Max	Units
Data retention supply voltage	V _{DDDR}	–	1.65	–	3.6	V
Data retention supply current	I _{DDDR}	<ul style="list-style-type: none"> V_{DDDR} = 1.65V (T_A=25°C) Deep sleep mode 	–	–	1	μA

17.17 Internal flash characteristics

Table 38. Internal Flash Characteristics

Parameter	Symbol	Conditions	Min	Typ	Max	Units	
Page write time	t _{FSW}	–	–	3.0	3.5	ms	
Page erase time	t _{FSE}	–	–	3.0	3.5		
Chip erase time	t _{FCE}	–	–	3.0	3.5		
Flash program voltage	V _{PGM}	On erase/write	2.0	–	3.6	V	
System clock frequency	f _{HCLK}	–	2.0	–	–	MHz	
Endurance of Write/Erase	NF _{WE}	<ul style="list-style-type: none"> Page 0 to 511 Configure Option Page 1 	T _A =25 °C, Page unit	10,000	–	–	Cycles
		Configure Option Page 2/3		100,000			
Retention time	t _{RT}		10	–	–	Years	

17.18 Input/ output capacitance

Table 39. Input/ Output Capacitance

(VDD = 0V)

Parameter	Symbol	Conditions	Min	Typ	Max	Units
Input capacitance	C _{IN}	<ul style="list-style-type: none"> f=1MHz Unmeasured pins are connected VSS 	–	–	10	pF
Output capacitance	C _{OUT}					
I/O capacitance	C _{IO}					

17.19 Main oscillator characteristics

Table 40. Main Oscillator Characteristics

(VDD = 2.2V to 3.6V)

Oscillator	Parameter	Conditions	Min	Typ	Max	Units
Crystal	Main oscillation frequency	2.7 V to 3.6 V	2.0	–	16.0	MHz
Ceramic Oscillator	Main oscillation frequency	2.2 V to 3.6 V	2.0	–	4.2	MHz
		2.7 V to 3.6 V	2.0	–	16.0	
External Clock	XIN input frequency	3.0 V to 3.6 V	2.0	–	32.0	MHz
	External Clock Duty Ratio	–	45	50	55	%

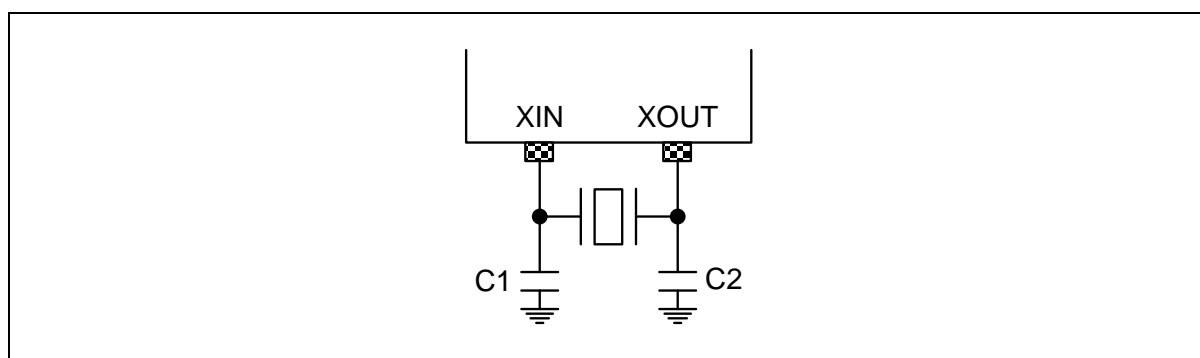


Figure 48. Crystal/Ceramic Oscillator

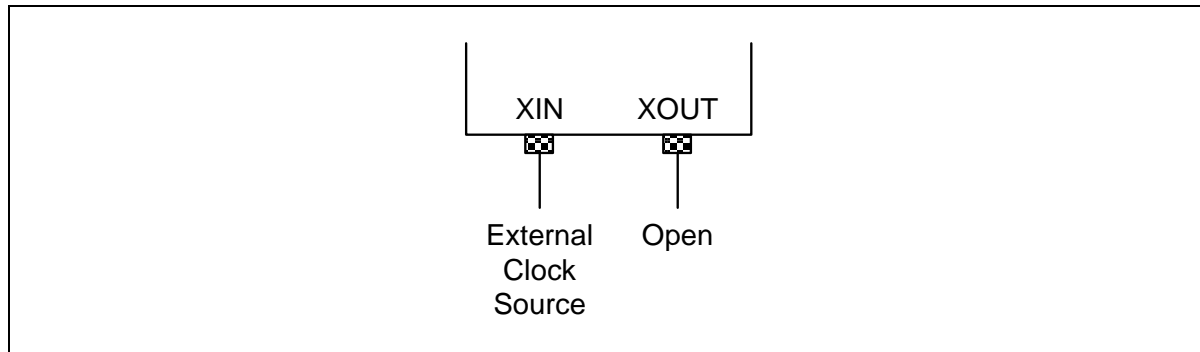


Figure 49. External Clock

17.20 Sub-oscillator characteristics

Table 41. Sub-oscillator Characteristics

Oscillator	Parameter	Conditions	Min	Typ	Max	Units
Crystal	Sub oscillation frequency	1.65 V to 3.6 V	32	32.768	38	kHz

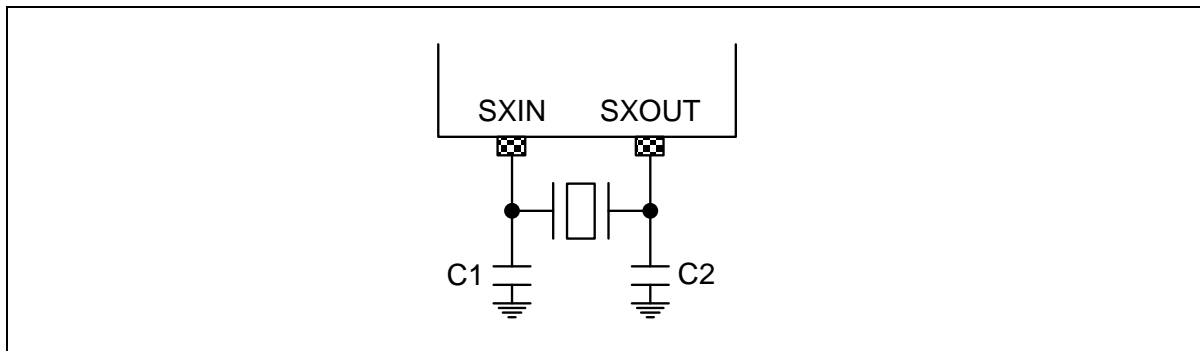


Figure 50. Crystal Oscillator

17.21 Main oscillation stabilization time

Table 42. Main Oscillation Stabilization Time

(VDD = 2.2V to 3.6V)

Oscillator	Conditions	Min	Typ	Max	Units	
Crystal	<ul style="list-style-type: none"> $f_{XIN} \geq 2$ MHz Oscillation stabilization occurs when VDD is equal to the minimum oscillator voltage range. 	VDD = 2.7V to 3.6V	–	–	60	ms
Ceramic		VDD = 2.2V to 3.6V	–	–	10	
external clock	<ul style="list-style-type: none"> $f_{XIN} = 2.0$ to 32 MHz XIN input high and low width (t_{XL}, t_{XH}) 	12.5	–	250	ns	

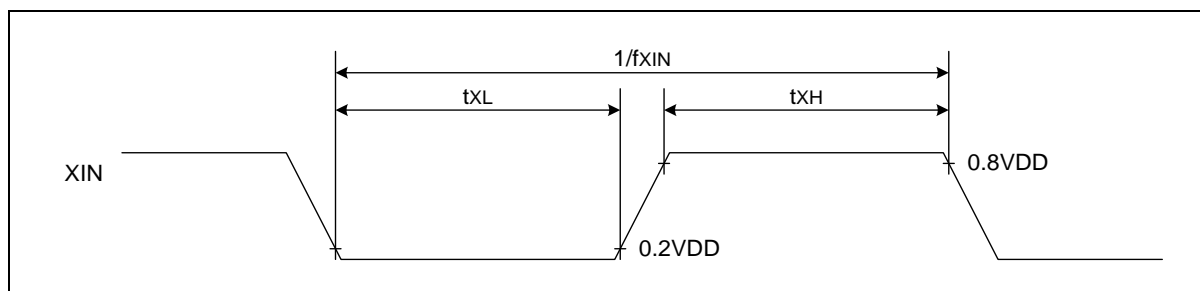


Figure 51. Clock Timing Measurement at XIN

17.22 Sub-oscillation stabilization time

Table 43. Sub-oscillation Stabilization Time

Oscillator	Conditions	Min	Typ.	Max	Units
Crystal	–	–	–	10	sec
	VDD=3V, T _A =25 °C, ISET_I[2:0] = 0x7	–	0.7	1.5	
External clock	SXIN input high and low width (t _{XL} , t _{XH})	5	–	15	μs

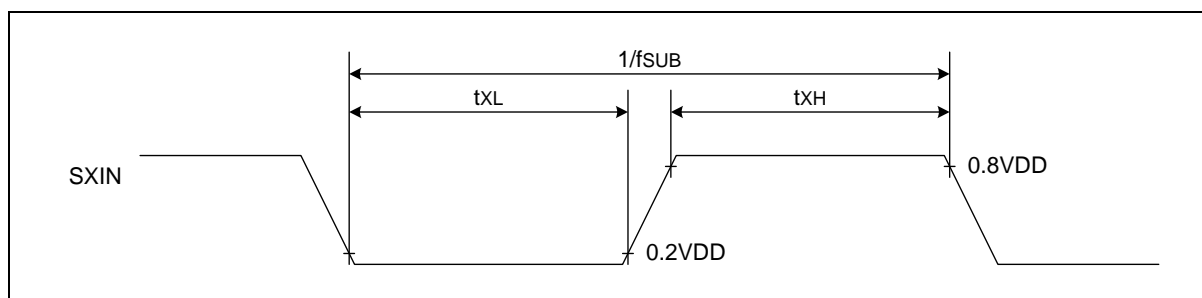


Figure 52. Clock Timing Measurement at SXIN

17.23 Operating voltage range

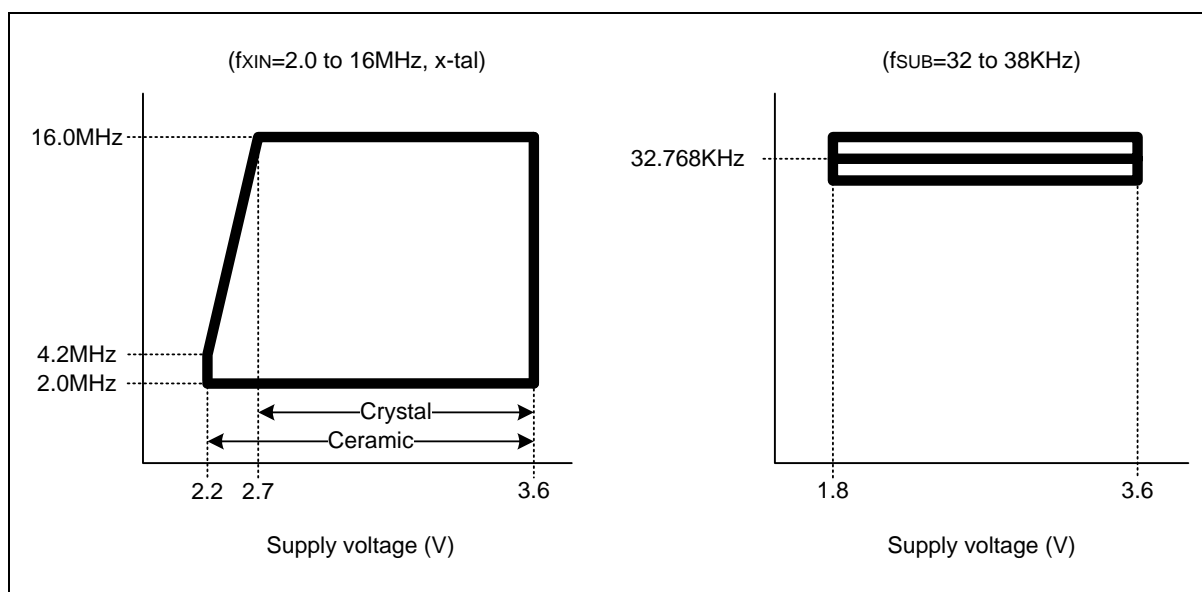


Figure 53. Operating Voltage Range

17.24 Recommended circuit and layout

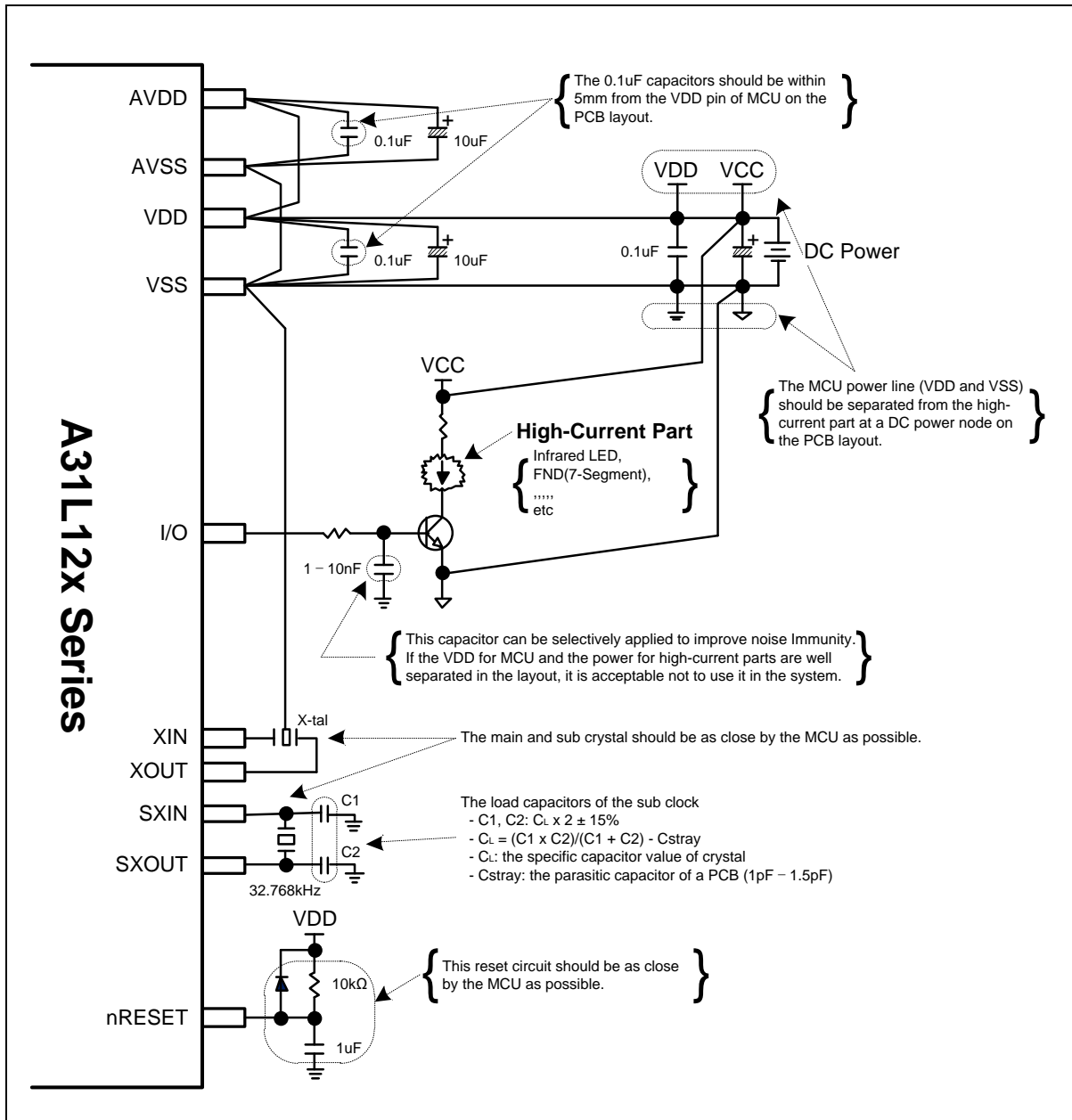


Figure 54. Recommended Circuit and Layout

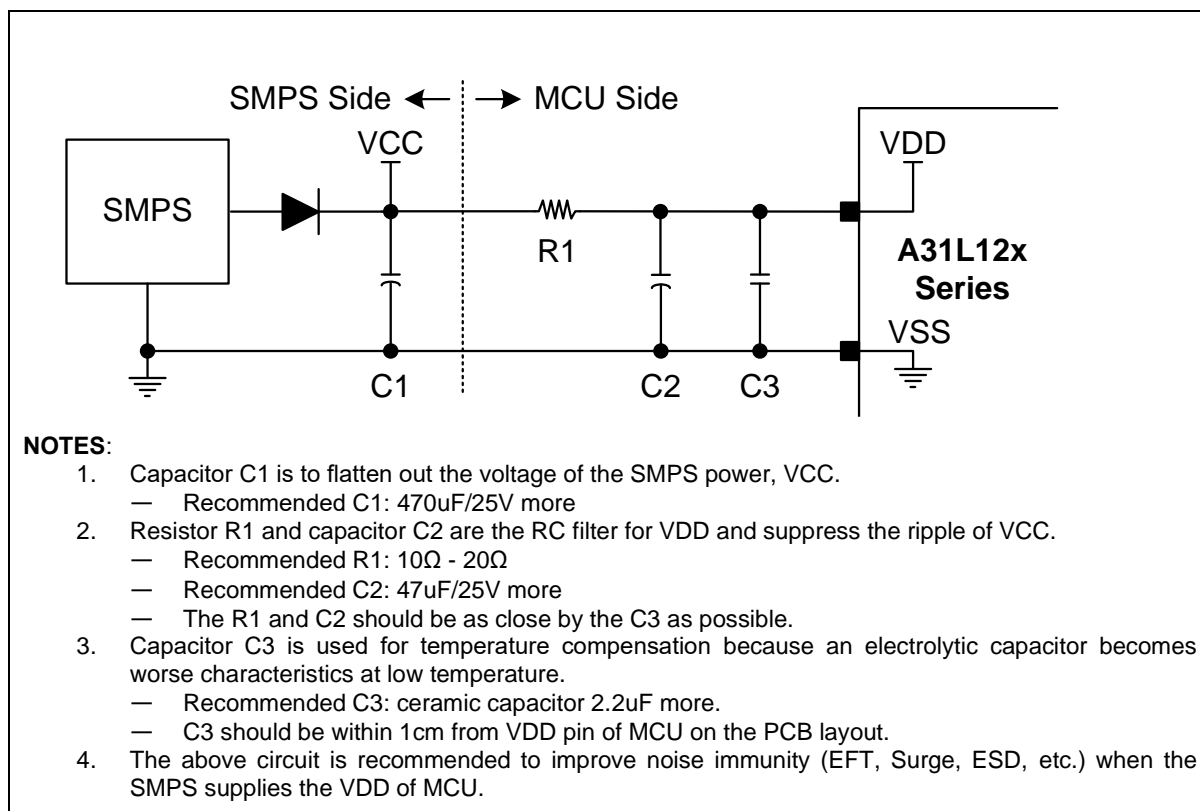


Figure 55. Recommended Circuit and Layout with SMPS Power

18 Package information

18.1 64 LQFP package information

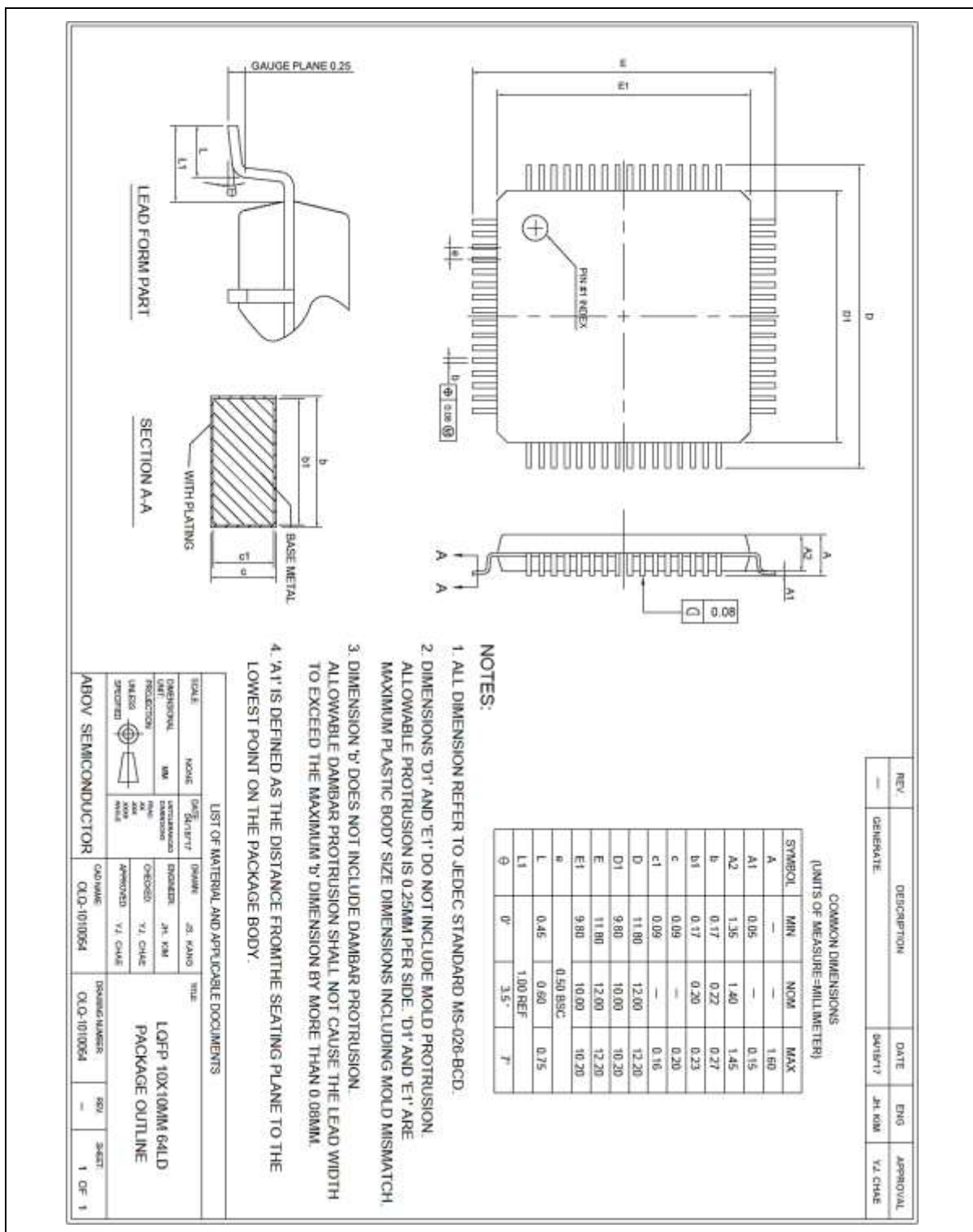


Figure 56. 64 LQFP 10 x 10 Package Outline

18.2 48 LQFP package information

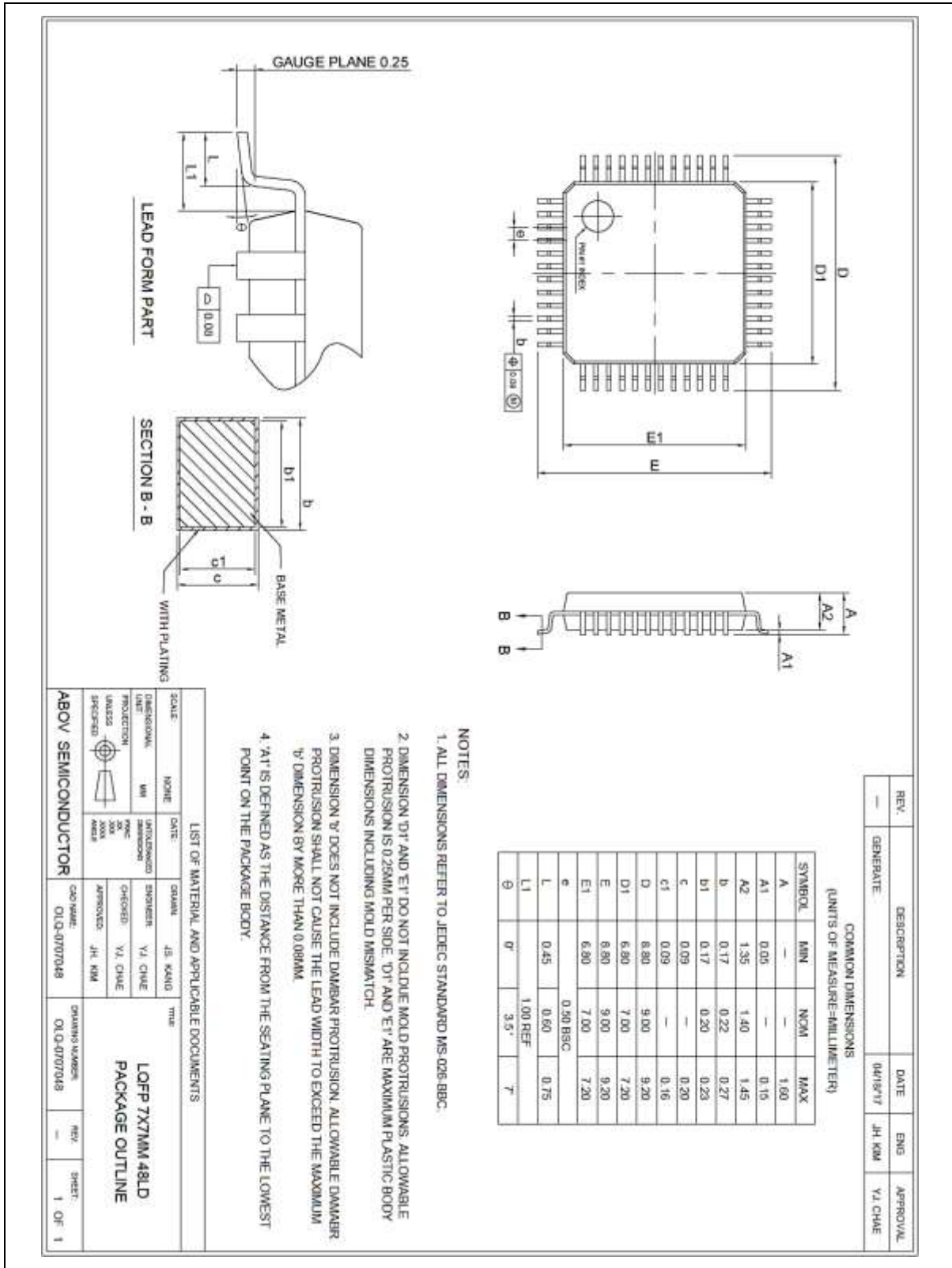


Figure 57. 48 LQFP 07 x 07 Package Outline

18.3 32 LQFP package information

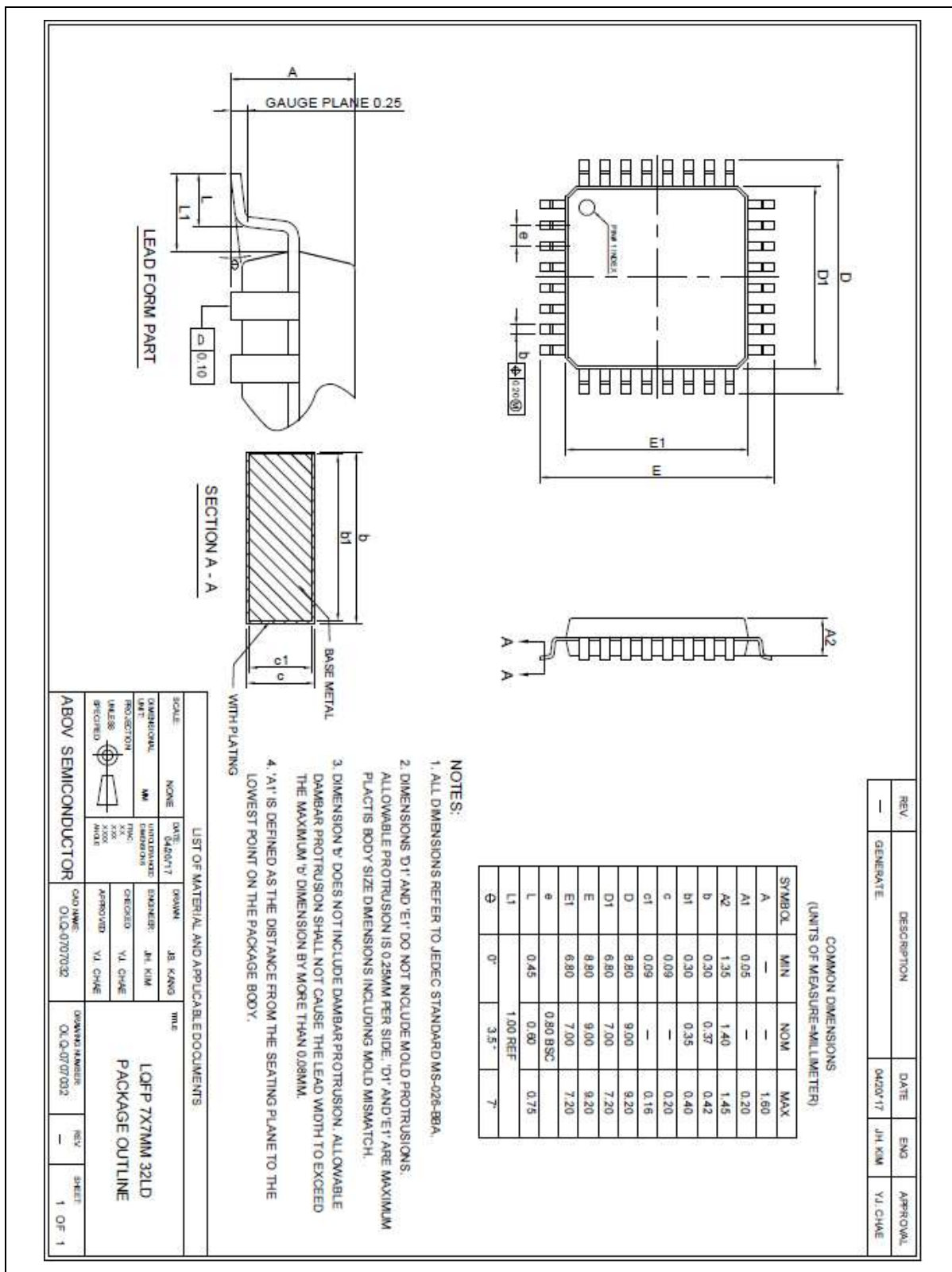


Figure 58. 32 LQFP 07 x 07 Package Outline

18.4 32 QFN package information

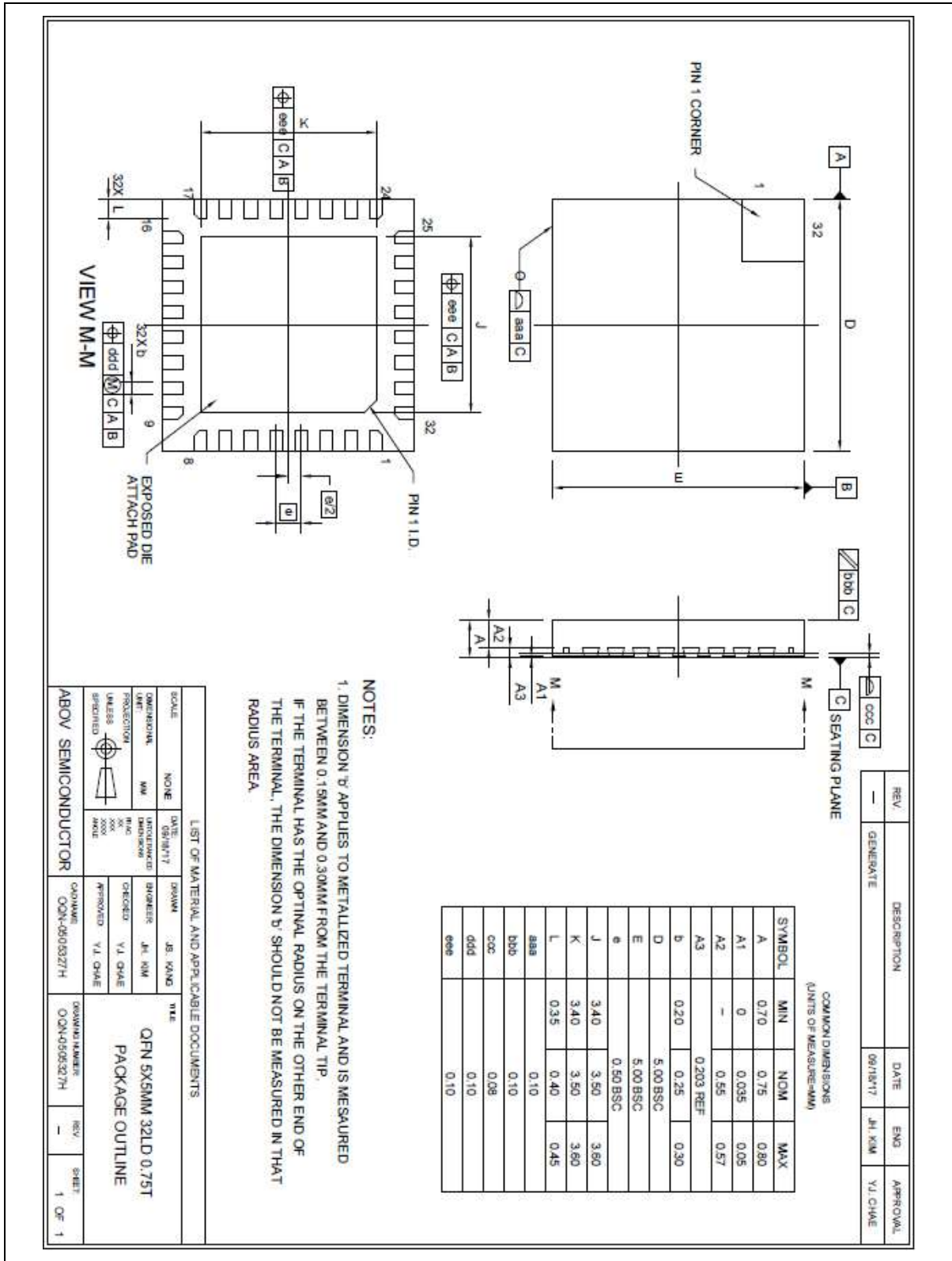


Figure 59. 32 QFN 05 x 05 Package Outline

18.5 28 TSSOP package information

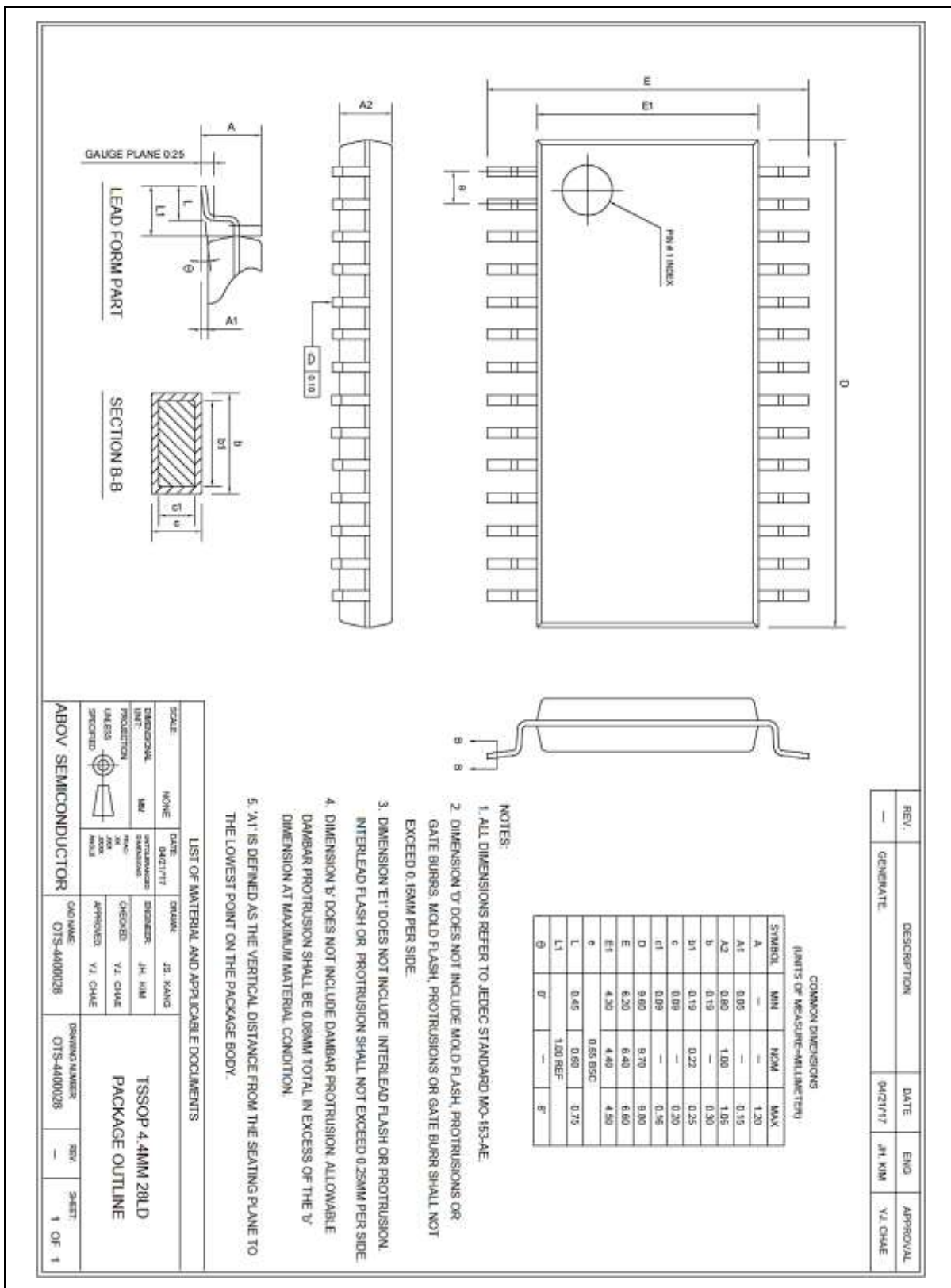


Figure 60. 28 TSSOP Package Outline

18.6 24 QFN package information

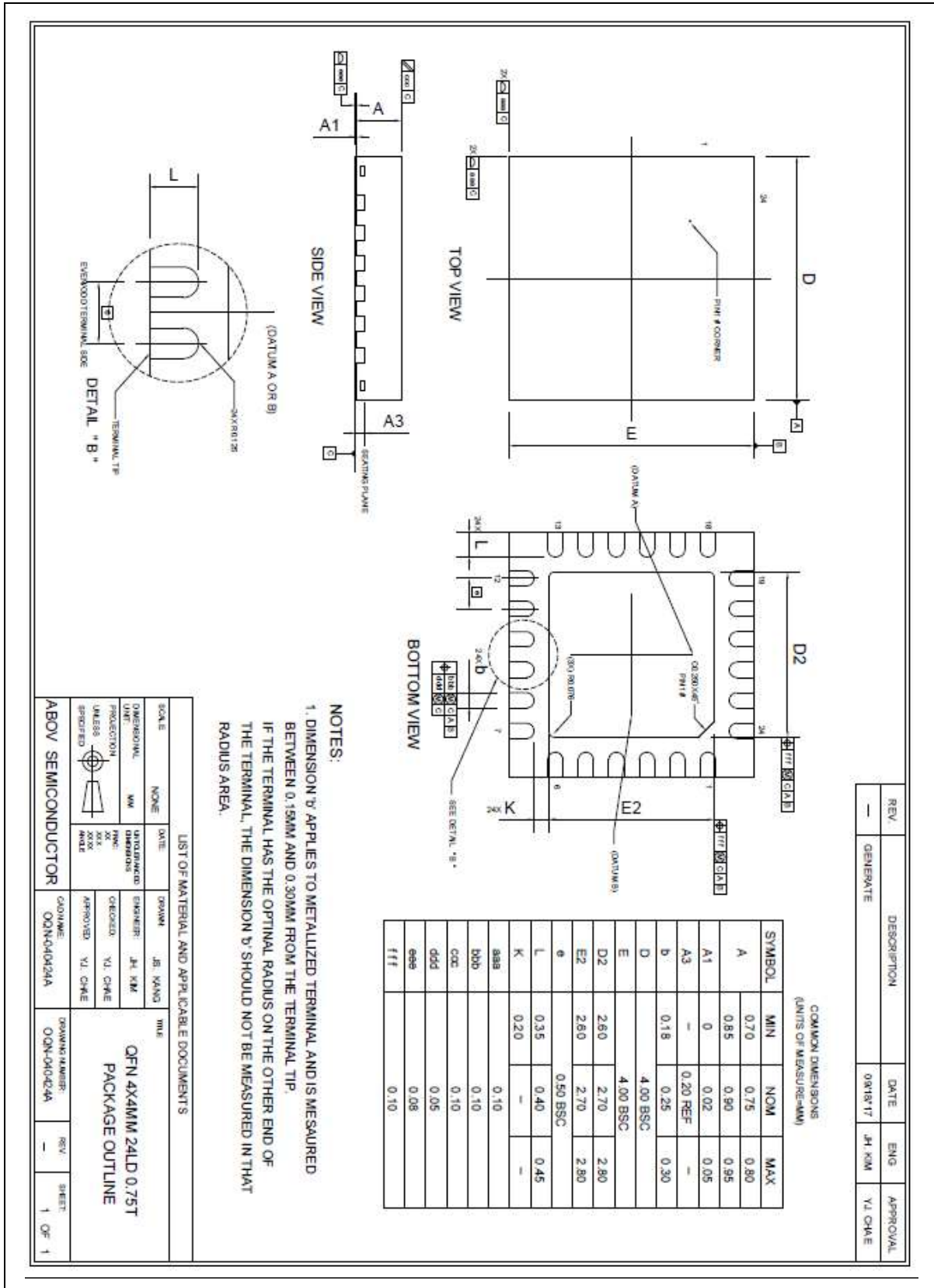


Figure 61. 24 QFN 04 x 04 Package Outline

19 Ordering information

Table 44. A31L12x Series Ordering Information

Part Number	Flash	SRAM	USART	UART	LPUART	SC	I2C	SPI	TIMER	ADC	I/O	Package
A31L123RL	64KB	8KB	1	2	1	2	2	2	5	16ch	52	64LQFP-1010
A31L123CL*	64KB	8KB	1	2	1	2	2	1	5	10ch	38	48LQFP-0707
A31L123KN*	64KB	8KB	1	2	0	2	1	1	5	10ch	26	32LQFP-0707
A31L123KU*	64KB	8KB	1	2	0	2	1	1	5	10ch	28	32QFN-0505
A31L123GR*	64KB	8KB	1	1	0	1	1	1	4	9ch	24	28TSSOP
A31L123LU*	64KB	8KB	1	1	0	0	1	1	4	9ch	20	24QFN
A31L122RL*	32KB	8KB	1	2	1	2	2	2	5	16ch	52	64LQFP-1010
A31L122CL*	32KB	8KB	1	2	1	2	2	1	5	10ch	38	48LQFP-0707
A31L122KN*	32KB	8KB	1	2	0	2	1	1	5	10ch	26	32LQFP-0707
A31L122KU*	32KB	8KB	1	2	0	2	1	1	5	10ch	28	32QFN-0505
A31L122GR*	32KB	8KB	1	1	0	1	1	1	4	9ch	24	28TSSOP
A31L122LU*	32KB	8KB	1	1	0	0	1	1	4	9ch	20	24QFN

* For available options or further information on the devices with "*" marks, please contact [the ABOV Sales Office](#).

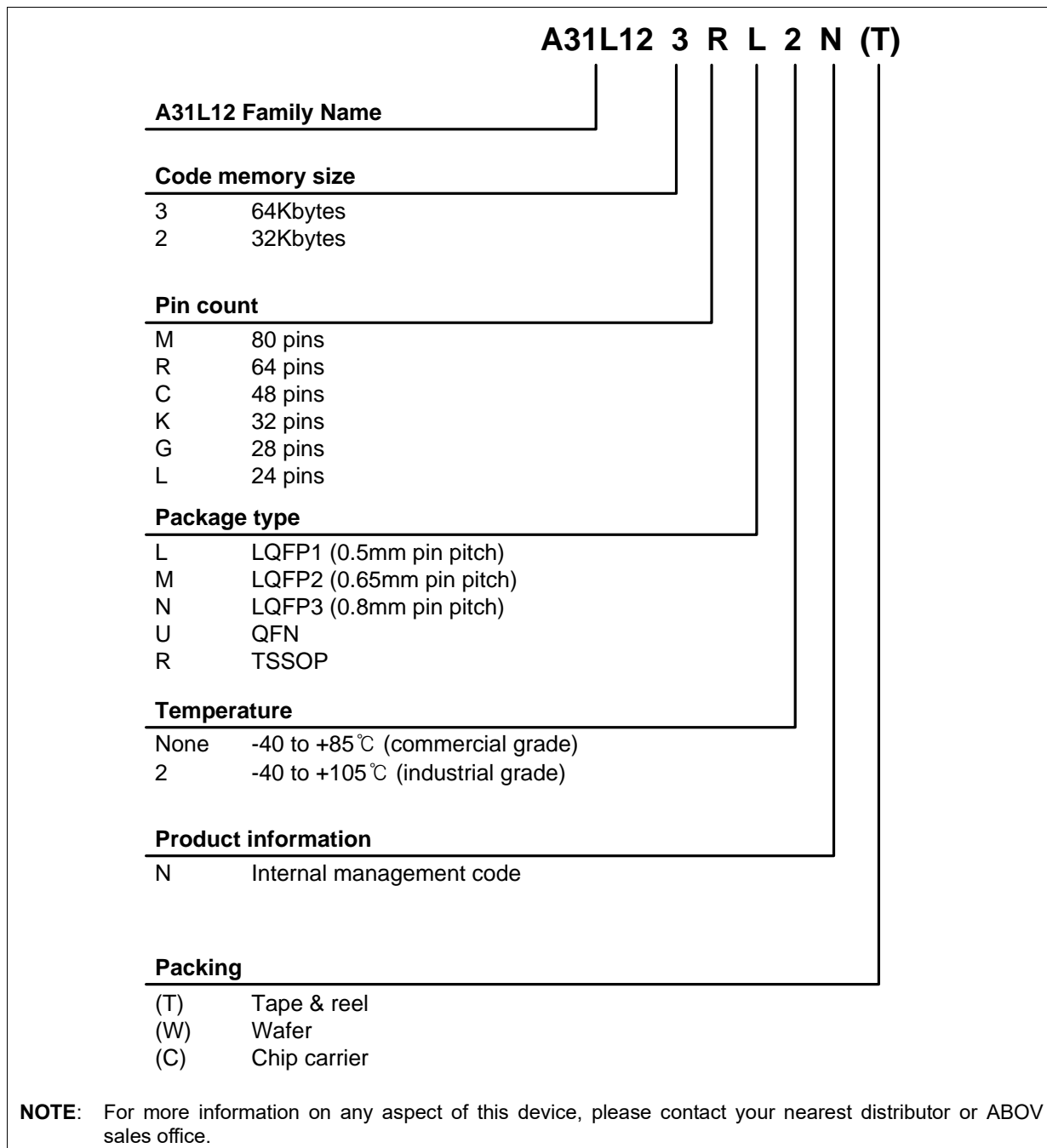


Figure 62. A31L12x Series Numbering Nomenclature

Revision history

Date	Version	Description
Feb.4, 2020	1.00	1 st creation
Jul.2, 2020	1.10	Add a IDD1 8MHz condition in chapter 17.11 Supply current characteristics.
Dec.1, 2020	1.20	Add a note about using WFI/WFE Instruction. Fix condition about sub OSC feedback resistor (RX2), "Chapter 17.10 DC electrical characteristics". Remove a item about "sub external clock", "Chapter 17.20 Sub-oscillator characteristics". Remove a 'XTFLSR register'. Add a note about disabling "clock monitoring function", "Chapter 5.6.19 SCU_CMONCR", clock monitoring control register in the user's manual. Add a note about USTnEN bit, "Chapter 14.3.2 USARTn_CR2", USARTn control register 2 in the user's manual. Add a note about SPInEN bit, "Chapter 18.3.1.1 SPIn_CR", SPIn control register in the user's manual.
Mar.2, 2021	1.21	Add contents about RTCC time error correction in the user's manual. Add a note about RXEn bit, "Chapter 19.3.1 SCn_CR1: SCn control register 1" in the user's manual. Add a note about TRERIFGn bit, "Chapter 22.2.2 DMACHn_IESR: DMA channel n interrupt enable and status register" in the user's manual. Add a note about ADATA bits, "Chapter 12.3.4 ADC_DR: A/D converter data register" in the user's manual. Typos modify.
Jul.5, 2022	1.22	Add a note about WUTIFLAG bit, "Chapter 5.6.10 SCU_WUTCR: wake-up timer control register" in the user's manual. Add a note about Timer 50's wake-up source, "Figure 28. Timer Counter 50 Block Diagram". Typos modify.
Oct.24, 2022	1.30	Change the document format.
Nov.18, 2022	1.40	Add TSSOP28, QFN24 Packages.

Korea

Regional Office, Seoul
R&D, Marketing & Sales
8th Fl., 330, Yeongdong-daero,
Gangnam-gu, Seoul,
06177, Korea

Tel: +82-2-2193-2200

Fax: +82-2-508-6903

www.abovsemi.com

Domestic Sales Manager

Tel: +82-2-2193-2206

Fax: +82-2-508-6903

Email: sales_kr@abov.co.kr

HQ, Ochang
R&D, QA, and Test Center
93, Gangni 1-gil, Ochang-eup,
Cheongwon-gun,
Chungcheongbuk-do,
28126, Korea

Tel: +82-43-219-5200

Fax: +82-43-217-3534

www.abovsemi.com

Global Sales Manager

Tel: +82-2-2193-2281

Fax: +82-2-508-6903

Email: sales_gl@abov.co.kr

China Sales Manager

Tel: +86-755-8287-2205

Fax: +86-755-8287-2204

Email: sales_cn@abov.co.kr

ABOV Disclaimer**IMPORTANT NOTICE – PLEASE READ CAREFULLY**

ABOV Semiconductor ("ABOV") reserves the right to make changes, corrections, enhancements, modifications, and improvements to ABOV products and/or to this document at any time without notice. ABOV does not give warranties as to the accuracy or completeness of the information included herein. Purchasers should obtain the latest relevant information of ABOV products before placing orders. Purchasers are entirely responsible for the choice, selection, and use of ABOV products and ABOV assumes no liability for application assistance or the design of purchasers' products. No license, express or implied, to any intellectual property rights is granted by ABOV herein. ABOV disclaims all express and implied warranties and shall not be responsible or liable for any injuries or damages related to use of ABOV products in such unauthorized applications. ABOV and the ABOV logo are trademarks of ABOV. All other product or service names are the property of their respective owners. Information in this document supersedes and replaces the information previously supplied in any former versions of this document.

© 2020 ABOV Semiconductor – All rights reserved